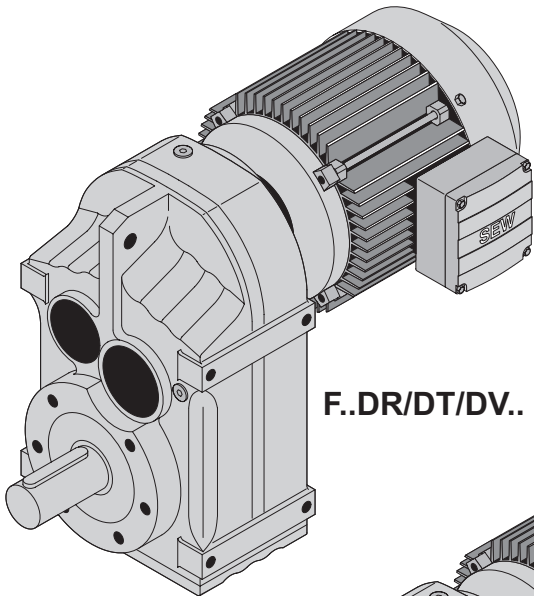
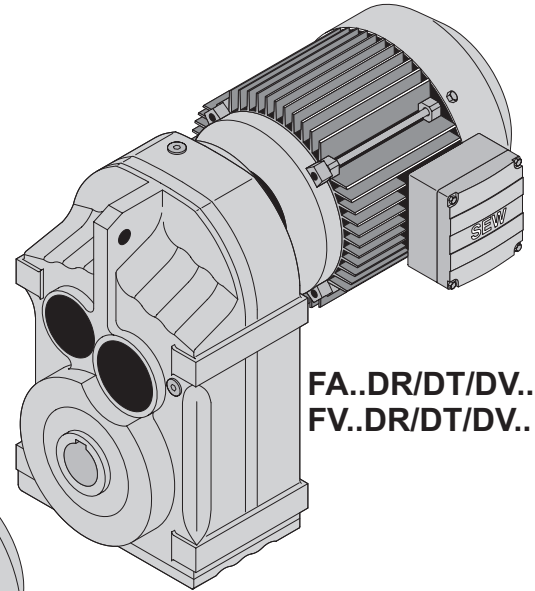


9 F..DR/DT/DV

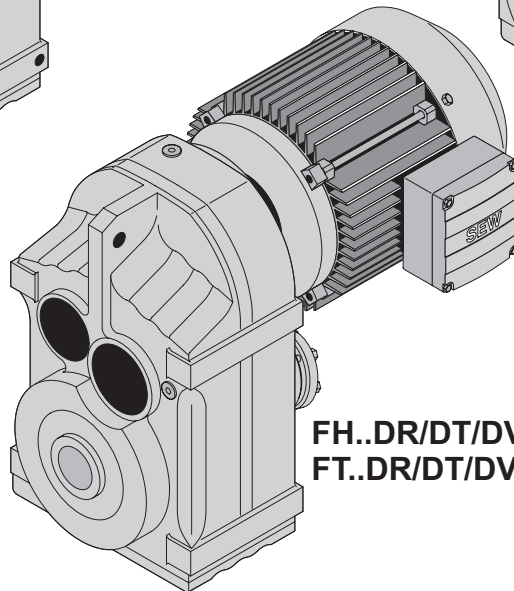
9.1 F, FA..(B), FV..(B), FH..(B), FT, FF, FAF, FVF, FHF, FAZ, FVZ..DR/DT/DV



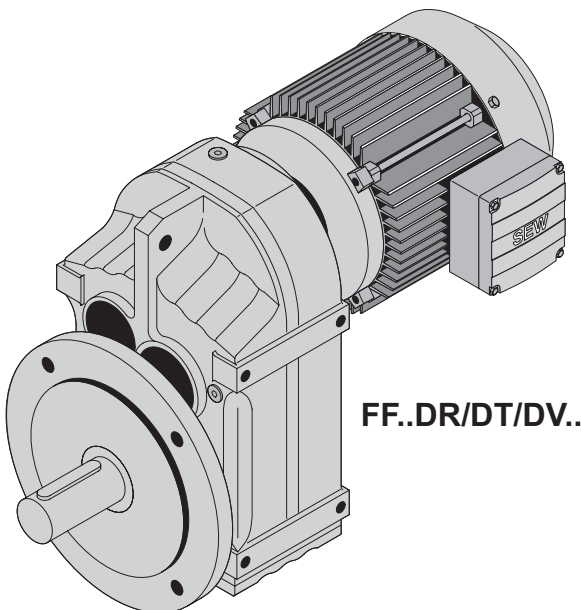
F..DR/DT/DV..



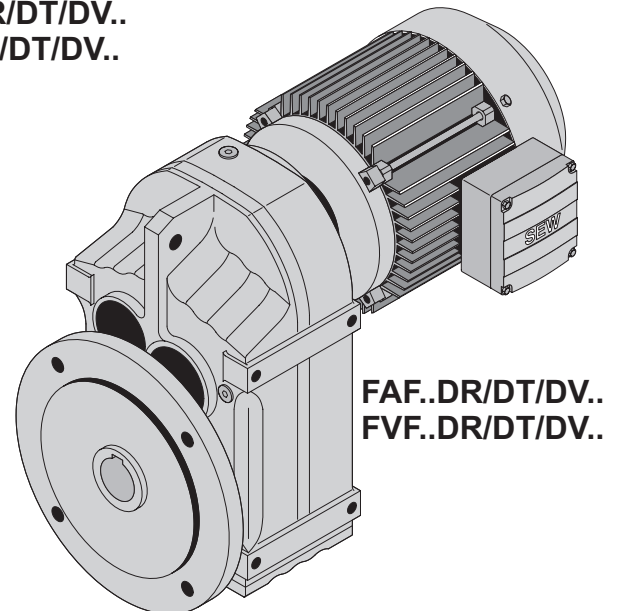
FA..DR/DT/DV..
FV..DR/DT/DV..



FH..DR/DT/DV..
FT..DR/DT/DV..



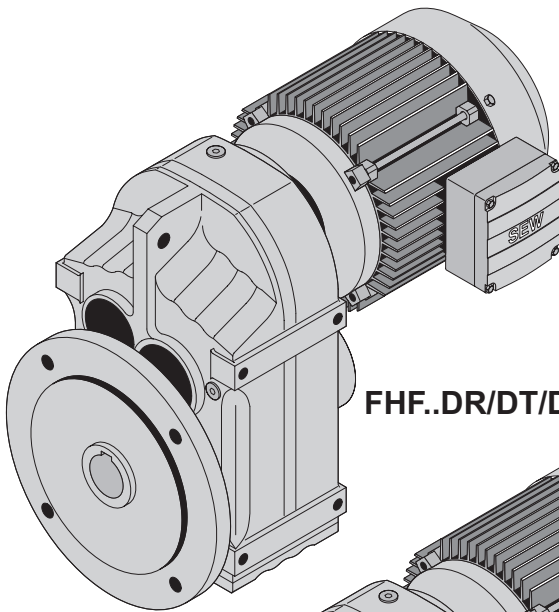
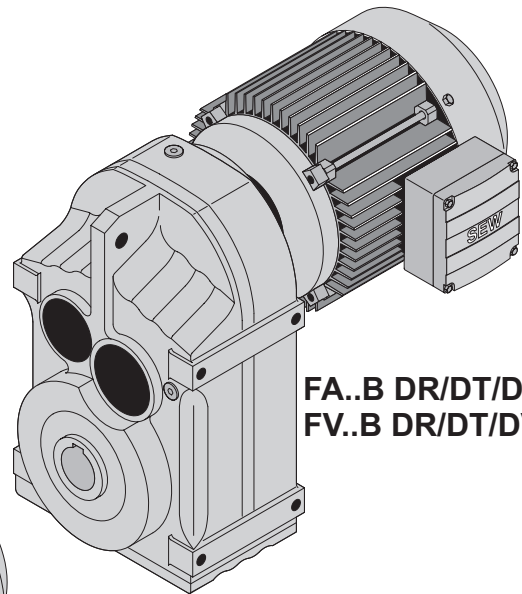
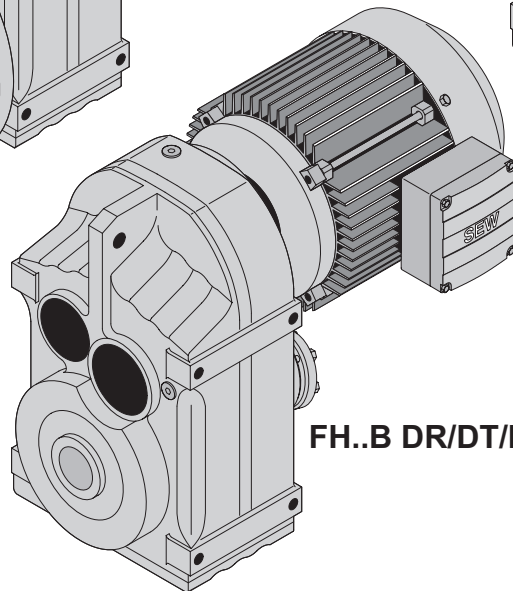
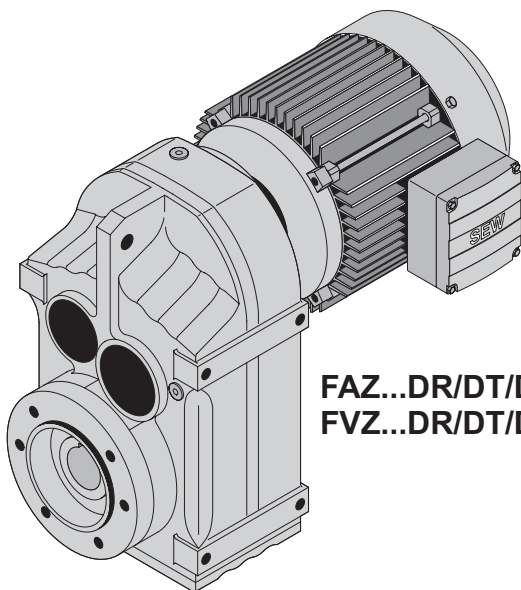
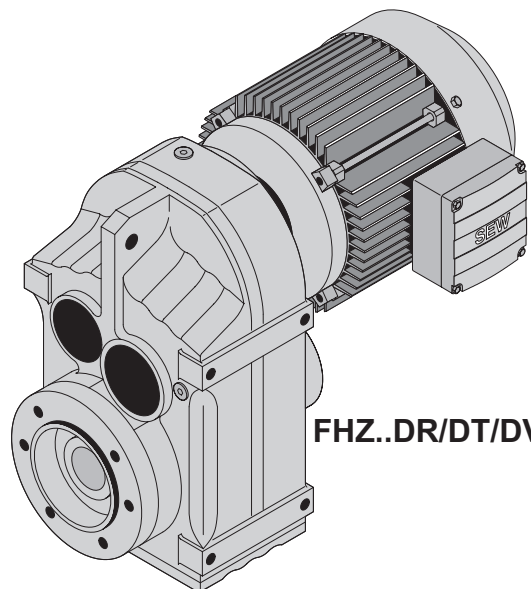
FF..DR/DT/DV..



FAF..DR/DT/DV..
FVF..DR/DT/DV..




F..DR/DT/DV





F, FA..(B), FV..(B), FH..(B), FT, FF, FAF, FVF, FHF, FAZ, FVZ..DR/DT/DV


FHF..DR/DT/DV..

**FA..B DR/DT/DV..
FV..B DR/DT/DV..**

FH..B DR/DT/DV..

**FAZ...DR/DT/DV..
FVZ...DR/DT/DV..**

FHZ..DR/DT/DV..



9.2 F.. → DR/DT/DV

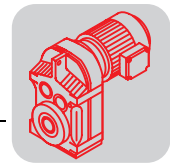
F27, $n_e = 1400$ 1/min					130 Nm		
n_a [1/min]	M_{amax} [Nm]	F_{Ra} [N]	φ (/R) [']	i	DR63 DT71	DT80	DT90
 3							
9.9	130	4500	-	140.74			
11	130	4500	-	129.09			
13	130	4500	-	109.90			
15	130	4500	-	94.76			
16	130	4500	-	88.32			
18	130	4500	-	77.21			
19	130	4500	-	72.37			
22	130	4400	-	63.86			
25	130	4190	-	56.62			
28	130	3980	-	50.19			
30	130	3860	-	46.78			
34	130	3640	-	40.89			
37	130	3530	-	38.33			
41	130	3340	-	33.83			
 2							
47	130	3150	-	29.56			
52	130	3030	-	27.18			
60	130	2820	-	23.25			
69	130	2630	-	20.15			
74	130	2550	-	18.84			
86	130	2370	-	16.28			
101	130	2180	-	13.84			
113	130	2060	-	12.35			
133	130	1900	-	10.55			
142	130	1830	-	9.88			
149	130	1660	-	9.40			
172	123	1590	-	8.13			
203	114	1530	-	6.91			
227	109	1480	-	6.17			
266	100	1440	-	5.27			
284	96	1420	-	4.93			
337	87	1380	-	4.16			


F27R17, $n_e = 1400$ 1/min					130 Nm		
n_a [1/min]	M_{amax} [Nm]	F_{Ra} [N]	φ (/R) [']	i	DR63 DT71	DT80	
 3  3							
0.16	130	4500	-	8972			
0.18	130	4500	-	7736			
0.19	130	4500	-	7211			
0.22	130	4500	-	6303			
0.26	130	4500	-	5435			
0.29	130	4500	-	4855			
0.33	130	4500	-	4243			
0.38	130	4500	-	3715			
0.43	130	4500	-	3247			
0.49	130	4500	-	2878			
0.56	130	4500	-	2515			
0.63	130	4500	-	2217			
 2  3							
0.74	130	4500	-	1898			
0.85	130	4500	-	1645			
0.92	130	4500	-	1525			




F27R17, n_e = 1400 1/min					130 Nm			
n _a [1/min]	M _{amax} [Nm]	F _{Ra} [N]	φ (°R) [']	i	DR63 DT71	DT80		
1.1	130	4500	-	1322				
1.2	130	4500	-	1146				
1.4	130	4500	-	1013				
1.6	130	4500	-	890				
1.8	130	4500	-	778				
2.1	130	4500	-	682				
2.3	130	4500	-	602				
2.7	130	4500	-	520				
3 2								
0.72	130	4500	-	1948				
0.77	130	4500	-	1826				
0.87	130	4500	-	1610				
1.0	130	4500	-	1399				
1.1	130	4500	-	1230				
1.5	130	4500	-	948				
1.7	130	4500	-	829				
1.9	130	4500	-	731				
2.2	130	4500	-	633				
2.5	130	4500	-	551				
2.9	130	4500	-	489				
3.3	130	4500	-	427				
3.7	130	4500	-	379				
4.3	130	4500	-	326				
4.9	130	4500	-	288				
5.6	130	4500	-	251				
6.3	130	4500	-	221				
8.1	130	4500	-	172				
9.2	130	4500	-	153				
11	130	4500	-	130				
2 2								
3.1	130	4500	-	458				
3.5	130	4500	-	397				
4.1	130	4500	-	342				
4.6	130	4500	-	302				
5.3	130	4500	-	266				
5.9	130	4500	-	236				
6.6	130	4500	-	211				
7.5	130	4500	-	186				
9.9	130	4500	-	142				
11	130	4500	-	124				
13	130	4500	-	109				
15	130	4500	-	96				

F37, n_e = 1400 1/min					200 Nm			
n _a [1/min]	M _{amax} [Nm]	F _{Ra} [N]	φ (°R) [']	i	DR63 DT71	DT80	DT90	DV100
3								
11	200	4290	7	128.51				
12	200	4290	7	117.88				
14	200	4290	7	100.36				
16	200	4290	7	86.53				
17	200	4290	7	80.65				
20	200	4290	7	70.50				
21	200	4290	7	66.09				
24	200	4290	7	58.32				
26	200	4290	8	54.54				



F37, $n_e = 1400$ 1/min					200 Nm			
n_a [1/min]	M_{amax} [Nm]	F_{Ra} [N]	φ (/R) [']	i	DR63 DT71	DT80	DT90	DV100
27	200	4290	7	51.70				
30	200	4290	8	47.02				
32	200	4290	8	43.83				
37	200	4290	8	38.31				
39	200	4290	8	35.91				
44	200	4290	8	31.69				
50	200	4060	8	28.09				
59	200	3760	8	23.88				
 2								
59	200	3740	6	23.63				
68	200	3500	6	20.57				
73	200	3390	6	19.27				
82	200	3180	6	17.03				
89	200	3070	6	15.81				
98	200	2910	7	14.33				
109	200	2750	7	12.87				
126	190	2620	7	11.08				
134	185	2580	7	10.42				
156	175	2460	7	8.97				
175	170	2360	7	8.01				
188	145	2350	10	7.44				
208	140	2270	10	6.74				
231	135	2190	10	6.05				
269	125	2120	10	5.21				
286	120	2100	11	4.90				
332	110	2030	11	4.22				
371	105	1970	12	3.77				

F37R17, $n_e = 1400$ 1/min					200 Nm			
n_a [1/min]	M_{amax} [Nm]	F_{Ra} [N]	φ (/R) [']	i	DR63 DT71	DT80		
 3  3								
0.17	200	4290	-	8193				
0.20	200	4290	-	7064				
0.21	200	4290	-	6585				
0.24	200	4290	-	5756				
0.28	200	4290	-	4963				
0.32	200	4290	-	4434				
0.36	200	4290	-	3875				
0.41	200	4290	-	3392				
0.47	200	4290	-	2965				
0.54	200	4290	-	2587				
0.61	200	4290	-	2284				
0.70	200	4290	-	1997				
0.80	200	4290	-	1742				
0.91	200	4290	-	1545				
 2  3								
0.73	200	4290	-	1929				
0.83	200	4290	-	1679				
0.90	200	4290	-	1550				
1.0	200	4290	-	1356				
1.2	200	4290	-	1180				
1.3	200	4290	-	1044				
1.5	200	4290	-	914				
1.7	200	4290	-	808				
2.0	200	4290	-	698				



F37R17, n_e = 1400 1/min					200 Nm	
n _a [1/min]	M _{amax} [Nm]	F _{Ra} [N]	φ (/R) [']	i	DR63 DT71	DT80
2.3	200	4290	-	616		
2.6	200	4290	-	544		
3.0	200	4290	-	466		
3.4	200	4290	-	411		
3.8	200	4290	-	364		




1.0	200	4290	-	1370		
1.2	200	4290	-	1198		
1.3	200	4290	-	1047		
1.5	200	4290	-	915		
1.7	200	4290	-	807		
2.0	200	4290	-	707		
2.3	200	4290	-	617		
2.6	200	4290	-	538		
2.9	200	4290	-	477		
3.4	200	4290	-	412		
3.8	200	4290	-	365		
4.3	200	4290	-	322		
5.0	200	4290	-	278		
5.8	200	4290	-	242		
6.3	200	4290	-	221		
7.2	200	4290	-	195		
8.3	200	4290	-	168		
9.5	200	4290	-	147		
11	200	4290	-	127		
12	200	4290	-	121		
13	200	4290	-	108		
15	200	4290	-	91		






4.3	200	4290	-	326		
4.9	200	4290	-	285		
5.6	200	4290	-	250		
6.4	200	4290	-	219		
7.5	200	4290	-	186		
8.4	200	4290	-	167		
9.7	200	4290	-	145		
11	200	4290	-	129		
12	200	4290	-	118		
14	200	4290	-	98		
16	200	4290	-	87		

F47, n_e = 1400 1/min					400 Nm			
n _a [1/min]	M _{amax} [Nm]	F _{Ra} [N]	φ (/R) [']	i	DR63 DT71	DT80	DT90	DV100
3								
7.3	400	5920	6	190.76				
8.0	400	5920	6	175.38				
9.3	400	5920	6	150.06				
11	400	5920	6	130.07				
12	400	5920	6	121.57				
13	400	5920	6	105.09				
16	400	5920	6	89.29				
18	400	5920	6	79.72				
21	400	5920	6	68.09				
21	400	5920	7	65.36				
25	400	5920	7	56.49				








F47, n _e = 1400 1/min					400 Nm			
n _a [1/min]	M _{amax} [Nm]	F _{Ra} [N]	φ (/R) [']	i	DR63 DT71	DT80	DT90	DV100
29	400	5920	7	48.00*				
33	400	5920	7	42.86				
38	400	5920	7	36.61				
41	400	5920	7	34.29				
48	400	5790	7	28.88				
 2								
45	400	5920	6	30.86				
48	400	5830	6	29.32				
54	400	5470	6	25.72				
64	400	5030	6	21.82				
71	400	4770	6	19.70				
81	400	4450	6	17.33				
86	400	4320	6	16.36				
101	400	3950	6	13.93				
111	400	3740	6	12.66				
128	400	3440	6	10.97				
156	330	3250	8	8.96				
178	380	2630	8	7.88				
188	380	2530	8	7.44*				
221	350	2470	8	6.34				
243	340	2390	9	5.76				
281	320	2310	9	4.99				

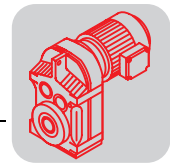
F47R17, n _e = 1400 1/min					400 Nm			
n _a [1/min]	M _{amax} [Nm]	F _{Ra} [N]	φ (/R) [']	i	DR63 DT71	DT80		
 3  3								
0.11	400	5920	-	12251				
0.13	400	5920	-	10619				
0.14	400	5920	-	9846				
0.16	400	5920	-	8534				
0.19	400	5920	-	7460				
0.21	400	5920	-	6536				
0.24	400	5920	-	5746				
0.28	400	5920	-	5022				
0.32	400	5920	-	4401				
0.36	400	5920	-	3883				
0.41	400	5920	-	3443				
0.47	400	5920	-	2976				
0.53	400	5920	-	2629				
0.61	400	5920	-	2304				
0.69	400	5920	-	2033				
 2  3								
0.56	400	5920	-	2519				
0.58	400	5920	-	2394				
0.64	400	5920	-	2172				
0.69	400	5920	-	2025				
0.79	400	5920	-	1770				
0.89	400	5920	-	1576				
1.0	400	5920	-	1363				
1.2	400	5920	-	1192				
1.3	400	5920	-	1061				
1.5	400	5920	-	931				
1.7	400	5920	-	822				
2.0	400	5920	-	706				
2.3	400	5920	-	619				






F..DR/DT/DV
F.. → DR/DT/DV

F47R17, $n_e = 1400$ 1/min					400 Nm	
n_a [1/min]	M_{amax} [Nm]	F_{Ra} [N]	φ (/R) [']	i	DR63 DT71	DT80
 3  2						
0.78	400	5920	-	1785		
0.89	400	5920	-	1578		
1.0	400	5920	-	1364		
1.2	400	5920	-	1203		
1.3	400	5920	-	1049		
1.5	400	5920	-	918		
1.7	400	5920	-	809		
2.0	400	5920	-	700		
2.3	400	5920	-	622		
2.6	400	5920	-	543		
2.9	400	5920	-	475		
3.3	400	5920	-	419		
3.8	400	5920	-	370		
4.3	400	5920	-	324		
4.9	400	5920	-	288		
5.6	400	5920	-	249		
6.4	400	5920	-	218		
7.3	400	5920	-	193		
8.0	400	5920	-	175		
9.5	400	5920	-	147		
11	400	5920	-	130		
 2  2						
2.7	400	5920	-	524		
2.9	400	5920	-	489		
3.3	400	5920	-	427		
3.7	400	5920	-	381		
4.2	400	5920	-	334		
4.7	400	5920	-	295		
5.5	400	5920	-	253		
6.5	400	5920	-	217		
7.4	400	5920	-	190		
7.9	400	5920	-	178		
9.4	400	5920	-	149		
11	400	5920	-	131		



F57, $n_e = 1400$ 1/min					600 Nm					
n_a [1/min]	M_{amax} [Nm]	F_{Ra} [N]	φ (/R) [']	i	DR63 DT71	DT80	DT90	DV100	DV112	DV132S DV132M
 3										
7.0	600	9200	6	199.70						
7.6	600	9200	6	183.60						
8.9	600	9200	6	157.09						
10	600	9200	6	136.16						
11	600	9200	6	127.27						
13	600	9200	6	110.01						
15	600	9200	6	93.47						
17	600	9200	6	83.46						
19	600	9200	6	72.98						
21	600	9200	6	68.22						
24	600	9200	7	58.97						
28	600	9200	7	50.10						
31	600	9160	7	44.73						
37	600	8510	7	38.21						
39	600	8250	7	35.79						
46	590	7650	7	30.15						





F57, $n_e = 1400$ 1/min					600 Nm					
n_a [1/min]	M_{amax} [Nm]	F_{Ra} [N]	φ (/R) [']	i	DR63 DT71	DT80	DT90	DV100	DV112	DV132S DV132M
 2										
35	290	10500	6	40.13						
41	500	8670	6	34.24						
47	545	7890	6	29.94						
49	535	7760	6	28.45						
56	575	7060	6	24.96						
66	600	6350	6	21.17						
73	600	6020	6	19.11						
83	600	5620	6	16.81						
88	600	5450	6	15.88						
104	600	4980	6	13.52						
114	600	4710	6	12.29						
132	600	4320	6	10.64						
150	420	4760	8	9.31						
171	420	4450	8	8.19						
181	420	4310	8	7.73						
213	420	3940	8	6.58						
234	420	3730	9	5.98						
270	415	3460	9	5.18						

F57R37, $n_e = 1400$ 1/min					600 Nm					
n_a [1/min]	M_{amax} [Nm]	F_{Ra} [N]	φ (/R) [']	i	DR63 DT71	DT80	DT90	DV100		
 3  3										
0.09	600	9200	-	14832						
0.10	600	9200	-	13604						
0.11	600	9200	-	12602						
0.12	600	9200	-	11252						
0.14	600	9200	-	9986						
0.16	600	9200	-	8787						
0.18	600	9200	-	7908						
0.20	600	9200	-	6913						
0.23	600	9200	-	6030						
0.26	600	9200	-	5289						
0.30	600	9200	-	4654						
0.34	600	9200	-	4060						
0.39	600	9200	-	3564						
0.44	600	9200	-	3161						
0.51	600	9200	-	2737						
0.58	600	9200	-	2409						
0.66	600	9200	-	2131						
0.76	600	9200	-	1840						
0.86	600	9200	-	1623						
0.97	600	9200	-	1439						
1.1	600	9200	-	1238						
 2  3										
0.49	600	9200	-	2854						
0.54	600	9200	-	2576						
0.62	600	9200	-	2266						
0.70	600	9200	-	2012						
0.78	600	9200	-	1791						
0.87	600	9200	-	1617						
0.98	600	9200	-	1422						
1.1	600	9200	-	1243						
1.3	600	9200	-	1066						
1.5	600	9200	-	949						



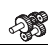


F57R37, n_e = 1400 1/min					600 Nm			
n _a [1/min]	M _{amax} [Nm]	F _{Ra} [N]	φ (°/R) [']	i	DR63 DT71	DT80	DT90	DV100
1.6	600	9200	-	856				
1.9	600	9200	-	749				
2.1	600	9200	-	658				
2.6	600	9200	-	549				
2.9	600	9200	-	483				
 3  2								
1.3	600	9200	-	1106				
1.4	600	9200	-	967				
1.6	600	9200	-	851				
1.9	600	9200	-	738				
2.2	600	9200	-	646				
2.5	600	9200	-	558				
2.8	600	9200	-	506				
3.1	600	9200	-	452				
3.6	600	9200	-	386				
4.1	600	9200	-	338				
5.5	600	9200	-	255				
7.0	600	9200	-	201				
7.7	600	9200	-	181				
9.0	600	9200	-	155				
 2  2								
3.3	600	9200	-	426				
3.7	600	9200	-	382				
4.2	600	9200	-	330				
4.7	600	9200	-	298				
5.3	600	9200	-	262				
6.2	600	9200	-	226				
7.0	600	9200	-	200				
8.2	600	9200	-	170				
9.2	600	9200	-	152				
10	600	9200	-	134				

F67, n_e = 1400 1/min					820 Nm					
n _a [1/min]	M _{amax} [Nm]	F _{Ra} [N]	φ (°/R) [']	i	DR63 DT71	DT80	DT90	DV100	DV112	DV132S DV132M
 3										
6.1	820	10300	6	228.99						
7.2	820	10300	6	195.39						
8.2	820	10300	6	170.85						
8.6	820	10300	6	162.31						
9.8	820	10300	6	142.40						
12	820	10300	6	120.79						
13	820	10300	6	109.04						
15	820	10300	6	95.94						
15	820	10300	6	90.59						
18	820	10300	6	79.76						
21	820	10300	6	67.65						
23	820	10300	6	61.07						
26	820	10300	6	53.73						
28	820	10300	6	50.74						
32	820	10300	6	43.20						
36	780	10700	6	39.26						
41	740	11000	6	34.01						
 2										
39	820	10300	5	36.30						
44	820	10300	5	32.08						







F67, $n_e = 1400$ 1/min						820 Nm				
n_a [1/min]	M_{amax} [Nm]	F_{Ra} [N]	φ (/R) [']	i	DR63 DT71	DT80	DT90	DV100	DV112	DV132S DV132M
51	820	10300	5	27.41						
56	820	10300	5	25.13						
63	820	10300	5	22.05						
67	820	10300	5	20.90*						
77	820	10300	6	18.29						
85	820	10300	6	16.48						
97	820	10300	6	14.46						
110	820	10300	6	12.76						
124	820	10300	6	11.31						
145	820	10300	6	9.66						
154	530	11400	8	9.08						
163	570	10900	8	8.60						
186	610	10100	8	7.53						
206	620	9660	9	6.78						
235	610	9200	9	5.95						
267	590	8850	9	5.25						
300	560	8590	9	4.66						
353	500	8390	10	3.97						

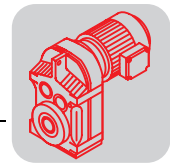
F67R37, $n_e = 1400$ 1/min						820 Nm			
n_a [1/min]	M_{amax} [Nm]	F_{Ra} [N]	φ (/R) [']	i	DR63 DT71	DT80	DT90	DV100	
 3  3									
0.07	820	10300	-	19199					
0.08	820	10300	-	17610					
0.09	820	10300	-	14992					
0.11	820	10300	-	12926					
0.12	820	10300	-	11480					
0.14	820	10300	-	10220					
0.16	820	10300	-	8933					
0.18	820	10300	-	7940					
0.20	820	10300	-	7096					
0.23	820	10300	-	6080					
0.26	820	10300	-	5341					
0.30	820	10300	-	4690					
0.34	820	10300	-	4091					
0.39	820	10300	-	3574					
0.45	820	10300	-	3133					
0.51	820	10300	-	2756					
0.57	820	10300	-	2439					
 2  3									
0.41	820	10300	-	3377					
0.48	820	10300	-	2912					
0.52	820	10300	-	2714					
0.59	820	10300	-	2372					
0.66	820	10300	-	2126					
0.75	820	10300	-	1859					
0.86	820	10300	-	1631					
0.97	820	10300	-	1437					
1.1	820	10300	-	1256					
1.2	820	10300	-	1126					
1.4	820	10300	-	984					
1.6	820	10300	-	864					
1.9	820	10300	-	722					
2.2	820	10300	-	634					
2.6	820	10300	-	539					




F..DR/DT/DV
F.. → DR/DT/DV

F67R37, n_e = 1400 1/min					820 Nm			
n _a [1/min]	M _{amax} [Nm]	F _{Ra} [N]	φ (°/R) [']	i	DR63 DT71	DT80	DT90	DV100
 3  2								
0.66	820	10300	-	2106				
0.74	820	10300	-	1884				
0.86	820	10300	-	1635				
0.98	820	10300	-	1429				
1.1	820	10300	-	1271				
1.3	820	10300	-	1102				
1.4	820	10300	-	970				
1.6	820	10300	-	858				
1.9	820	10300	-	755				
2.2	820	10300	-	641				
2.4	820	10300	-	572				
2.8	820	10300	-	509				
3.2	820	10300	-	437				
3.6	820	10300	-	384				
4.1	820	10300	-	338				
4.6	820	10300	-	305				
5.4	820	10300	-	257				
6.1	820	10300	-	231				
6.8	820	10300	-	205				
8.0	820	10300	-	175				
 2  2								
2.8	820	10300	-	500				
3.1	820	10300	-	454				
3.6	820	10300	-	392				
4.2	820	10300	-	333				
4.7	820	10300	-	297				
5.4	820	10300	-	261				
5.9	820	10300	-	238				
7.0	820	10300	-	200				
8.0	820	10300	-	176				




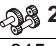
F77, n_e = 1400 1/min					1500 Nm						
n _a [1/min]	M _{amax} [Nm]	F _{Ra} [N]	φ (°/R) [']	i	DR63 DT71	DT80	DT90	DV100	DV112	DV132S DV132M	DV132ML DV160M
 3											
5.0	1500	15700	5	281.71							
5.3	1500	15700	5	262.93							
6.2	1500	15700	5	225.79							
7.1	1500	15700	5	198.31							
7.4	1500	15700	5	188.40							
8.4	1500	15700	5	166.47							
9.8	1500	15700	5	142.27							
11	1500	15700	5	130.42							
12	1500	15700	5	114.45							
13	1500	15700	5	108.46*							
15	1500	15700	5	94.93							
16	1500	15700	6	85.52							
19	1500	15700	6	75.02							
19	1500	15700	6	72.50							
21	1500	15700	6	66.46							
24	1500	15700	6	58.32							
25	1500	15700	6	55.27							
29	1500	15700	6	48.37							
32	1500	15700	6	43.58							
37	1500	15700	6	38.23							




F77, $n_e = 1400$ 1/min					1500 Nm						
n_a [1/min]	M_{amax} [Nm]	F_{Ra} [N]	φ (/R) [']	i	DR63 DT71	DT80	DT90	DV100	DV112	DV132S DV132M	DV132ML DV160M
41	1500	15700	6	33.74							
47	1500	15700	6	29.91							
55	1450	16100	6	25.54							
 2											
38	1110	17900	5	36.58							
44	1380	16500	5	31.51							
49	1430	16200	5	28.75							
55	1500	15700	5	25.50*							
65	1500	15700	5	21.43							
71	1500	15700	5	19.70							
80	1500	15700	5	17.49							
90	1500	15700	5	15.64*							
100	1500	15700	5	14.06							
115	1500	14900	5	12.20							
128	1500	14200	6	10.93							
151	1080	13800	7	9.30							
169	1080	13100	7	8.26							
189	1080	12500	7	7.39							
211	1080	12000	8	6.64							
243	1080	11300	8	5.76							
271	1080	10700	8	5.16							
327	1010	10200	8	4.28							



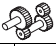

F77R37, $n_e = 1400$ 1/min					1500 Nm			
n_a [1/min]	M_{amax} [Nm]	F_{Ra} [N]	φ (/R) [']	i	DR63 DT71	DT80	DT90	DV100
 3  3								
0.07	1500	15700	-	19180				
0.08	1500	15700	-	17593				
0.09	1500	15700	-	16128				
0.09	1500	15700	-	14978				
0.10	1500	15700	-	13731				
0.12	1500	15700	-	12049				
0.13	1500	15700	-	11035				
0.14	1500	15700	-	9683				
0.17	1500	15700	-	8464				
0.19	1500	15700	-	7520				
0.21	1500	15700	-	6580				
0.24	1500	15700	-	5808				
0.28	1500	15700	-	5026				
0.32	1500	15700	-	4435				
0.37	1500	15700	-	3832				
0.41	1500	15700	-	3381				
0.47	1500	15700	-	2978				
0.54	1500	15700	-	2613				
0.61	1500	15700	-	2284				
0.69	1500	15700	-	2029				
 2  3								
0.28	1110	17900	-	4931				
0.31	1110	17900	-	4523				
0.36	1110	17900	-	3851				
0.42	1110	17900	-	3320				
0.45	1110	17900	-	3095				
0.52	1110	17900	-	2705				
0.55	1110	17900	-	2536				
0.63	1110	17900	-	2238				








F77R37, n_e = 1400 1/min									1500 Nm			
n _a [1/min]	M _{amax} [Nm]	F _{Ra} [N]	φ (°/R) [']	i	DR63 DT71	DT80	DT90	DV100				
0.69	1110	17900	-	2039								
0.80	1110	17900	-	1759								
0.85	1110	17900	-	1639								
0.98	1110	17900	-	1433								
1.0	1110	17900	-	1343								
1.2	1110	17900	-	1185								
1.3	1110	17900	-	1051								
1.6	1110	17900	-	893								
 3  2												
0.81	1500	15700	-	1728								
0.91	1500	15700	-	1544								
1.0	1500	15700	-	1354								
1.2	1500	15700	-	1200								
1.3	1500	15700	-	1053								
1.5	1500	15700	-	910								
1.7	1500	15700	-	810								
2.0	1500	15700	-	710								
2.3	1500	15700	-	615								
2.6	1500	15700	-	538								
2.9	1500	15700	-	480								
3.4	1500	15700	-	413								
3.8	1500	15700	-	367								
4.3	1500	15700	-	323								
5.0	1500	15700	-	280								
5.7	1500	15700	-	247								
6.3	1500	15700	-	221								
7.0	1500	15700	-	199								
 2  2												
1.7	1110	17900	-	815								
2.0	1110	17900	-	706								
2.1	1110	17900	-	660								
2.5	1110	17900	-	571								
2.9	1110	17900	-	485								
3.2	1110	17900	-	433								
3.8	1110	17900	-	370								
4.0	1110	17900	-	346								
4.8	1110	17900	-	292								
F87, n_e = 1400 1/min												3000 Nm
n _a [1/min]	M _{amax} [Nm]	F _{Ra} [N]	φ (°/R) [']	i	DT80	DT90	DV100	DV112	DV132S DV132M	DV132ML DV160M DV160L	DV180	
 3												
5.2	3000	19800	7	270.68								
5.5	3000	19800	7	255.37								
6.1	3000	19800	7	228.93								
7.1	3000	19800	7	197.20								
7.8	3000	19800	7	179.97								
8.8	3000	19800	7	159.61								
10	3000	19800	7	134.16								
11	3000	19800	7	123.29								
13	3000	19800	7	109.49								
14	3000	19800	7	97.89								
16	3000	19800	7	88.01								
18	3000	19800	7	76.39								
20	3000	19600	7	68.40								
25	3000	17700	7	56.75								

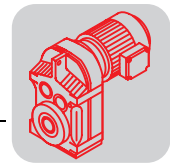



F87, $n_e = 1400$ 1/min					3000 Nm						
n_a [1/min]	M_{amax} [Nm]	F_{Ra} [N]	φ (/R) [']	i	DT80	DT90	DV100	DV112	DV132S DV132M	DV132ML DV160M DV160L	DV180
28	2940	16800	7	50.36							
31	2820	16200	8	45.28							
36	2720	15400	8	39.30							
40	2610	14900	8	35.19							
48	2510	13800	8	29.20							
 2											
41	2610	14600	7	33.92							
49	2450	13900	7	28.78							
53	3000	11100	7	26.50							
59	3000	10300	7	23.68							
66	3000	9530	7	21.32*							
73	3000	8840	7	19.31							
82	3000	8040	7	17.12							
90	3000	7390	7	15.48							
107	3000	6370	7	13.12*							
122	3000	5580	7	11.46							
146	2880	5050	7	9.58							
169	1530	8890	7	8.29							
190	1530	8280	7	7.35							
211	1530	7790	7	6.65							
249	1530	7020	7	5.63							
285	1530	6430	7	4.92							
340	1460	5980	7	4.12							

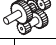

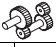

F87R57, $n_e = 1400$ 1/min					3000 Nm						
n_a [1/min]	M_{amax} [Nm]	F_{Ra} [N]	φ (/R) [']	i	DR63 DT71	DT80	DT90	DV100	DV112	DV132S DV132M	
 3  3											
0.06	3000	19800	-	23042							
0.07	3000	19800	-	20462							
0.08	3000	19800	-	18238							
0.09	3000	19800	-	15877							
0.10	3000	19800	-	14099							
0.11	3000	19800	-	12205							
0.13	3000	19800	-	10433							
0.15	3000	19800	-	9381							
0.17	3000	19800	-	8142							
0.20	3000	19800	-	7100							
0.22	3000	19800	-	6273							
0.25	3000	19800	-	5510							
0.28	3000	19800	-	4954							
0.33	3000	19800	-	4245							
0.38	3000	19800	-	3721							
 2  3											
0.28	3000	19800	-	4952							
0.31	3000	19800	-	4562							
0.36	3000	19800	-	3919							
0.40	3000	19800	-	3503							
0.44	3000	19800	-	3196							
0.49	3000	19800	-	2857							
0.55	3000	19800	-	2524							
0.66	3000	19800	-	2134							
0.73	3000	19800	-	1913							
0.82	3000	19800	-	1717							
0.95	3000	19800	-	1476							
1.1	3000	19800	-	1278							



F87R57, n_e = 1400 1/min					3000 Nm						
n _a [1/min]	M _{amax} [Nm]	F _{Ra} [N]	φ (°/R) [']	i	DR63 DT71	DT80	DT90	DV100	DV112	DV132S DV132M	
1.2	3000	19800	-	1142							
1.4	3000	19800	-	988							
1.6	3000	19800	-	883							
1.9	3000	19800	-	748							
 3  2											
0.43	3000	19800	-	3244							
0.49	3000	19800	-	2881							
0.54	3000	19800	-	2576							
0.64	3000	19800	-	2199							
0.73	3000	19800	-	1930							
0.82	3000	19800	-	1709							
0.94	3000	19800	-	1493							
1.1	3000	19800	-	1300							
1.2	3000	19800	-	1148							
1.4	3000	19800	-	1010							
1.6	3000	19800	-	887							
1.8	3000	19800	-	780							
2.1	3000	19800	-	674							
2.3	3000	19800	-	609							
2.7	3000	19800	-	515							
3.1	3000	19800	-	452							
4.1	3000	19800	-	345							
4.7	3000	19800	-	300							
5.6	3000	19800	-	249							
 2  2											
2.1	3000	19800	-	662							
2.4	3000	19800	-	592							
2.7	3000	19800	-	519							
3.0	3000	19800	-	468							
3.5	3000	19800	-	398							
4.0	3000	19800	-	350							
4.4	3000	19800	-	315							
5.0	3000	19800	-	281							
5.8	3000	19800	-	240							
6.6	3000	19800	-	211							
7.3	3000	19800	-	193							
F97, n_e = 1400 1/min					4300 Nm						
n _a [1/min]	M _{amax} [Nm]	F _{Ra} [N]	φ (°/R) [']	i	DT90	DV100	DV112	DV132S DV132M	DV132ML DV160M DV160L	DV180	DV200
 3											
5.1	4300	29900	6	276.77							
5.5	4300	29900	6	253.41							
6.3	4300	29900	6	223.88							
7.4	4300	29900	6	189.92							
8.0	4300	29900	6	174.87							
9.0	4300	29900	6	156.30							
9.9	4300	29900	6	140.71							
11	4300	29900	6	127.42							
12	4300	29900	6	112.99							
14	4300	29900	6	102.16							
14	4300	29900	6	97.58							
16	4300	29900	6	89.85							
16	4300	29900	6	86.59							
17	4300	29900	6	80.31							
19	4300	29900	6	75.63							



F97, $n_e = 1400$ 1/min					4300 Nm						
n_a [1/min]	M_{amax} [Nm]	F_{Ra} [N]	φ (/R) [']	i	DT90	DV100	DV112	DV132S DV132M	DV132ML DV160M DV160L	DV180	DV200
19	4300	29900	6	72.29							
21	4300	29000	6	65.47							
24	4300	27200	6	58.06							
27	4300	25800	6	52.49							
31	4300	23600	6	44.49							
36	4300	21900	6	38.86							
43	4300	19800	6	32.50							
 2											
32	3070	27600	6	43.28							
38	3070	25500	6	36.64							
41	4300	20300	6	33.91							
46	4300	19000	6	30.39							
51	4300	17900	6	27.44*							
56	4300	16800	6	24.92							
63	4300	15600	6	22.11							
70	4300	14600	6	20.07							
81	4300	13200	6	17.25*							
93	4300	11900	6	15.06							
110	4300	10500	6	12.77							
125	4100	10000	6	11.16							
155	2360	13400	9	9.06							
170	2360	12600	9	8.22							
198	2360	11500	9	7.07							
227	2250	11100	9	6.17							
268	2150	10400	9	5.23							
306	2050	9950	9	4.57							

F97R57, $n_e = 1400$ 1/min					4300 Nm					
n_a [1/min]	M_{amax} [Nm]	F_{Ra} [N]	φ (/R) [']	i	DR63 DT71	DT80	DT90	DV100	DV112	DV132S DV132M
 3  3										
0.05	4300	29900	-	29211						
0.05	4300	29900	-	26911						
0.06	4300	29900	-	23814						
0.07	4300	29900	-	20813						
0.08	4300	29900	-	18119						
0.09	4300	29900	-	15472						
0.10	4300	29900	-	14022						
0.11	4300	29900	-	12324						
0.13	4300	29900	-	10838						
0.15	4300	29900	-	9576						
0.17	4300	29900	-	8318						
0.19	4300	29900	-	7328						
0.22	4300	29900	-	6469						
0.25	4300	29900	-	5615						
0.28	4300	29900	-	4961						
0.32	4300	29900	-	4333						
 2  3										
0.22	4300	29900	-	6338						
0.25	4300	29900	-	5680						
0.28	4300	29900	-	5016						
0.32	4300	29900	-	4367						
0.36	4300	29900	-	3914						
0.42	4300	29900	-	3357						
0.47	4300	29900	-	3009						
0.57	4300	29900	-	2448						



F97R57, n_e = 1400 1/min					4300 Nm					
n _a [1/min]	M _{amax} [Nm]	F _{Ra} [N]	φ (°/R) [']	i	DR63 DT71	DT80	DT90	DV100	DV112	DV132S DV132M
0.64	4300	29900	-	2199						
0.71	4300	29900	-	1971						
0.80	4300	29900	-	1741						
0.95	4300	29900	-	1468						
1.1	4300	29900	-	1316						
1.2	4300	29900	-	1189						
1.4	4300	29900	-	1023						
3 2										
0.36	4300	29900	-	3906						
0.42	4300	29900	-	3352						
0.48	4300	29900	-	2907						
0.55	4300	29900	-	2553						
0.62	4300	29900	-	2245						
0.71	4300	29900	-	1970						
0.81	4300	29900	-	1722						
0.92	4300	29900	-	1527						
1.1	4300	29900	-	1327						
1.2	4300	29900	-	1171						
1.4	4300	29900	-	1022						
1.6	4300	29900	-	898						
1.8	4300	29900	-	784						
2.0	4300	29900	-	690						
2.3	4300	29900	-	605						
2.6	4300	29900	-	529						
3.0	4300	29900	-	467						
3.4	4300	29900	-	406						
3.9	4300	29900	-	363						
4.9	4300	29900	-	285						
5.7	4300	29900	-	245						
6.7	4300	29900	-	208						
7.2	4300	29900	-	195						
2 2										
1.6	4300	29900	-	892						
1.8	4300	29900	-	760						
2.1	4300	29900	-	667						
2.5	4300	29900	-	569						
2.7	4300	29900	-	510						
3.0	4300	29900	-	473						
3.5	4300	29900	-	403						
3.9	4300	29900	-	361						
4.4	4300	29900	-	317						
5.1	4300	29900	-	275						
5.8	4300	29900	-	242						
F107, n_e = 1400 1/min					7840 Nm					
n _a [1/min]	M _{amax} [Nm]	F _{Ra} [N]	φ (°/R) [']	i	DV100	DV112	DV132S DV132M	DV132ML DV160M DV160L	DV180	DV200 DV225S DV225M
3										
5.5	7680	49800	5	254.40*						
6.5	7680	49800	5	215.37						
7.0	7680	49800	5	199.31						
7.8	7680	49800	5	178.64						
8.7	7680	49800	5	161.28*						
9.6	7680	49800	5	146.49						
11	7680	49800	5	129.97						
12	7680	49800	5	117.94						

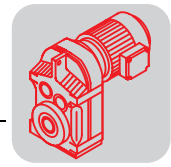


F107, n _e = 1400 1/min					7840 Nm					
n _a [1/min]	M _{amax} [Nm]	F _{Ra} [N]	φ (f/R) [']	i	DV100	DV112	DV132S DV132M	DV132ML DV160M DV160L	DV180	DV200 DV225S DV225M
14	7680	49800	5	101.38*						
15	7680	49800	6	92.47*						
16	7680	49800	5	88.49						
17	7680	49800	6	83.99						
19	7680	49800	6	74.52						
21	7680	49800	6	67.62						
24	7680	47800	6	58.12*						
28	7680	45100	6	50.73						
33	7680	42000	6	43.03						
37	7680	39500	6	37.61						
44	7680	36500	6	31.80						
2										
41	7400	38300	5	33.79*						
51	7840	33700	5	27.57						
56	7840	32200	5	25.14						
64	7840	30000	5	21.76*						
73	7840	28100	5	19.20*						
84	7840	26000	5	16.58						
95	7680	24700	5	14.67						
114	7000	24300	5	12.33						
141	6500	22900	5	9.96						
144	4910	25400	7	9.69						
167	4800	24000	7	8.37						
189	4600	23200	7	7.40						
225	4600	21100	7	6.22						

F107R77, n _e = 1400 1/min					7840 Nm						
n _a [1/min]	M _{amax} [Nm]	F _{Ra} [N]	φ (f/R) [']	i	DR63 DT71	DT80	DT90	DV100	DV112	DV132S DV132M	DV132ML DV160M
3 3											
0.06	7680	49800	-	25375							
0.06	7680	49800	-	21652							
0.07	7680	49800	-	18933							
0.08	7680	49800	-	16888							
0.09	7680	49800	-	14767							
0.12	7680	49800	-	11348							
0.14	7680	49800	-	10039							
0.16	7680	49800	-	8548							
0.18	7680	49800	-	7674							
0.21	7680	49800	-	6767							
0.24	7680	49800	-	5954							
0.27	7680	49800	-	5223							
0.31	7680	49800	-	4567							
0.35	7680	49800	-	3948							
0.40	7680	49800	-	3521							
2 3											
0.26	7840	49400	-	5383							
0.30	7840	49400	-	4593							
0.35	7840	49400	-	4016							
0.37	7840	49400	-	3815							
0.42	7840	49400	-	3347							
0.49	7840	49400	-	2839							
0.55	7840	49400	-	2563							
0.62	7840	49400	-	2255							
0.66	7840	49400	-	2129							
0.77	7840	49400	-	1813							



F107R77, n_e = 1400 1/min					7840 Nm						
n _a [1/min]	M _{amax} [Nm]	F _{Ra} [N]	φ (°R) [']	i	DR63 DT71	DT80	DT90	DV100	DV112	DV132S DV132M	DV132ML DV160M
0.88	7840	49400	-	1590							
0.97	7840	49400	-	1436							
1.1	7840	49400	-	1263							
1.2	7840	49400	-	1193							
1.4	7840	49400	-	1015							
1.5	7840	49400	-	923							
1.8	7840	49400	-	800							
2.0	7840	49400	-	696							
3 2											
0.46	7680	49800	-	3037							
0.51	7680	49800	-	2756							
0.59	7680	49800	-	2369							
0.68	7680	49800	-	2068							
0.77	7680	49800	-	1826							
0.88	7680	49800	-	1597							
1.0	7680	49800	-	1401							
1.1	7680	49800	-	1243							
1.3	7680	49800	-	1087							
1.5	7680	49800	-	950							
1.7	7680	49800	-	834							
1.9	7680	49800	-	736							
2.2	7680	49800	-	640							
2.5	7680	49800	-	560							
2.9	7680	49800	-	489							
3.2	7680	49800	-	436							
3.8	7680	49800	-	370							
4.2	7680	49800	-	333							
4.8	7680	49800	-	291							
5.5	7680	49800	-	255							
6.2	7680	49800	-	225							
7.4	7680	49800	-	190							
2 2											
2.2	7840	49400	-	644							
2.4	7840	49400	-	591							
2.7	7840	49400	-	518							
2.9	7840	49400	-	491							
3.3	7840	49400	-	430							
3.6	7840	49400	-	387							
4.1	7840	49400	-	340							
4.7	7840	49400	-	300							
5.3	7840	49400	-	266							
F127, n_e = 1400 1/min					12000 Nm						
n _a [1/min]	M _{amax} [Nm]	F _{Ra} [N]	φ (°R) [']	i	DV132M	DV132ML DV160M DV160L	DV180	DV200 DV225S DV225M	DV250M DV280S D280M	D315S D315M	
3											
8.2	12000	90000	5	170.83							
9.1	12000	90000	5	153.67*							
11	12000	90000	5	125.37							
12	12000	88000	5	114.34							
14	12000	83000	5	98.95							
16	12000	78900	5	87.31*							
19	12000	74300	5	75.41*							
20	12000	72100	5	70.07							
22	12000	69400	5	63.91							
25	12000	65300	5	55.31							



F127, $n_e = 1400$ 1/min					12000 Nm					
n_a [1/min]	M_{amax} [Nm]	F_{Ra} [N]	φ (/R) [']	i	DV132M	DV132ML DV160M DV160L	DV180	DV200 DV225S DV225M	DV250M DV280S D280M	D315S D315M
29	12000	61800	5	48.80						
33	12000	57900	5	42.15						
38	12000	54800	5	37.28						
45	12000	50600	5	31.33						
55	12000	45700	5	25.30						
2										
52	8500	55300	5	26.86						
57	8500	53300	5	24.57						
65	12000	42000	5	21.38						
74	11000	41900	5	18.87						
86	11000	39000	5	16.36						
96	11000	36200	5	14.55						
112	10000	36400	5	12.54						
137	9500	34000	5	10.19						
158	7000	36400	6	8.86						
178	6000	37000	6	7.88						
206	7000	32200	7	6.80						
254	6000	31700	7	5.52						
299	6000	29500	7	4.68						

F127R77, $n_e = 1400$ 1/min					12000 Nm						
n_a [1/min]	M_{amax} [Nm]	F_{Ra} [N]	φ (/R) [']	i	DR63 DT71	DT80	DT90	DV100	DV112	DV132S DV132M	DV132ML DV160M
3 3											
0.06	12000	90000	-	24478							
0.06	12000	90000	-	22323							
0.07	12000	90000	-	19048							
0.08	12000	90000	-	16656							
0.10	12000	90000	-	14722							
0.11	12000	90000	-	12912							
0.12	12000	90000	-	11656							
0.14	12000	90000	-	10191							
0.16	12000	90000	-	8831							
0.18	12000	90000	-	7643							
0.21	12000	90000	-	6715							
0.24	12000	90000	-	5925							
0.27	12000	90000	-	5153							
0.31	12000	90000	-	4533							
0.36	12000	90000	-	3926							
0.41	12000	90000	-	3454							
0.46	12000	90000	-	3031							
3 2											
0.52	12000	90000	-	2672							
0.59	12000	90000	-	2357							
0.69	12000	90000	-	2038							
0.78	12000	90000	-	1784							
0.87	12000	90000	-	1606							
1.0	12000	90000	-	1390							
1.1	12000	90000	-	1220							
1.3	12000	90000	-	1077							
1.5	12000	90000	-	930							
1.7	12000	90000	-	820							
1.9	12000	90000	-	727							
2.2	12000	90000	-	648							
2.6	12000	90000	-	549							
2.8	12000	90000	-	495							







F..DR/DT/DV
F.. → DR/DT/DV

F127R77, n_e = 1400 1/min					12000 Nm						
n _a [1/min]	M _{amax} [Nm]	F _{Ra} [N]	φ (R) [']	i	DR63 DT71	DT80	DT90	DV100	DV112	DV132S DV132M	DV132ML DV160M
3.3	12000	90000	-	428							
3.7	12000	90000	-	376							

F127R87, n_e = 1400 1/min					12000 Nm					
n _a [1/min]	M _{amax} [Nm]	F _{Ra} [N]	φ (R) [']	i	DT90	DV100	DV112	DV132S DV132M	DV132ML DV160M DV160L	DV180
3 2										
2.9	12000	90000	-	483						
3.3	12000	90000	-	418						
3.7	12000	90000	-	374						
4.5	12000	90000	-	312						
4.8	12000	90000	-	293						
5.4	12000	90000	-	259						
6.3	12000	90000	-	223						
7.1	12000	90000	-	198						
8.4	12000	90000	-	166						

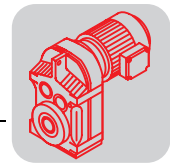
F157, n_e = 1400 1/min					18000 Nm					
n _a [1/min]	M _{amax} [Nm]	F _{Ra} [N]	φ (R) [']	i	DV132ML DV160M DV160L	DV180	DV200 DV225S DV225M	DV250M DV280S D280M	D315S D315M	D315M_A D315M_B
3										
5.2	18000	100300	5	267.43						
6.4	18000	100300	5	217.62*						
7.9	18000	100300	5	178.20*						
8.6	18000	100300	5	162.96						
9.9	18000	100300	5	141.80*						
11	18000	100300	5	125.14						
13	18000	100300	5	108.49						
15	18000	100300	5	96.53*						
16	18000	95700	5	85.80*						
18	18000	92300	5	78.46						
21	18000	87000	5	68.28*						
23	18000	82500	5	60.25						
27	18000	77500	5	52.24						
30	18000	73600	5	46.48*						
35	18000	68900	5	40.06						
43	18000	62500	5	32.55						
51	18000	57800	5	27.60						
2										
26	8000	98300	4	53.55						
32	10000	87800	4	43.94*						
39	11000	79300	4	35.75*						
49	17000	60800	4	28.60*						
55	15000	61500	4	25.43						
63	18000	51800	4	22.16						
71	17000	50900	4	19.77						
83	18000	44900	5	16.85						
100	17000	42500	5	13.96						
117	16000	40900	5	11.92						

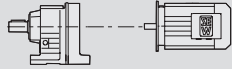



F157R97, n _e = 1400 1/min						18000 Nm						
n _a [1/min]	M _{amax} [Nm]	F _{Ra} [N]	φ (/R) [']	i	DT80	DT90	DV100	DV112	DV132S DV132M	DV132ML DV160M DV160L	DV180	DV200
 3  3												
0.04	18000	100300	-	31434								
0.05	18000	100300	-	26173								
0.06	18000	100300	-	23464								
0.07	18000	100300	-	20212								
0.08	18000	100300	-	17984								
0.09	18000	100300	-	16358								
0.10	18000	100300	-	13751								
0.11	18000	100300	-	12235								
0.14	18000	100300	-	10033								
0.16	18000	100300	-	9021								
0.17	18000	100300	-	8026								
0.20	18000	100300	-	7075								
0.22	18000	100300	-	6295								
0.26	18000	100300	-	5404								
0.29	18000	100300	-	4831								
0.34	18000	100300	-	4130								
0.39	18000	100300	-	3607								
0.44	18000	100300	-	3210								
0.50	18000	100300	-	2780								
0.97	18000	100300	-	1441								
 3  2												
0.58	18000	100300	-	2427								
0.64	18000	100300	-	2185								
0.72	18000	100300	-	1944								
0.84	18000	100300	-	1674								
1.1	18000	100300	-	1308								
1.2	18000	100300	-	1169								
1.5	18000	100300	-	953								
1.7	18000	100300	-	845								
1.8	18000	100300	-	764								
2.1	18000	100300	-	680								
2.4	18000	100300	-	576								
2.8	18000	100300	-	503								
3.1	18000	100300	-	446								
4.0	18000	100300	-	353								
4.6	18000	100300	-	302								
5.1	18000	100300	-	273								
6.0	18000	100300	-	232								
6.9	18000	100300	-	202								
7.1	18000	100300	-	197								


9.3 F..D.. [kW]

P_m [kW]	n_a [1/min]	M_a [Nm]	i	$F_{Ra}^{1)}$ [N]	SEW f_B					m [kg]		
0.12	0.06	13900	22323	86700	0.85							
	0.07	11900	19048	90000	1.00							
	0.08	10400	16656	90000	1.15	FA	127 R77	DR	63S4	425	367	
	0.09	9180	14722	90000	1.30	FAF	127 R77	DR	63S4	465	367	
	0.11	8000	12912	90000	1.50	F	127 R77	DR	63S4	460	367	
	0.12	7050	11656	90000	1.70	FF	127 R77	DR	63S4	510	367	
	0.14	6310	10191	90000	1.90							
	0.09	9210	14767	45500	0.85							
	0.12	7080	11348	51400	1.10							
	0.14	5750	10039	54600	1.35							
	0.16	4680	8548	57000	1.65	FA	107 R77	DR	63S4	275	367	
	0.18	4750	7674	56800	1.60	FAF	107 R77	DR	63S4	295	367	
	0.20	4090	6767	58200	1.90	F	107 R77	DR	63S4	290	367	
	0.23	3470	5954	59500	2.2	FF	107 R77	DR	63S4	320	367	
0.26	2990	5223	60400	2.6								
0.30	2850	4567	60700	2.7								
0.39	2130	3521	62000	3.6								
0.21	4150	6469	30400	1.05	FA	97 R57	DR	63S4	185	367		
0.25	3820	5615	31300	1.15	FAF	97 R57	DR	63S4	205	367		
0.28	3320	4961	32500	1.30	F	97 R57	DR	63S4	190	367		
0.32	2900	4333	33500	1.50	FF	97 R57	DR	63S4	225	367		
0.35	2690	3906	34000	1.60	FA	97 R57	DR	63S4	185	367		
0.41	2320	3352	34800	1.85	FAF	97 R57	DR	63S4	205	367		
0.47	1920	2907	35500	2.2	F	97 R57	DR	63S4	190	367		
0.54	1760	2553	35800	2.4	FF	97 R57	DR	63S4	225	367		
0.33	2770	4245	23800	1.10	FA	87 R57	DR	63S4	120	367		
0.37	2220	3721	25800	1.35	FAF	87 R57	DR	63S4	130	367		
					F	87 R57	DR	63S4	125	367		
					FF	87 R57	DR	63S4	140	367		
0.43	2250	3244	25700	1.35								
0.48	1990	2881	26500	1.50								
0.54	1780	2576	27100	1.70	FA	87 R57	DR	63S4	115	367		
0.63	1520	2199	27800	2.0	FAF	87 R57	DR	63S4	130	367		
0.72	1310	1930	28300	2.3	F	87 R57	DR	63S4	125	367		
0.81	1180	1709	28600	2.6	FF	87 R57	DR	63S4	140	367		
0.92	1030	1493	28900	2.9								
1.1	820	1300	29300	3.7								
1.2	745	1148	29500	4.0								
0.53	1820	2613	13000	0.80	FA	77 R37	DR	63S4	65	367		
0.60	1570	2284	15200	0.95	FAF	77 R37	DR	63S4	72	367		
0.68	1390	2029	16400	1.10	F	77 R37	DR	63S4	69	367		
					FF	77 R37	DR	63S4	80	367		
0.80	1180	1728	17500	1.25								
0.89	1090	1544	17900	1.40								
1.0	960	1354	18500	1.55	FA	77 R37	DR	63S4	65	367		
1.2	850	1200	18800	1.75	FAF	77 R37	DR	63S4	72	367		
1.3	745	1053	19100	2.0	F	77 R37	DR	63S4	69	367		
1.5	635	910	19400	2.4	FF	77 R37	DR	63S4	80	367		
1.7	530	810	19600	2.8								
1.9	465	710	19800	3.2								
0.97	960	1429	7070	0.85								
1.1	870	1271	9850	0.95								
1.2	725	1102	11100	1.15								
1.4	640	970	11700	1.30	FA	67 R37	DR	63S4	43	367		
1.6	560	858	12100	1.45	FAF	67 R37	DR	63S4	49	367		
1.8	495	755	12400	1.65	F	67 R37	DR	63S4	46	367		
2.1	420	641	12700	1.95	FF	67 R37	DR	63S4	52	367		
2.4	390	572	12800	2.1								
2.7	330	509	13000	2.5								
3.2	290	437	13000	2.9								



P _m [kW]	n _a [1/min]	M _a [Nm]	i	F _{Ra} ¹⁾ [N]	SEW f _B					m [kg]	
						FA	57 R37	DR	63S4		
0.12	1.6	615	851	9100	1.00						
	1.9	525	738	9750	1.15	FA	57 R37	DR	63S4	39	367
	2.1	455	646	10200	1.30	FAF	57 R37	DR	63S4	45	367
	2.5	390	558	10600	1.55	F	57 R37	DR	63S4	39	367
	2.7	345	506	10900	1.75	FF	57 R37	DR	63S4	46	367
	3.1	300	452	11100	2.0						
	3.2	310	426	11100	1.95	FA	57 R37	DR	63S4	38	367
	3.6	275	382	11300	2.2	FAF	57 R37	DR	63S4	44	367
	4.2	235	330	11500	2.6	F	57 R37	DR	63S4	39	367
	4.6	210	298	11500	2.9	FF	57 R37	DR	63S4	45	367
5.3	185	262	11500	3.2							
2.5	385	543	6100	1.05	FA	47 R17	DR	63S4	24	367	
2.9	335	475	6740	1.20	FAF	47 R17	DR	63S4	27	367	
3.3	290	419	7150	1.40	F	47 R17	DR	63S4	25	367	
					FF	47 R17	DR	63S4	28	367	
2.6	380	524	6190	1.05							
2.8	355	489	6530	1.15	FA	47 R17	DR	63S4	23	367	
3.2	305	427	7020	1.30	FAF	47 R17	DR	63S4	26	367	
3.6	270	381	7310	1.50	F	47 R17	DR	63S4	24	367	
4.1	235	334	7550	1.70	FF	47 R17	DR	63S4	27	367	
4.7	205	295	7740	1.95							
5.5	172	253	7910	2.3							
4.3	220	322	3990	0.90	FA	37 R17	DR	63S4	19	367	
5.0	192	278	4410	1.05	FAF	37 R17	DR	63S4	20	367	
5.7	162	242	4750	1.25	F	37 R17	DR	63S4	19	367	
6.2	156	221	4820	1.30	FF	37 R17	DR	63S4	21	367	
4.2	235	326	3710	0.85							
4.9	205	285	4250	1.00	FA	37 R17	DR	63S4	19	367	
5.5	177	250	4590	1.15	FAF	37 R17	DR	63S4	20	367	
6.3	156	219	4820	1.30	F	37 R17	DR	63S4	19	367	
7.4	132	186	5040	1.50	FF	37 R17	DR	63S4	21	367	
8.3	118	167	5140	1.70							
6.2	155	221	4500	0.85	FA	27 R17	DR	63S4	13	367	
8.0	119	172	4500	1.10	FAF	27 R17	DR	63S4	14	367	
9.1	104	153	4500	1.25	F	27 R17	DR	63S4	13	367	
11	87	130	4500	1.50	FF	27 R17	DR	63S4	14	367	
6.5	150	211	4500	0.85							
7.4	131	186	4500	1.00	FA	27 R17	DR	63S4	13	367	
9.7	102	142	4500	1.25	FAF	27 R17	DR	63S4	13	367	
11	88	124	4500	1.45	F	27 R17	DR	63S4	13	367	
13	77	109	4500	1.70	FF	27 R17	DR	63S4	14	367	
14	67	96	4500	1.95							
3.9	290	228.99	13000	2.8	FA	67	DR	63M6	32	337	
4.6	250	195.39	13000	3.3	FAF	67	DR	63M6	38	336	
5.3	220	170.85	13000	3.8	F	67	DR	63M6	35	335	
5.5	205	162.31	13000	4.0	FF	67	DR	63M6	41	336	
6.3	181	142.40	13000	4.5							
4.5	255	199.70	11400	2.4	FA	57	DR	63M6	28	332	
4.9	235	183.60	11500	2.6	FAF	57	DR	63M6	34	331	
5.7	200	157.09	11500	3.0	F	57	DR	63M6	28	330	
6.6	173	136.16	11500	3.5	FF	57	DR	63M6	35	331	
7.1	162	127.27	11500	3.7							
6.9	166	199.70	11500	3.6	FA	57	DR	63S4	28	332	
7.5	153	183.60	11500	3.9	FAF	57	DR	63S4	34	331	
8.8	130	157.09	11500	4.6	F	57	DR	63S4	28	330	
10	113	136.16	11500	5.3	FF	57	DR	63S4	35	331	
4.7	245	190.76	7510	1.65							
5.1	225	175.38	7640	1.80	FA	47	DR	63M6	21	327	
6.0	191	150.06	7820	2.1	FAF	47	DR	63M6	24	326	
6.9	166	130.07	7940	2.4	F	47	DR	63M6	22	325	
7.4	155	121.57	7990	2.6	FF	47	DR	63M6	25	326	
8.6	134	105.09	8070	3.0							
10	114	89.29	8130	3.5							
11	102	79.72	8160	3.9							


F..DR/DT/DV
F..D.. [kW]

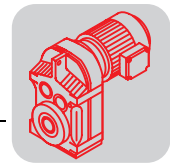
P_m [kW]	n_a [1/min]	M_a [Nm]	i	$F_{Ra}^{1)}$ [N]	SEW f_B					m [kg]	
0.12	7.2	158	190.76	7970	2.5	FA	47	DR	63S4	21	327
	7.9	146	175.38	8020	2.8	FAF	47	DR	63S4	24	326
	9.2	125	150.06	8100	3.2	F	47	DR	63S4	22	325
	11	108	130.07	8150	3.7	FF	47	DR	63S4	25	326
	7.0	164	128.51	4740	1.20	FA	37	DR	63M6	16	322
	7.6	150	117.88	4880	1.35	FAF	37	DR	63M6	18	321
	9.0	128	100.36	5070	1.55	F	37	DR	63M6	17	320
	10	110	86.53	5190	1.80	FF	37	DR	63M6	18	321
	11	103	80.65	5240	1.95						
	11	107	128.51	5220	1.85	FA	37	DR	63S4	16	322
	12	98	117.88	5270	2.0	FAF	37	DR	63S4	18	321
	14	83	100.36	5340	2.4	F	37	DR	63S4	17	320
	16	72	86.53	5400	2.8	FF	37	DR	63S4	18	321
	17	67	80.65	5410	3.0						
	8.2	140	109.90	4500	0.95	FA	27	DR	63M6	9.9	318
	9.5	121	94.76	4500	1.10	FAF	27	DR	63M6	11	317
	10	113	88.32	4500	1.15	F	27	DR	63M6	10	316
	12	98	77.21	4500	1.30	FF	27	DR	63M6	11	317
	9.8	117	140.74	4500	1.10						
	11	107	129.09	4500	1.20						
	13	91	109.90	4500	1.40						
	15	79	94.76	4500	1.65						
	16	73	88.32	4500	1.75						
	18	64	77.21	4500	2.0	FA	27	DR	63S4	9.9	318
	19	60	72.37	4500	2.2	FAF	27	DR	63S4	11	317
	22	53	63.86	4500	2.5	F	27	DR	63S4	10	316
	24	47	56.62	4500	2.8	FF	27	DR	63S4	11	317
	28	42	50.19	4500	3.1						
	30	39	46.78	4500	3.4						
	34	34	40.89	4500	3.8						
	36	32	38.33	4430	4.1						
	41	28	33.83	4270	4.6						
	47	25	29.56	4100	5.3						
	51	23	27.18	4000	5.8						
	59	19	23.25	3820	6.7						
	68	17	20.15	3650	7.8						
	73	16	18.84	3580	8.3						
	85	14	16.28	3420	9.6						
	100	12	13.84	3250	11						
	112	10	12.35	3140	13	FA	27	DR	63S4	9.6	318
131	8.8	10.55	2990	15	FAF	27	DR	63S4	10	317	
140	8.2	9.88	2930	16	F	27	DR	63S4	10	316	
147	7.8	9.40	2870	17	FF	27	DR	63S4	11	317	
170	6.7	8.13	2740	18							
200	5.7	6.91	2600	20							
224	5.1	6.17	2510	21							
262	4.4	5.27	2390	23							
280	4.1	4.93	2340	23							
332	3.5	4.16	2210	25							
0.18	0.10	13700	12912	87200	0.90						
	0.11	12200	11656	90000	1.00	FA	127 R77	DR	63M4	425	367
	0.13	10800	10191	90000	1.10	FAF	127 R77	DR	63M4	465	367
	0.15	8950	8831	90000	1.35	F	127 R77	DR	63M4	460	367
	0.17	7740	7643	90000	1.55	FF	127 R77	DR	63M4	510	367
	0.20	7130	6715	90000	1.70						
	0.15	8450	8548	47700	0.90						
	0.17	8130	7674	48600	0.95						
	0.20	7070	6767	51400	1.10	FA	107 R77	DR	63M4	275	367
	0.22	6090	5954	53800	1.25	FAF	107 R77	DR	63M4	295	367
	0.25	5290	5223	55700	1.45	F	107 R77	DR	63M4	290	367
	0.29	4850	4567	56600	1.60	FF	107 R77	DR	63M4	320	367
	0.37	3680	3521	59100	2.1						
	0.43	3260	3037	59900	2.4	FA	107 R77	DR	63M4	275	367
	0.48	2960	2756	60500	2.6	FAF	107 R77	DR	63M4	295	367
	0.56	2540	2369	61200	3.0	F	107 R77	DR	63M4	290	367
	0.64	2220	2068	61800	3.5	FF	107 R77	DR	63M4	315	367

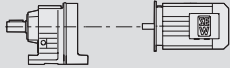



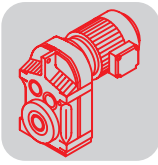
P_m [kW]	n_a [1/min]	M_a [Nm]	i	$F_{Ra}^{1)}$ [N]	SEW f_B					m [kg]		
0.18	0.30	4810	4333	22800	0.90	FA	97 R57	DR	63M4	185	367	
						FAF	97 R57	DR	63M4	205	367	
						F	97 R57	DR	63M4	190	367	
						FF	97 R57	DR	63M4	225	367	
		0.34	4430	3906	29500	0.95						
		0.39	3810	3352	31300	1.15						
		0.45	3210	2907	32800	1.35						
		0.52	2900	2553	33600	1.50	FA	97 R57	DR	63M4	185	367
		0.59	2550	2245	34300	1.70	FAF	97 R57	DR	63M4	205	367
		0.67	2210	1970	35000	1.95	F	97 R57	DR	63M4	190	367
	0.77	1960	1722	35500	2.2	FF	97 R57	DR	63M4	225	367	
	0.86	1740	1527	35900	2.5							
	0.99	1430	1327	36400	3.0							
	1.1	1330	1171	36500	3.2							
	0.51	2930	2576	22300	1.00							
	0.60	2490	2199	24800	1.20							
	0.68	2170	1930	25900	1.40							
	0.77	1940	1709	26600	1.55	FA	87 R57	DR	63M4	115	367	
	0.88	1700	1493	27300	1.75	FAF	87 R57	DR	63M4	130	367	
	1.0	1400	1300	28100	2.1	F	87 R57	DR	63M4	125	367	
	1.2	1260	1148	28400	2.4	FF	87 R57	DR	63M4	140	367	
	1.3	1090	1010	28800	2.8							
	1.5	970	887	29000	3.1							
	1.7	840	780	29300	3.6							
	0.86	1780	1544	13500	0.85							
	0.98	1560	1354	15300	0.95							
	1.1	1380	1200	16500	1.10	FA	77 R37	DR	63M4	65	367	
	1.2	1210	1053	17400	1.25	FAF	77 R37	DR	63M4	72	367	
	1.4	1040	910	18200	1.45	F	77 R37	DR	63M4	69	367	
	1.6	890	810	18700	1.70	FF	77 R37	DR	63M4	80	367	
	1.9	780	710	19000	1.90							
	2.1	695	615	19300	2.2							
	1.5	940	858	8660	0.85							
	1.8	830	755	10200	1.00							
	2.1	705	641	11200	1.15	FA	67 R37	DR	63M4	43	367	
	2.3	645	572	11600	1.25	FAF	67 R37	DR	63M4	49	367	
	2.6	560	509	12100	1.45	F	67 R37	DR	63M4	46	367	
	3.0	480	437	12500	1.70	FF	67 R37	DR	63M4	52	367	
	3.4	435	384	12700	1.90							
	2.6	580	500	12000	1.40							
	2.9	530	454	12300	1.55							
	3.4	455	392	12600	1.80	FA	67 R37	DR	63M4	42	367	
	4.0	380	333	12900	2.2	FAF	67 R37	DR	63M4	48	367	
	4.4	335	297	13000	2.4	F	67 R37	DR	63M4	45	367	
	5.1	295	261	13000	2.8	FF	67 R37	DR	63M4	51	367	
	5.5	265	238	13000	3.1							
	6.6	220	200	13000	3.7							
	2.4	640	558	7570	0.95	FA	57 R37	DR	63M4	39	367	
	2.6	570	506	9420	1.05	FAF	57 R37	DR	63M4	45	367	
	2.9	500	452	9930	1.20	F	57 R37	DR	63M4	39	367	
	3.4	425	386	10400	1.40	FF	57 R37	DR	63M4	46	367	
	3.9	370	338	10700	1.60							
	3.1	500	426	9910	1.20							
	3.5	445	382	10300	1.35	FA	57 R37	DR	63M4	38	367	
	4.0	380	330	10700	1.55	FAF	57 R37	DR	63M4	44	367	
	4.4	345	298	10900	1.75	F	57 R37	DR	63M4	39	367	
	5.0	305	262	11100	2.0	FF	57 R37	DR	63M4	45	367	
	5.8	255	226	11400	2.3							
	6.6	225	200	11500	2.7							
	3.6	410	370	5210	0.95	FA	47 R17	DR	63M4	24	367	
	4.1	375	324	6250	1.05	FAF	47 R17	DR	63M4	27	367	
	4.6	325	288	6810	1.20	F	47 R17	DR	63M4	25	367	
	5.3	280	249	7250	1.45	FF	47 R17	DR	63M4	28	367	


F..DR/DT/DV
F..D.. [kW]

P_m [kW]	n_a [1/min]	M_a [Nm]	i	$F_{Ra}^{1)}$ [N]	SEW f_B					m [kg]	
0.18	4.0	385	334	6100	1.05						
	4.5	340	295	6680	1.20	FA	47 R17	DR	63M4	23	367
	5.2	285	253	7190	1.40	FAF	47 R17	DR	63M4	26	367
	6.1	255	217	7430	1.55	F	47 R17	DR	63M4	24	367
	7.0	220	190	7650	1.80	FF	47 R17	DR	63M4	27	367
	7.4	205	178	7740	1.95						
	7.1	215	186	4060	0.95	FA	37 R17	DR	63M4	19	367
	7.9	194	167	4380	1.05	FAF	37 R17	DR	63M4	20	367
	9.1	171	145	4660	1.15	F	37 R17	DR	63M4	19	367
	10	151	129	4870	1.30	FF	37 R17	DR	63M4	21	367
	9.3	166	142	4500	0.80	FA	27 R17	DR	63M4	13	367
	11	144	124	4500	0.90	FAF	27 R17	DR	63M4	13	367
	12	126	109	4500	1.05	F	27 R17	DR	63M4	13	367
	14	110	96	4500	1.20	FF	27 R17	DR	63M4	14	367
	3.1	555	281.71	19600	2.7	FA	77	DR	63L6	57	342
	3.3	520	262.93	19700	2.9	FAF	77	DR	63L6	63	341
	3.9	445	225.79	19800	3.4	F	77	DR	63L6	60	340
						FF	77	DR	63L6	71	341
	3.8	450	228.99	12600	1.80	FA	67	DR	63L6	33	337
	4.5	385	195.39	12900	2.1	FAF	67	DR	63L6	39	336
	5.1	340	170.85	13000	2.4	F	67	DR	63L6	36	335
						FF	67	DR	63L6	42	336
	5.8	300	228.99	13000	2.8	FA	67	DR	63M4	32	337
	6.8	255	195.39	13000	3.2	FAF	67	DR	63M4	38	336
	7.7	225	170.85	13000	3.7	F	67	DR	63M4	35	335
						FF	67	DR	63M4	41	336
	4.4	395	199.70	10600	1.50						
	4.7	365	183.60	10800	1.65	FA	57	DR	63L6	29	332
	5.5	310	157.09	11100	1.95	FAF	57	DR	63L6	34	331
	6.4	270	136.16	11300	2.2	F	57	DR	63L6	29	330
	6.8	250	127.27	11400	2.4	FF	57	DR	63L6	36	331
	7.9	215	110.01	11500	2.8						
	6.6	260	199.70	11300	2.3	FA	57	DR	63M4	28	332
	7.2	240	183.60	11500	2.5	FAF	57	DR	63M4	34	331
	8.4	205	157.09	11500	2.9	F	57	DR	63M4	28	330
	9.7	177	136.16	11500	3.4	FF	57	DR	63M4	35	331
	10	166	127.27	11500	3.6						
	4.6	375	190.76	6240	1.05	FA	47	DR	63L6	22	327
	5.0	345	175.38	6600	1.15	FAF	47	DR	63L6	24	326
	5.8	295	150.06	7090	1.35	F	47	DR	63L6	22	325
	6.7	255	130.07	7410	1.55	FF	47	DR	63L6	26	326
	7.2	240	121.57	7530	1.65						
	6.9	250	190.76	7470	1.60	FA	47	DR	63M4	21	327
	7.5	230	175.38	7610	1.75	FAF	47	DR	63M4	24	326
	8.8	195	150.06	7800	2.1	F	47	DR	63M4	22	325
	10	169	130.07	7920	2.4	FF	47	DR	63M4	25	326
	11	158	121.57	7970	2.5						
	7.4	235	117.88	3750	0.85	FA	37	DR	63L6	17	322
	8.7	198	100.36	4320	1.00	FAF	37	DR	63L6	18	321
	10	171	86.53	4660	1.15	F	37	DR	63L6	17	320
11	159	80.65	4790	1.25	FF	37	DR	63L6	19	321	
12	139	70.50	4970	1.45							
10	167	128.51	4700	1.20							
11	154	117.88	4850	1.30							
13	131	100.36	5050	1.55	FA	37	DR	63M4	16	322	
15	113	86.53	5180	1.75	FAF	37	DR	63M4	18	321	
16	105	80.65	5230	1.90	F	37	DR	63M4	17	320	
19	92	70.50	5300	2.2	FF	37	DR	63M4	18	321	
20	86	66.09	5330	2.3							
23	76	58.32	5380	2.6							

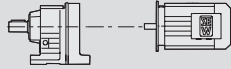



P_m [kW]	n_a [1/min]	M_a [Nm]	i	$F_{Ra}^{1)}$ [N]	SEW f_B		m [kg]			
0.18	12	143	109.90	4500	0.90					
	14	123	94.76	4500	1.05					
	15	115	88.32	4500	1.15					
	17	101	77.21	4500	1.30					
	18	94	72.37	4500	1.40	FA 27	DR 63M4	9.9	318	
	21	83	63.86	4500	1.55	FAF 27	DR 63M4	11	317	
	23	74	56.62	4500	1.75	F 27	DR 63M4	10	316	
	26	65	50.19	4500	2.0	FF 27	DR 63M4	11	317	
	28	61	46.78	4500	2.1					
	32	53	40.89	4410	2.4					
	34	50	38.33	4340	2.6					
	39	44	33.83	4200	3.0					
	45	39	29.56	4040	3.4					
	49	35	27.18	3950	3.7					
	57	30	23.25	3780	4.3					
	65	26	20.15	3630	5.0					
	70	25	18.84	3560	5.3					
	81	21	16.28	3410	6.1					
	95	18	13.84	3240	7.2	FA 27	DR 63M4	9.6	318	
	107	16	12.35	3140	8.1	FAF 27	DR 63M4	10	317	
	125	14	10.55	2990	9.5	F 27	DR 63M4	10	316	
	134	13	9.88	2930	10	FF 27	DR 63M4	11	317	
	140	12	9.40	2870	11					
	162	11	8.13	2750	12					
	191	9.0	6.91	2610	13					
	214	8.0	6.17	2520	14					
	251	6.9	5.27	2400	15					
	268	6.4	4.93	2350	15					
	318	5.4	4.16	2230	16					
	335	5.1	8.13	2190	24					
	394	4.4	6.91	2080	26	FA 27	DR 63S2	9.6	318	
	441	3.9	6.17	2010	28	FAF 27	DR 63S2	10	317	
	516	3.3	5.27	1910	30	F 27	DR 63S2	10	316	
	551	3.1	4.93	1870	31	FF 27	DR 63S2	11	317	
	655	2.6	4.16	1770	34					
	0.25	0.15	13300	8831	87900	0.90				
		0.17	11500	7643	90000	1.05	FA 127 R77	DR 63L4	425	367
		0.19	10500	6715	90000	1.15	FAF 127 R77	DR 63L4	465	367
		0.22	9240	5925	90000	1.30	F 127 R77	DR 63L4	465	367
0.25		7950	5153	90000	1.50	FF 127 R77	DR 63L4	510	367	
0.29		6890	4533	90000	1.75					
0.22		9050	5954	46000	0.85	FA 107 R77	DR 63L4	275	367	
0.25		7890	5223	49300	0.95	FAF 107 R77	DR 63L4	295	367	
0.28		7120	4567	51300	1.10	F 107 R77	DR 63L4	290	367	
0.37		5430	3521	55300	1.40	FF 107 R77	DR 63L4	320	367	
0.43		4790	3037	56800	1.60					
0.47		4340	2756	57700	1.75	FA 107 R77	DR 63L4	275	367	
0.55		3730	2369	59000	2.1	FAF 107 R77	DR 63L4	295	367	
0.63		3260	2068	59900	2.4	F 107 R77	DR 63L4	290	367	
0.81		2490	1597	61300	3.1	FF 107 R77	DR 63L4	320	367	
0.93		2160	1401	61900	3.6					
0.45		4680	2907	27500	0.90					
0.51		4180	2553	30300	1.05					
0.58		3680	2245	31600	1.15	FA 97 R57	DR 63L4	185	367	
0.66		3200	1970	32800	1.35	FAF 97 R57	DR 63L4	205	367	
0.75		2820	1722	33700	1.50	F 97 R57	DR 63L4	190	367	
0.85		2500	1527	34400	1.70	FF 97 R57	DR 63L4	225	367	
0.98		2100	1327	35200	2.1					
1.1		1920	1171	35500	2.2					
1.3	1680	1022	36000	2.6						


F..DR/DT/DV
F..D.. [kW]

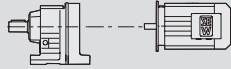

P_m [kW]	n_a [1/min]	M_a [Nm]	i	$F_{Ra}^{1)}$ [N]	SEW f_B					m [kg]		
0.25	0.67	3140	1930	13500	0.95							
	0.76	2800	1709	23700	1.05							
	0.87	2450	1493	25000	1.25							
	1.0	2050	1300	26300	1.45	FA	87 R57	DR	63L4	120	367	
	1.1	1830	1148	26900	1.65	FAF	87 R57	DR	63L4	130	367	
	1.3	1600	1010	27600	1.90	F	87 R57	DR	63L4	125	367	
	1.5	1420	887	28000	2.1	FF	87 R57	DR	63L4	140	367	
	1.7	1230	780	28500	2.4							
	1.9	1050	674	28900	2.9							
		1.2	1740	1053	13900	0.85						
	1.4	1500	910	15700	1.00							
	1.6	1300	810	16900	1.15	FA	77 R37	DR	63L4	66	367	
	1.8	1140	710	17700	1.30	FAF	77 R37	DR	63L4	72	367	
	2.1	1000	615	18300	1.50	F	77 R37	DR	63L4	70	367	
	2.4	880	538	18700	1.70	FF	77 R37	DR	63L4	80	367	
	2.7	780	480	19000	1.95							
	3.1	660	413	19400	2.3							
	2.3	930	572	9150	0.90	FA	67 R37	DR	63L4	44	367	
	2.6	810	509	10400	1.00	FAF	67 R37	DR	63L4	50	367	
	3.0	700	437	11200	1.15	F	67 R37	DR	63L4	46	367	
						FF	67 R37	DR	63L4	53	367	
	2.6	830	500	10200	1.00							
	2.9	760	454	10800	1.10							
	3.3	655	392	11600	1.25	FA	67 R37	DR	63L4	42	367	
	3.9	550	333	12200	1.50	FAF	67 R37	DR	63L4	49	367	
	4.4	490	297	12500	1.70	F	67 R37	DR	63L4	45	367	
	5.0	430	261	12700	1.90	FF	67 R37	DR	63L4	51	367	
	5.5	385	238	12900	2.1							
	3.4	620	386	8830	0.95	FA	57 R37	DR	63L4	40	367	
	3.9	540	338	9640	1.10	FAF	57 R37	DR	63L4	45	367	
	5.1	410	255	10500	1.45	F	57 R37	DR	63L4	40	367	
						FF	57 R37	DR	63L4	46	367	
	3.4	640	382	7390	0.95							
	3.9	550	330	9570	1.10							
	4.4	495	298	9950	1.20	FA	57 R37	DR	63L4	39	367	
	5.0	435	262	10300	1.35	FAF	57 R37	DR	63L4	45	367	
	5.8	370	226	10700	1.60	F	57 R37	DR	63L4	39	367	
	6.5	325	200	11000	1.85	FF	57 R37	DR	63L4	46	367	
	7.7	275	170	11300	2.2							
	5.2	405	249	5880	1.00	FA	47 R17	DR	63L4	25	367	
	6.0	360	218	6470	1.10	FAF	47 R17	DR	63L4	27	367	
	6.7	315	193	6920	1.25	F	47 R17	DR	63L4	25	367	
	7.5	285	175	7180	1.40	FF	47 R17	DR	63L4	28	367	
	5.1	415	253	4980	0.95							
	6.0	365	217	6380	1.10	FA	47 R17	DR	63L4	24	367	
	6.9	320	190	6900	1.25	FAF	47 R17	DR	63L4	26	367	
	7.3	295	178	7090	1.35	F	47 R17	DR	63L4	25	367	
	8.7	250	149	7480	1.60	FF	47 R17	DR	63L4	28	367	
	9.9	215	131	7670	1.85							
	8.9	245	145	3420	0.80							
	10	215	129	4040	0.90	FA	37 R17	DR	63L4	20	367	
	11	198	118	4320	1.00	FAF	37 R17	DR	63L4	21	367	
	13	164	98	4740	1.20	F	37 R17	DR	63L4	20	367	
	15	144	87	4940	1.40	FF	37 R17	DR	63L4	22	367	
	3.1	765	281.71	19100	1.95							
	3.4	715	262.93	19200	2.1	FA	77	DT	71D6	57	342	
	3.9	615	225.79	19500	2.5	FAF	77	DT	71D6	64	341	
	4.4	540	198.31	19600	2.8	F	77	DT	71D6	61	340	
	4.7	510	188.40	19700	2.9	FF	77	DT	71D6	72	341	
	3.8	620	228.99	11800	1.30							
	4.5	530	195.39	12300	1.55	FA	67	DT	71D6	34	337	
	5.2	465	170.85	12600	1.75	FAF	67	DT	71D6	41	336	
	5.4	440	162.31	12700	1.85	F	67	DT	71D6	37	335	
	6.2	385	142.40	12900	2.1	FF	67	DT	71D6	43	336	

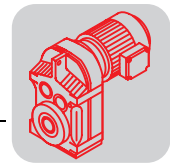


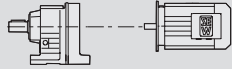

P _m [kW]	n _a [1/min]	M _a [Nm]	i	F _{Ra} ¹⁾ [N]	SEW f _B					m [kg]	
						FA	FAF	F	FF		
0.25	5.7	420	228.99	12700	1.95			DR	63L4	33	337
	6.7	360	195.39	13000	2.3	FA	67	DR	63L4	39	336
	7.6	315	170.85	13000	2.6	FAF	67	DR	63L4	36	335
	8.0	300	162.31	13000	2.8	F	67	DR	63L4	42	336
	9.1	260	142.40	13000	3.1	FF	67	DR	63L4		
	4.4	540	199.70	9630	1.10			DT	71D6	30	332
	4.8	500	183.60	9940	1.20	FA	57	DT	71D6	36	331
	5.6	425	157.09	10400	1.40	FAF	57	DT	71D6	31	330
	6.5	370	136.16	10800	1.60	F	57	DT	71D6	37	331
	6.9	345	127.27	10900	1.75	FF	57	DT	71D6		
	8.0	300	110.01	11100	2.0						
	6.5	365	199.70	10800	1.65			DR	63L4	29	332
	7.1	335	183.60	10900	1.80	FA	57	DR	63L4	34	331
	8.3	290	157.09	11200	2.1	FAF	57	DR	63L4	29	330
	9.6	250	136.16	11400	2.4	F	57	DR	63L4	36	331
	10	235	127.27	11500	2.6	FF	57	DR	63L4		
	12	200	110.01	11500	3.0						
	5.9	405	150.06	5750	1.00	FA	47	DT	71D6	22	327
	6.8	355	130.07	6530	1.15	FAF	47	DT	71D6	25	326
	7.2	330	121.57	6770	1.20	F	47	DT	71D6	23	325
	8.4	285	105.09	7190	1.40	FF	47	DT	71D6	26	326
	6.8	350	190.76	6550	1.15						
	7.4	320	175.38	6850	1.25	FA	47	DR	63L4	22	327
	8.7	275	150.06	7270	1.45	FAF	47	DR	63L4	24	326
	10	240	130.07	7540	1.65	F	47	DR	63L4	22	325
	11	225	121.57	7640	1.80	FF	47	DR	63L4	26	326
	12	193	105.09	7810	2.1						
	15	164	89.29	7950	2.4						
	10	235	128.51	3690	0.85						
	11	215	117.88	4040	0.90						
	13	184	100.36	4500	1.10						
	15	159	86.53	4790	1.25						
	16	148	80.65	4900	1.35						
	18	130	70.50	5060	1.55	FA	37	DR	63L4	17	322
	20	121	66.09	5120	1.65	FAF	37	DR	63L4	18	321
	22	107	58.32	5210	1.85	F	37	DR	63L4	17	320
	24	100	54.54	5260	2.0	FF	37	DR	63L4	19	321
	25	95	51.70	5280	2.1						
	28	86	47.02	5330	2.3						
	30	81	43.83	5360	2.5						
	34	70	38.31	5400	2.8						
	36	66	35.91	5420	3.0						
41	58	31.69	5450	3.4							
17	142	77.21	4500	0.90							
18	133	72.37	4500	1.00	FA	27	DR	63L4	11	318	
20	117	63.86	4500	1.10	FAF	27	DR	63L4	11	317	
23	104	56.62	4500	1.25	F	27	DR	63L4	11	316	
26	92	50.19	4440	1.40	FF	27	DR	63L4	12	317	
28	86	46.78	4370	1.50							
32	75	40.89	4240	1.75							
34	70	38.33	4180	1.85							
38	62	33.83	4060	2.1							



F..DR/DT/DV
F..D.. [kW]

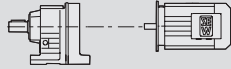

P_m [kW]	n_a [1/min]	M_a [Nm]	i	$F_{Ra}^{1)}$ [N]	SEW f_B		m [kg]			
0.25	44	54	29.56	3930	2.4					
	48	50	27.18	3840	2.6					
	56	43	23.25	3690	3.0					
	65	37	20.15	3550	3.5					
	69	35	18.84	3490	3.8					
	80	30	16.28	3350	4.4					
	94	25	13.84	3200	5.1					
	105	23	12.35	3090	5.7	FA 27	DR 63L4	10	318	
	123	19	10.55	2950	6.7	FAF 27	DR 63L4	11	317	
	132	18	9.88	2900	7.2	F 27	DR 63L4	11	316	
	138	17	9.40	2840	7.5	FF 27	DR 63L4	12	317	
	160	15	8.13	2720	8.3					
	188	13	6.91	2590	9.0					
	211	11	6.17	2500	9.7					
	247	9.7	5.27	2380	10					
	264	9.1	4.93	2340	11					
	313	7.6	4.16	2220	11					
	0.37	327	7.3	8.13	2190	17				
		385	6.2	6.91	2080	18	FA 27	DR 63M2	9.6	318
		431	5.5	6.17	2000	20	FAF 27	DR 63M2	10	317
505		4.7	5.27	1910	21	F 27	DR 63M2	10	316	
539		4.4	4.93	1870	22	FF 27	DR 63M2	11	317	
640		3.7	4.16	1770	24					
0.21		15000	6715	84600	0.80					
0.23		13200	5925	88100	0.90	FA 127 R77	DT 71D4	425	367	
0.27		11400	5153	90000	1.05	FAF 127 R77	DT 71D4	465	367	
0.30		9930	4533	90000	1.20	F 127 R77	DT 71D4	465	367	
0.35		8690	3926	90000	1.40	FF 127 R77	DT 71D4	510	367	
0.40		7570	3454	90000	1.60					
0.46		6610	3031	90000	1.80					
0.45		6850	3037	52000	1.10	FA 107 R77	DT 71D4	275	367	
0.50		6220	2756	53500	1.25	FAF 107 R77	DT 71D4	295	367	
0.58		5350	2369	55500	1.45	F 107 R77	DT 71D4	290	367	
0.67		4670	2068	57000	1.65	FF 107 R77	DT 71D4	320	367	
0.86		3580	1597	59300	2.2					
0.70		4540	1970	29200	0.95					
0.80		4000	1722	30800	1.10	FA 97 R57	DT 71D4	185	367	
0.90	3550	1527	32000	1.20	FAF 97 R57	DT 71D4	205	367		
1.0	3000	1327	33300	1.45	F 97 R57	DT 71D4	190	367		
1.2	2720	1171	33900	1.60	FF 97 R57	DT 71D4	225	367		
1.4	2370	1022	34700	1.80						
1.5	2000	898	35400	2.1						
1.1	2940	1300	22000	1.00						
1.2	2620	1148	24400	1.15						
1.4	2280	1010	25600	1.30	FA 87 R57	DT 71D4	120	367		
1.6	2020	887	26400	1.50	FAF 87 R57	DT 71D4	130	367		
1.8	1760	780	27100	1.70	F 87 R57	DT 71D4	125	367		
2.0	1500	674	27800	2.0	FF 87 R57	DT 71D4	140	367		
2.3	1380	609	28100	2.2						
2.7	1160	515	28600	2.6						
3.1	1020	452	28900	2.9						
1.7	1850	810	11300	0.80						
1.9	1620	710	14900	0.95						
2.2	1420	615	16200	1.05	FA 77 R37	DT 71D4	67	367		
2.6	1240	538	17200	1.20	FAF 77 R37	DT 71D4	73	367		
2.9	1110	480	17900	1.35	F 77 R37	DT 71D4	71	367		
3.4	940	413	18500	1.60	FF 77 R37	DT 71D4	81	367		
3.8	840	367	18900	1.80						
4.3	750	323	19100	2.0						
3.6	890	384	9670	0.95						
4.1	785	338	10600	1.05	FA 67 R37	DT 71D4	45	367		
4.5	705	305	11200	1.15	FAF 67 R37	DT 71D4	51	367		
5.4	590	257	11900	1.40	F 67 R37	DT 71D4	47	367		
6.0	525	231	12300	1.55	FF 67 R37	DT 71D4	53	367		



P _m [kW]	n _a [1/min]	M _a [Nm]	i	F _{Ra} ¹⁾ [N]	SEW f _B					m [kg]	
						FA	DT	71D4			
0.37	5.4	585	255	9330	1.05	FA	57 R37	DT	71D4	41	367
	6.9	455	201	10200	1.30	FAF	57 R37	DT	71D4	46	367
	7.6	415	181	10500	1.45	F	57 R37	DT	71D4	41	367
						FF	57 R37	DT	71D4	47	367
	5.3	620	262	9070	0.95						
	6.1	525	226	9740	1.15	FA	57 R37	DT	71D4	40	367
	6.9	465	200	10200	1.30	FAF	57 R37	DT	71D4	46	367
	8.1	395	170	10600	1.50	F	57 R37	DT	71D4	40	367
	9.1	350	152	10900	1.70	FF	57 R37	DT	71D4	47	367
	10	310	134	11100	1.95						
7.9	405	175	5860	1.00	FA	47 R17	DT	71D4	25	367	
9.4	340	147	6660	1.15	FAF	47 R17	DT	71D4	28	367	
11	300	130	7050	1.35	F	47 R17	DT	71D4	26	367	
					FF	47 R17	DT	71D4	29	367	
2.5	1410	270.68	28100	2.1	FA	87	DT	90S8	105	347	
2.7	1330	255.37	28200	2.3	FAF	87	DT	90S8	120	346	
3.0	1190	228.93	28600	2.5	F	87	DT	90S8	110	345	
3.5	1020	197.20	28900	2.9	FF	87	DT	90S8	125	346	
3.3	1060	270.68	28800	2.8	FA	87	DT	80K6	98	347	
3.5	1000	255.37	29000	3.0	FAF	87	DT	80K6	110	346	
3.9	900	228.93	29200	3.3	F	87	DT	80K6	105	345	
					FF	87	DT	80K6	120	346	
4.0	890	225.79	18700	1.70	FA	77	DT	80K6	59	342	
4.5	780	198.31	19100	1.95	FAF	77	DT	80K6	66	341	
4.8	740	188.40	19200	2.0	F	77	DT	80K6	63	340	
5.4	655	166.47	19400	2.3	FF	77	DT	80K6	74	341	
6.3	560	142.27	19600	2.7							
4.9	720	281.71	19200	2.1	FA	77	DT	71D4	57	342	
5.2	675	262.93	19300	2.2	FAF	77	DT	71D4	64	341	
6.1	580	225.79	19500	2.6	F	77	DT	71D4	61	340	
7.0	510	198.31	19700	3.0	FF	77	DT	71D4	72	341	
4.6	765	195.39	10800	1.05	FA	67	DT	80K6	36	337	
5.3	670	170.85	11500	1.20	FAF	67	DT	80K6	43	336	
5.5	635	162.31	11700	1.30	F	67	DT	80K6	39	335	
6.3	560	142.40	12100	1.45	FF	67	DT	80K6	45	336	
7.5	475	120.79	12500	1.75							
6.0	585	228.99	12000	1.40							
7.1	500	195.39	12400	1.65	FA	67	DT	71D4	34	337	
8.1	435	170.85	12700	1.85	FAF	67	DT	71D4	41	336	
8.5	415	162.31	12800	1.95	F	67	DT	71D4	37	335	
9.7	365	142.40	12900	2.3	FF	67	DT	71D4	43	336	
11	310	120.79	13000	2.7							
5.7	615	157.09	9070	0.95	FA	57	DT	80K6	32	332	
6.6	535	136.16	9680	1.10	FAF	57	DT	80K6	38	331	
7.1	500	127.27	9930	1.20	F	57	DT	80K6	33	330	
8.2	430	110.01	10400	1.40	FF	57	DT	80K6	39	331	
6.9	510	199.70	9850	1.15							
7.5	470	183.60	10100	1.30							
8.8	400	157.09	10600	1.50	FA	57	DT	71D4	30	332	
10	350	136.16	10900	1.70	FAF	57	DT	71D4	36	331	
11	325	127.27	11000	1.85	F	57	DT	71D4	31	330	
13	280	110.01	11200	2.1	FF	57	DT	71D4	37	331	
15	240	93.47	11500	2.5							
17	215	83.46	11500	2.8							
9.2	385	150.06	6140	1.05							
11	335	130.07	6740	1.20							
13	270	105.09	7320	1.50	FA	47	DT	71D4	22	327	
15	230	89.29	7600	1.75	FAF	47	DT	71D4	25	326	
17	205	79.72	7750	1.95	F	47	DT	71D4	23	325	
20	174	68.09	7900	2.3	FF	47	DT	71D4	26	326	
21	167	65.36	7930	2.4							



F..DR/DT/DV
F..D.. [kW]

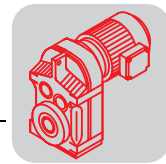
P_m [kW]	n_a [1/min]	M_a [Nm]	i	$F_{Ra}^{1)}$ [N]	SEW f_B					m [kg]	
0.37	16	220	86.53	3960	0.90						
	17	205	80.65	4200	0.95						
	20	181	70.50	4550	1.10						
	21	169	66.09	4680	1.20						
	24	149	58.32	4890	1.35						
	25	140	54.54	4970	1.45	FA	37	DT	71D4	18	322
	27	132	51.70	5030	1.50	FAF	37	DT	71D4	19	321
	29	120	47.02	5120	1.65	F	37	DT	71D4	18	320
	31	112	43.83	5180	1.80	FF	37	DT	71D4	20	321
	36	98	38.31	5270	2.0						
	38	92	35.91	5300	2.2						
	44	81	31.69	5300	2.5						
	49	72	28.09	5140	2.8						
	58	61	23.88	4930	3.3						
	24	145	56.62	4080	0.90						
	28	129	50.19	4010	1.00	FA	27	DT	71D4	12	318
	30	120	46.78	3970	1.10	FAF	27	DT	71D4	12	317
	34	105	40.89	3880	1.25	F	27	DT	71D4	12	316
	36	98	38.33	3840	1.35	FF	27	DT	71D4	13	317
	41	87	33.83	3750	1.50						
	47	76	29.56	3650	1.70						
	51	70	27.18	3580	1.85						
	59	60	23.25	3460	2.2						
	68	52	20.15	3340	2.5						
	73	48	18.84	3290	2.7						
	85	42	16.28	3170	3.1						
	100	35	13.84	3040	3.7	FA	27	DT	71D4	11	318
	112	32	12.35	2950	4.1	FAF	27	DT	71D4	12	317
	131	27	10.55	2820	4.8	F	27	DT	71D4	12	316
	140	25	9.88	2770	5.1	FF	27	DT	71D4	13	317
	147	24	9.40	2710	5.4						
	170	21	8.13	2600	5.9						
200	18	6.91	2490	6.4							
224	16	6.17	2410	6.9							
262	14	5.27	2300	7.4							
280	13	4.93	2250	7.6							
332	11	4.16	2140	8.2							
326	11	8.13	2150	11							
384	9.2	6.91	2050	12	FA	27	DR	63L2	10	318	
430	8.2	6.17	1980	13	FAF	27	DR	63L2	11	317	
503	7.0	5.27	1890	14	F	27	DR	63L2	11	316	
537	6.6	4.93	1850	15	FF	27	DR	63L2	12	317	
638	5.5	4.16	1750	16							
0.55	0.22	20500	6295	91800	0.90	FA	157 R97	DT	80K4	770	367
	0.25	17200	5404	102700	1.05	FAF	157 R97	DT	80K4	820	367
	0.49	8820	2780	118800	2.0	F	157 R97	DT	80K4	790	367
						FF	157 R97	DT	80K4	890	367
	0.56	7800	2427	120000	2.3	FA	157 R97	DT	80K4	760	367
	0.81	5530	1674	120000	3.3	FAF	157 R97	DT	80K4	820	367
	1.0	4270	1308	120000	4.2	F	157 R97	DT	80K4	780	367
	1.2	3750	1169	120000	4.8	FF	157 R97	DT	80K4	890	367
	0.35	13400	3926	87700	0.90	FA	127 R77	DT	80K4	430	367
	0.39	11800	3454	90000	1.00	FAF	127 R77	DT	80K4	465	367
	0.45	10300	3031	90000	1.15	F	127 R77	DT	80K4	465	367
						FF	127 R77	DT	80K4	510	367
	0.57	8250	2369	48300	0.95						
	0.66	7200	2068	51100	1.05						
	0.74	6190	1826	53600	1.25						
	0.85	5540	1597	55100	1.40	FA	107 R77	DT	80K4	275	367
	0.97	4830	1401	56700	1.60	FAF	107 R77	DT	80K4	300	367
	1.1	4220	1243	58000	1.80	F	107 R77	DT	80K4	295	367
	1.2	3770	1087	58900	2.0	FF	107 R77	DT	80K4	320	367
	1.4	3220	950	60000	2.4						
	1.6	2800	834	60800	2.7						
	2.1	2180	640	61900	3.5						



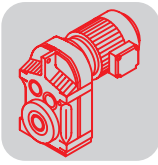
P _m [kW]	n _a [1/min]	M _a [Nm]	i	F _{Ra} ¹⁾ [N]	SEW f _B						
						FA	F	DT	80K4	m	kg
0.55	1.0	4630	1327	28900	0.95						
	1.2	4150	1171	30300	1.05						
	1.3	3630	1022	31800	1.20						
	1.5	3110	898	33100	1.40						
	1.7	2750	784	33900	1.55	FA	97 R57	DT	80K4	185	367
	2.0	2380	690	34600	1.80	FAF	97 R57	DT	80K4	210	367
	2.2	2100	605	35200	2.1	F	97 R57	DT	80K4	195	367
	2.6	1830	529	35700	2.4	FF	97 R57	DT	80K4	225	367
	2.9	1610	467	36100	2.7						
	3.4	1390	406	36500	3.1						
	3.7	1240	363	36700	3.5						
	1.5	3110	887	15200	0.95						
	1.7	2720	780	24000	1.10	FA	87 R57	DT	80K4	120	367
	2.0	2330	674	25400	1.30	FAF	87 R57	DT	80K4	135	367
	2.2	2120	609	26100	1.40	F	87 R57	DT	80K4	125	367
	2.6	1790	515	27000	1.70	FF	87 R57	DT	80K4	145	367
	3.0	1580	452	27600	1.90						
	3.9	1180	345	28600	2.5						
	2.8	1690	480	14300	0.90	FA	77 R37	DT	80K4	69	367
	3.3	1450	413	16100	1.05	FAF	77 R37	DT	80K4	75	367
	3.7	1290	367	17000	1.15	F	77 R37	DT	80K4	73	367
	4.2	1150	323	17700	1.30	FF	77 R37	DT	80K4	83	367
	5.3	910	257	9470	0.90	FA	67 R37	DT	80K4	47	367
	5.9	810	231	10400	1.00	FAF	67 R37	DT	80K4	53	367
	6.6	720	205	11100	1.15	F	67 R37	DT	80K4	49	367
	7.8	615	175	11800	1.35	FF	67 R37	DT	80K4	55	367
	2.5	2140	276.77	35100	2.0	FA	97	DT	90L8	170	352
	2.7	1960	253.41	35500	2.2	FAF	97	DT	90L8	190	351
	3.0	1730	223.88	35900	2.5	F	97	DT	90L8	175	350
						FF	97	DT	90L8	210	351
	2.5	2090	270.68	26200	1.45	FA	87	DT	90L8	105	347
	2.7	1970	255.37	26500	1.50	FAF	87	DT	90L8	120	346
	3.0	1770	228.93	27100	1.70	F	87	DT	90L8	110	345
	3.5	1520	197.20	27800	1.95	FF	87	DT	90L8	125	346
	3.3	1580	270.68	27600	1.90	FA	87	DT	80N6	100	347
	3.5	1490	255.37	27800	2.0	FAF	87	DT	80N6	115	346
3.9	1340	228.93	28200	2.3	F	87	DT	80N6	105	345	
4.6	1150	197.20	28700	2.6	FF	87	DT	80N6	120	346	
5.0	1050	179.97	28900	2.9							
4.0	1320	225.79	16800	1.15	FA	77	DT	80N6	61	342	
4.5	1160	198.31	17600	1.30	FAF	77	DT	80N6	68	341	
4.8	1100	188.40	17900	1.35	F	77	DT	80N6	65	340	
5.4	970	166.47	18400	1.55	FF	77	DT	80N6	76	341	
6.3	830	142.27	18900	1.80							
6.9	760	130.42	19100	1.95							
6.0	870	225.79	18800	1.70							
6.9	765	198.31	19100	1.95							
7.2	730	188.40	19200	2.1	FA	77	DT	80K4	59	342	
8.2	645	166.47	19400	2.3	FAF	77	DT	80K4	66	341	
9.6	550	142.27	19600	2.7	F	77	DT	80K4	63	340	
10	505	130.42	19700	3.0	FF	77	DT	80K4	74	341	
12	440	114.45	19800	3.4							
13	420	108.46*	19800	3.6							
14	365	94.93	19900	4.1							
7.0	755	195.39	10900	1.10							
8.0	660	170.85	11500	1.25							
8.4	625	162.31	11700	1.30	FA	67	DT	80K4	36	337	
9.6	550	142.40	12200	1.50	FAF	67	DT	80K4	43	336	
11	465	120.79	12600	1.75	F	67	DT	80K4	39	335	
12	420	109.04	12700	1.95	FF	67	DT	80K4	45	336	
14	370	95.94	12900	2.2							
15	350	90.59	13000	2.3							
17	310	79.76	13000	2.7							


F..DR/DT/DV
F..D.. [kW]

P_m [kW]	n_a [1/min]	M_a [Nm]	i	$F_{Ra}^{1)}$ [N]	SEW f_B					m [kg]	
0.55	8.7	605	157.09	9150	1.00						
	10	525	136.16	9750	1.15						
	11	490	127.27	9980	1.20	FA	57	DT	80K4	32	332
	12	425	110.01	10400	1.40	FAF	57	DT	80K4	38	331
	15	360	93.47	10800	1.65	F	57	DT	80K4	33	330
	16	320	83.46	11000	1.85	FF	57	DT	80K4	39	331
	19	280	72.98	11200	2.1						
	20	265	68.22	11300	2.3						
	23	230	58.97	11500	2.6						
	13	405	105.09	5840	1.00						
	15	345	89.29	6620	1.15						
	17	310	79.72	6990	1.30	FA	47	DT	80K4	24	327
	20	265	68.09	7370	1.50	FAF	47	DT	80K4	27	326
	21	250	65.36	7440	1.60	F	47	DT	80K4	25	325
	24	220	56.49	7670	1.85	FF	47	DT	80K4	28	326
	28	185	48.00*	7850	2.2						
	32	166	42.86	7940	2.4						
	23	225	58.32	3890	0.90						
	25	210	54.54	4140	0.95						
	26	200	51.70	4300	1.00						
	29	182	47.02	4540	1.10	FA	37	DT	80K4	20	322
	31	169	43.83	4680	1.20	FAF	37	DT	80K4	21	321
	36	148	38.31	4900	1.35	F	37	DT	80K4	20	320
38	139	35.91	4980	1.45	FF	37	DT	80K4	22	321	
43	122	31.69	4990	1.65							
48	109	28.09	4870	1.85							
57	92	23.88	4700	2.2							
58	91	23.63	4690	2.2	FA	37	DT	80K4	19	322	
66	79	20.57	4540	2.5	FAF	37	DT	80K4	21	321	
71	74	19.27	4470	2.7	F	37	DT	80K4	20	320	
80	66	17.03	4340	3.0	FF	37	DT	80K4	22	321	
95	55	14.33	4150	3.6							
35	150	77.21	3420	0.85	FA	27	DT	71D2	12	318	
37	141	72.37	3410	0.90	FAF	27	DT	71D2	12	317	
42	124	63.86	3360	1.05	F	27	DT	71D2	12	316	
48	110	56.62	3310	1.20	FF	27	DT	71D2	13	317	
54	98	50.19	3250	1.35							
58	90	23.25	3210	1.45							
67	78	20.15	3130	1.65							
72	73	18.84	3090	1.80							
84	63	16.28	3000	2.1							
98	53	13.84	2900	2.4							
110	48	12.35	2820	2.7							
129	41	10.55	2720	3.2	FA	27	DT	80K4	13	318	
138	38	9.88	2670	3.4	FAF	27	DT	80K4	14	317	
145	36	9.40	2610	3.6	F	27	DT	80K4	14	316	
167	31	8.13	2510	3.9	FF	27	DT	80K4	15	317	
197	27	6.91	2410	4.3							
221	24	6.17	2340	4.6							
258	20	5.27	2240	4.9							
276	19	4.93	2200	5.0							
327	16	4.16	2100	5.4							
332	16	8.13	2090	7.8							
391	13	6.91	2000	8.5	FA	27	DT	71D2	11	318	
438	12	6.17	1930	9.1	FAF	27	DT	71D2	12	317	
513	10	5.27	1840	9.8	F	27	DT	71D2	12	316	
547	9.6	4.93	1810	10	FF	27	DT	71D2	13	317	
650	8.1	4.16	1720	11							
0.75	0.50	12200	2780	113700	1.45	FA	157 R97	DT	80N4	770	367
						FAF	157 R97	DT	80N4	830	367
						F	157 R97	DT	80N4	790	367
						FF	157 R97	DT	80N4	890	367
	0.57	10800	2427	116000	1.65	FA	157 R97	DT	80N4	760	367
	0.82	7630	1674	120000	2.4	FAF	157 R97	DT	80N4	820	367
	1.1	5910	1308	120000	3.1	F	157 R97	DT	80N4	780	367
1.2	5210	1169	120000	3.5	FF	157 R97	DT	80N4	890	367	



P_m [kW]	n_a [1/min]	M_a [Nm]	i	$F_{Ra}^{1)}$ [N]	SEW f_B					m [kg]	
0.75	0.46	14000	3031	86500	0.85	FA	127 R77	DT	80N4	430	367
						FAF	127 R77	DT	80N4	470	367
						F	127 R77	DT	80N4	465	367
						FF	127 R77	DT	80N4	510	367
0.52	12600	2672	89200	0.95	FA	127 R77	DT	80N4	430	367	
0.59	11100	2357	90000	1.10	FAF	127 R77	DT	80N4	465	367	
0.68	9540	2038	90000	1.25	F	127 R77	DT	80N4	465	367	
0.77	8310	1784	90000	1.45	FF	127 R77	DT	80N4	510	367	
0.86	7450	1606	90000	1.60							
0.76	8470	1826	47600	0.90							
0.86	7530	1597	50200	1.00							
0.98	6580	1401	52600	1.15	FA	107 R77	DT	80N4	280	367	
1.1	5770	1243	54600	1.35	FAF	107 R77	DT	80N4	300	367	
1.3	5130	1087	56000	1.50	F	107 R77	DT	80N4	295	367	
1.4	4410	950	57600	1.75	FF	107 R77	DT	80N4	325	367	
1.7	3840	834	58700	2.0							
2.2	2980	640	60400	2.6							
3.2	2030	436	62100	3.8							
1.4	4900	1022	18500	0.90							
1.5	4230	898	30100	1.00							
1.8	3730	784	31500	1.15	FA	97 R57	DT	80N4	190	367	
2.0	3250	690	32700	1.30	FAF	97 R57	DT	80N4	210	367	
2.3	2860	605	33600	1.50	F	97 R57	DT	80N4	195	367	
2.6	2490	529	34400	1.75	FF	97 R57	DT	80N4	230	367	
3.0	2200	467	35000	1.95							
3.4	1890	406	35600	2.3							
3.8	1700	363	35900	2.5							
2.0	3170	674	11300	0.95	FA	87 R57	DT	80N4	120	367	
2.3	2880	609	23400	1.05	FAF	87 R57	DT	80N4	135	367	
2.7	2430	515	25000	1.25	F	87 R57	DT	80N4	130	367	
3.1	2140	452	26000	1.40	FF	87 R57	DT	80N4	145	367	
4.0	1610	345	27500	1.85							
3.8	1750	367	13800	0.85	FA	77 R37	DT	80N4	70	367	
4.3	1550	323	15400	0.95	FAF	77 R37	DT	80N4	76	367	
4.9	1340	280	16700	1.10	F	77 R37	DT	80N4	74	367	
					FF	77 R37	DT	80N4	84	367	
2.7	2640	254.40*	61100	2.9	FA	107	DV	100M8	255	357	
					FAF	107	DV	100M8	275	356	
					F	107	DV	100M8	270	355	
					FF	107	DV	100M8	300	356	
2.5	2870	276.77	33600	1.50	FA	97	DV	100M8	180	352	
2.7	2630	253.41	34100	1.65	FAF	97	DV	100M8	200	351	
3.1	2320	223.88	34800	1.85	F	97	DV	100M8	185	350	
					FF	97	DV	100M8	220	351	
3.2	2200	276.77	35000	1.95	FA	97	DT	90S6	170	352	
3.6	2020	253.41	35400	2.1	FAF	97	DT	90S6	190	351	
4.0	1780	223.88	35800	2.4	F	97	DT	90S6	175	350	
					FF	97	DT	90S6	210	351	
3.3	2150	270.68	26000	1.40							
3.5	2030	255.37	26300	1.50	FA	87	DT	90S6	105	347	
3.9	1820	228.93	27000	1.65	FAF	87	DT	90S6	120	346	
4.6	1570	197.20	27600	1.90	F	87	DT	90S6	110	345	
5.0	1430	179.97	28000	2.1	FF	87	DT	90S6	125	346	
5.6	1270	159.61	28400	2.4							
5.1	1400	270.68	28100	2.1	FA	87	DT	80N4	100	347	
5.4	1330	255.37	28200	2.3	FAF	87	DT	80N4	115	346	
6.0	1190	228.93	28600	2.5	F	87	DT	80N4	105	345	
					FF	87	DT	80N4	120	346	
4.5	1580	198.31	15200	0.95	FA	77	DT	90S6	66	342	
4.8	1500	188.40	15700	1.00	FAF	77	DT	90S6	73	341	
5.4	1320	166.47	16800	1.15	F	77	DT	90S6	70	340	
6.3	1130	142.27	17800	1.30	FF	77	DT	90S6	81	341	
6.9	1040	130.42	18200	1.45							


F..DR/DT/DV
F..D.. [kW]

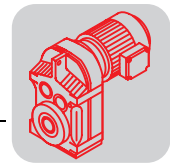
P_m [kW]	n_a [1/min]	M_a [Nm]	i	$F_{Ra}^{1)}$ [N]	SEW f_B					m [kg]	
0.75	6.1	1170	225.79	17600	1.30	FA	77	DT	80N4	61	342
	7.0	1030	198.31	18200	1.45	FAF	77	DT	80N4	68	341
	7.3	980	188.40	18400	1.55	F	77	DT	80N4	65	340
						FF	77	DT	80N4	76	341
	8.3	860	166.47	18800	1.75	FA	77	DT	80N4	61	342
	9.7	740	142.27	19200	2.0	FAF	77	DT	80N4	68	341
	11	675	130.42	19300	2.2	F	77	DT	80N4	65	340
	12	595	114.45	19500	2.5	FF	77	DT	80N4	76	341
	13	565	108.46*	19600	2.7						
	8.1	890	170.85	9670	0.90	FA	67	DT	80N4	37	337
	8.5	840	162.31	10100	0.95	FAF	67	DT	80N4	44	336
	9.7	740	142.40	11000	1.10	F	67	DT	80N4	40	335
	11	625	120.79	11700	1.30	FF	67	DT	80N4	46	336
	13	565	109.04	12100	1.45						
	14	500	95.94	12400	1.65	FA	67	DT	80N4	37	337
	15	470	90.59	12500	1.75	FAF	67	DT	80N4	44	336
	17	415	79.76	12800	2.0	F	67	DT	80N4	40	335
	20	350	67.65	13000	2.3	FF	67	DT	80N4	46	336
	23	315	61.07	13000	2.6						
	11	660	127.27	5290	0.90						
	13	570	110.01	9420	1.05						
	15	485	93.47	10000	1.25	FA	57	DT	80N4	33	332
	17	435	83.46	10400	1.40	FAF	57	DT	80N4	39	331
	19	380	72.98	10700	1.60	F	57	DT	80N4	34	330
	20	355	68.22	10800	1.70	FF	57	DT	80N4	40	331
	23	305	58.97	11100	1.95						
	28	260	50.10	11300	2.3						
	31	230	44.73	11400	2.6						
	17	415	79.72	5060	0.95	FA	47	DT	80N4	25	327
	20	355	68.09	6520	1.15	FAF	47	DT	80N4	28	326
	21	340	65.36	6680	1.20	F	47	DT	80N4	26	325
						FF	47	DT	80N4	29	326
	24	295	56.49	7120	1.35						
	29	250	48.00*	7470	1.60	FA	47	DT	80N4	25	327
	32	220	42.86	7640	1.80	FAF	47	DT	80N4	28	326
	38	190	36.61	7820	2.1	F	47	DT	80N4	26	325
	40	178	34.29	7850	2.3	FF	47	DT	80N4	29	326
	48	150	28.88	7540	2.7						
	29	245	47.02	3530	0.80						
	31	230	43.83	3850	0.90	FA	37	DT	80N4	21	322
	36	199	38.31	4310	1.00	FAF	37	DT	80N4	22	321
	38	186	35.91	4480	1.05	F	37	DT	80N4	21	320
	44	165	31.69	4620	1.20	FF	37	DT	80N4	23	321
	49	146	28.09	4540	1.35						
	58	123	23.63	4400	1.65						
	67	107	20.57	4290	1.85	FA	37	DT	80N4	20	322
	72	100	19.27	4240	2.0	FAF	37	DT	80N4	22	321
	81	88	17.03	4130	2.3	F	37	DT	80N4	21	320
	96	74	14.33	3970	2.7	FF	37	DT	80N4	23	321
	107	67	12.87	3870	3.0						
	59	121	23.25	2920	1.10						
	68	105	20.15	2870	1.25						
	73	98	18.84	2850	1.35						
	85	85	16.28	2790	1.55						
	100	72	13.84	2720	1.80						
	112	64	12.35	2660	2.0	FA	27	DT	80N4	14	318
	131	55	10.55	2580	2.4	FAF	27	DT	80N4	15	317
	140	51	9.88	2540	2.5	F	27	DT	80N4	15	316
	147	49	9.40	2470	2.7	FF	27	DT	80N4	16	317
	170	42	8.13	2390	2.9						
	200	36	6.91	2310	3.2						
	224	32	6.17	2250	3.4						
	262	27	5.27	2160	3.7						
	280	26	4.93	2130	3.8						
	332	22	4.16	2030	4.0						

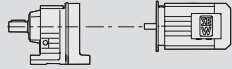



P_m [kW]	n_a [1/min]	M_a [Nm]	i	$F_{Ra}^{1)}$ [N]	SEW f_B					m [kg]	
0.75	332	22	8.13	2030	5.7						
	391	18	6.91	1950	6.2	FA	27	DT	80K2	13	318
	438	16	6.17	1890	6.7	FAF	27	DT	80K2	14	317
	513	14	5.27	1810	7.1	F	27	DT	80K2	14	316
	547	13	4.93	1770	7.3	FF	27	DT	80K2	15	317
650	11	4.16	1690	7.9							
1.1	0.50	18200	2780	99600	1.00	FA	157 R97	DT	90S4	770	367
						FAF	157 R97	DT	90S4	830	367
						F	157 R97	DT	90S4	790	367
						FF	157 R97	DT	90S4	900	367
	0.58	16100	2427	105500	1.10						
	0.64	14400	2185	109500	1.25						
	0.72	12800	1944	112700	1.40						
	0.84	11300	1674	115300	1.60	FA	157 R97	DT	90S4	770	367
	1.1	8750	1308	118900	2.1	FAF	157 R97	DT	90S4	830	367
	1.2	7750	1169	120000	2.3	F	157 R97	DT	90S4	790	367
	1.5	6200	953	120000	2.9	FF	157 R97	DT	90S4	900	367
	1.7	5420	845	120000	3.3						
	3.1	2870	446	120000	6.3						
	4.6	1940	302	120000	9.3						
	0.69	14000	2038	86600	0.85	FA	127 R77	DT	90S4	435	367
	0.79	12200	1784	90000	1.00	FAF	127 R77	DT	90S4	470	367
	0.87	11000	1606	90000	1.10	F	127 R77	DT	90S4	470	367
	1.0	9480	1390	90000	1.25	FF	127 R77	DT	90S4	520	367
	1.2	8280	1220	90000	1.45						
	1.3	7360	1077	90000	1.65						
	1.1	8480	1243	47600	0.90	FA	107 R77	DT	90S4	285	367
	1.3	7490	1087	50300	1.00	FAF	107 R77	DT	90S4	305	367
	1.5	6480	950	52900	1.20	F	107 R77	DT	90S4	300	367
	1.7	5660	834	54800	1.35	FF	107 R77	DT	90S4	330	367
	1.9	4970	736	56400	1.55						
	2.2	4380	640	57600	1.75						
	2.0	4750	690	25100	0.90	FA	97 R57	DT	90S4	195	367
	2.3	4170	605	30300	1.05	FAF	97 R57	DT	90S4	215	367
	2.6	3640	529	31700	1.20	F	97 R57	DT	90S4	200	367
	3.0	3210	467	32800	1.35	FF	97 R57	DT	90S4	235	367
	3.5	2770	406	33800	1.55						
	3.9	2490	363	34400	1.75						
	3.1	3130	452	14100	0.95	FA	87 R57	DT	90S4	125	367
	4.1	2360	345	25300	1.25	FAF	87 R57	DT	90S4	140	367
	4.7	2050	300	26300	1.45	F	87 R57	DT	90S4	135	367
	5.6	1700	249	27300	1.75	FF	87 R57	DT	90S4	150	367
	2.6	3990	254.40*	58500	1.95	FA	107	DV	100L8	260	357
	3.1	3380	215.37	59700	2.3	FAF	107	DV	100L8	280	356
	3.4	3120	199.31	60200	2.5	F	107	DV	100L8	275	355
	3.8	2800	178.64	60800	2.7	FF	107	DV	100L8	300	356
	3.3	3160	276.77	32900	1.35	FA	97	DT	90L6	170	352
	3.6	2890	253.41	33600	1.50	FAF	97	DT	90L6	190	351
	4.1	2560	223.88	34300	1.70	F	97	DT	90L6	175	350
	4.8	2170	189.92	35100	2.0	FF	97	DT	90L6	210	351
	5.3	2000	174.87	35400	2.2						
	5.1	2080	276.77	35200	2.1	FA	97	DT	90S4	170	352
	5.5	1900	253.41	35600	2.3	FAF	97	DT	90S4	190	351
	6.2	1680	223.88	36000	2.6	F	97	DT	90S4	175	350
						FF	97	DT	90S4	210	351
	3.4	3090	270.68	16000	0.95	FA	87	DT	90L6	105	347
	3.6	2920	255.37	22700	1.05	FAF	87	DT	90L6	120	346
	4.0	2610	228.93	24400	1.15	F	87	DT	90L6	110	345
	4.7	2250	197.20	25700	1.35	FF	87	DT	90L6	125	346
	5.1	2050	179.97	26300	1.45						
	5.8	1820	159.61	27000	1.65						


F..DR/DT/DV
F..D.. [kW]

P_m [kW]	n_a [1/min]	M_a [Nm]	i	$F_{Ra}^{1)}$ [N]	SEW f_B					m [kg]	
1.1	5.2	2030	270.68	26300	1.50	FA	87	DT	90S4	105	347
	5.5	1920	255.37	26700	1.55	FAF	87	DT	90S4	120	346
	6.1	1720	228.93	27200	1.75	F	87	DT	90S4	110	345
	7.1	1480	197.20	27900	2.0	FF	87	DT	90S4	125	346
	7.8	1350	179.97	28200	2.2	FA	87	DT	90S4	105	347
	8.8	1200	159.61	28500	2.5	FAF	87	DT	90S4	120	346
	10	1010	134.16	29000	3.0	F	87	DT	90S4	110	345
	11	930	123.29	29100	3.2	FF	87	DT	90S4	125	346
	7.1	1490	198.31	15800	1.00	FA	77	DT	90S4	66	342
	7.4	1410	188.40	16300	1.05	FAF	77	DT	90S4	73	341
8.4	1250	166.47	17200	1.20	F	77	DT	90S4	70	340	
9.8	1070	142.27	18000	1.40	FF	77	DT	90S4	81	341	
11	980	130.42	18400	1.55							
12	860	114.45	18800	1.75	FA	77	DT	90S4	66	342	
13	810	108.46*	18900	1.85	FAF	77	DT	90S4	73	341	
15	710	94.93	19200	2.1	F	77	DT	90S4	70	340	
16	640	85.52	19400	2.3	FF	77	DT	90S4	81	341	
19	565	75.02	19600	2.7							
12	910	120.79	9460	0.90							
13	820	109.04	10300	1.00							
15	720	95.94	11100	1.15							
15	680	90.59	11400	1.20							
18	600	79.76	11900	1.35	FA	67	DT	90S4	42	337	
21	510	67.65	12400	1.60	FAF	67	DT	90S4	49	336	
23	460	61.07	12600	1.80	F	67	DT	90S4	45	335	
26	405	53.73	12800	2.0	FF	67	DT	90S4	51	336	
28	380	50.74	12900	2.2							
32	325	43.20	13000	2.5							
36	295	39.26	13000	2.7							
41	255	34.01	13000	2.9							
17	625	83.46	8470	0.95							
19	550	72.98	9590	1.10							
21	510	68.22	9840	1.15							
24	440	58.97	10300	1.35	FA	57	DT	90S4	38	332	
28	375	50.10	10700	1.60	FAF	57	DT	90S4	44	331	
31	335	44.73	10700	1.80	F	57	DT	90S4	39	330	
37	285	38.21	10400	2.1	FF	57	DT	90S4	45	331	
39	270	35.79	10200	2.2							
46	225	30.15	9810	2.6							
25	425	56.49	3730	0.95	FA	47	DT	90S4	31	327	
29	360	48.00*	6440	1.10	FAF	47	DT	90S4	33	326	
					F	47	DT	90S4	32	325	
					FF	47	DT	90S4	35	326	
33	320	42.86	6860	1.25	FA	47	DT	90S4	31	327	
38	275	36.61	7280	1.45	FAF	47	DT	90S4	33	326	
41	255	34.29	7260	1.55	F	47	DT	90S4	32	325	
48	215	28.88	7040	1.85	FF	47	DT	90S4	35	326	
45	230	30.86	7130	1.75							
48	220	29.32	7060	1.80	FA	47	DT	90S4	30	327	
54	193	25.72	6880	2.1	FAF	47	DT	90S4	33	326	
64	164	21.82	6640	2.4	F	47	DT	90S4	31	325	
71	148	19.70	6490	2.7	FF	47	DT	90S4	34	326	
44	240	31.69	3660	0.85	FA	37	DT	90S4	26	322	
50	210	28.09	3970	0.95	FAF	37	DT	90S4	27	321	
59	179	23.88	3930	1.10	F	37	DT	90S4	26	320	
					FF	37	DT	90S4	28	321	
68	154	20.57	3870	1.30							
73	145	19.27	3840	1.40							
82	128	17.03	3780	1.55	FA	37	DT	90S4	26	322	
98	108	14.33	3680	1.85	FAF	37	DT	90S4	27	321	
109	97	12.87	3610	2.1	F	37	DT	90S4	26	320	
126	83	11.08	3500	2.3	FF	37	DT	90S4	28	321	
134	78	10.42	3460	2.4							
156	67	8.97	3350	2.6							





P_m [kW]	n_a [1/min]	M_a [Nm]	i	$F_{Ra}^{1)}$ [N]	SEW f_B		m [kg]		
1.1	69	151	20.15	2440	0.85				
	74	141	18.84	2450	0.90				
	86	122	16.28	2440	1.05				
	101	104	13.84	2420	1.25				
	113	93	12.35	2390	1.40				
	133	79	10.55	2350	1.65	FA 27	DT 90S4	20	318
	142	74	9.88	2330	1.75	FAF 27	DT 90S4	20	317
	149	71	9.40	2240	1.85	F 27	DT 90S4	20	316
	172	61	8.13	2200	2.0	FF 27	DT 90S4	21	317
	203	52	6.91	2140	2.2				
	227	46	6.17	2090	2.4				
	266	40	5.27	2030	2.5				
	284	37	4.93	2000	2.6				
	337	31	4.16	1930	2.8				
	332	32	8.13	1940	3.9				
	391	27	6.91	1860	4.2	FA 27	DT 80N2	14	318
	438	24	6.17	1810	4.5	FAF 27	DT 80N2	15	317
	513	21	5.27	1740	4.9	F 27	DT 80N2	15	316
547	19	4.93	1710	5.0	FF 27	DT 80N2	16	317	
650	16	4.16	1640	5.4					
1.5	0.58	22200	2427	83000	0.80				
	0.65	19800	2185	94400	0.90				
	0.73	17600	1944	101300	1.00				
	0.84	15500	1674	107000	1.15	FA 157 R97	DT 90L4	770	367
	1.1	12000	1308	114100	1.50	FAF 157 R97	DT 90L4	830	367
	1.2	10700	1169	116300	1.70	F 157 R97	DT 90L4	790	367
	1.5	8580	953	119100	2.1	FF 157 R97	DT 90L4	900	367
	1.7	7540	845	120000	2.4				
	3.2	3980	446	120000	4.5				
	4.7	2700	302	120000	6.7				
	0.88	15000	1606	84600	0.80				
	1.0	13000	1390	88600	0.95				
	1.2	11300	1220	90000	1.05	FA 127 R77	DT 90L4	435	367
	1.3	10100	1077	90000	1.20	FAF 127 R77	DT 90L4	475	367
	1.5	8630	930	90000	1.40	F 127 R77	DT 90L4	470	367
	1.7	7590	820	90000	1.60	FF 127 R77	DT 90L4	520	367
	1.9	6710	727	90000	1.80				
	2.2	6050	648	90000	2.0				
	1.5	8850	950	46600	0.85				
	1.7	7740	834	49700	1.00				
	1.9	6810	736	52100	1.15	FA 107 R77	DT 90L4	285	367
	2.2	5980	640	54100	1.30	FAF 107 R77	DT 90L4	305	367
	2.5	5170	560	55900	1.50	F 107 R77	DT 90L4	300	367
	2.9	4520	489	57400	1.70	FF 107 R77	DT 90L4	330	367
	3.2	4070	436	58300	1.90				
	3.8	3450	370	59500	2.2				
	2.7	4960	529	15500	0.85	FA 97 R57	DT 90L4	195	367
	3.0	4380	467	29700	1.00	FAF 97 R57	DT 90L4	215	367
	3.5	3790	406	31300	1.15	F 97 R57	DT 90L4	200	367
	3.9	3400	363	32400	1.25	FF 97 R57	DT 90L4	235	367
	4.7	2800	300	23700	1.05	FA 87 R57	DT 90L4	130	367
	5.7	2320	249	25400	1.30	FAF 87 R57	DT 90L4	140	367
						F 87 R57	DT 90L4	135	367
						FF 87 R57	DT 90L4	150	367
	2.8	5210	254.40*	55900	1.50	FA 107	DV 112M8	265	357
	3.2	4410	215.37	57600	1.75	FAF 107	DV 112M8	285	356
3.5	4080	199.31	58300	1.90	F 107	DV 112M8	280	355	
3.9	3660	178.64	59100	2.1	FF 107	DV 112M8	305	356	
3.6	3960	254.40*	58500	1.95	FA 107	DV 100M6	255	357	
4.3	3350	215.37	59700	2.3	FAF 107	DV 100M6	275	356	
4.6	3100	199.31	60200	2.5	F 107	DV 100M6	270	355	
5.2	2780	178.64	60800	2.8	FF 107	DV 100M6	300	356	

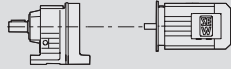


F..DR/DT/DV
F..D.. [kW]

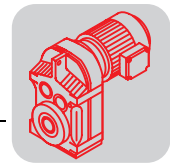
P_m [kW]	n_a [1/min]	M_a [Nm]	i	$F_{Ra}^{1)}$ [N]	SEW f_B					m [kg]		
1.5	3.3	4310	276.77	29900	1.00							
	3.6	3950	253.41	30900	1.10	FA	97	DV	100M6	180	352	
	4.1	3490	223.88	32100	1.25	FAF	97	DV	100M6	200	351	
	4.8	2960	189.92	33400	1.45	F	97	DV	100M6	185	350	
	5.3	2720	174.87	33900	1.60	FF	97	DV	100M6	220	351	
	5.1	2810	276.77	33700	1.55			DT	90L4	170	352	
	5.6	2570	253.41	34300	1.65	FAF	97	DT	90L4	190	351	
	6.3	2270	223.88	34900	1.90	F	97	DT	90L4	175	350	
	7.4	1930	189.92	35500	2.2	FF	97	DT	90L4	210	351	
	8.1	1780	174.87	35800	2.4							
	5.2	2750	270.68	23900	1.10	FA	87	DT	90L4	105	347	
	5.5	2590	255.37	24500	1.15	FAF	87	DT	90L4	120	346	
	6.2	2330	228.93	25400	1.30	F	87	DT	90L4	110	345	
	7.2	2000	197.20	26400	1.50	FF	87	DT	90L4	125	346	
	7.8	1830	179.97	26900	1.65							
	8.8	1620	159.61	27500	1.85	FA	87	DT	90L4	105	347	
	11	1360	134.16	28200	2.2	FAF	87	DT	90L4	120	346	
	13	1110	109.49	28700	2.7	F	87	DT	90L4	110	345	
	14	990	97.89	29000	3.0	FF	87	DT	90L4	125	346	
	8.5	1690	166.47	14300	0.90	FA	77	DT	90L4	67	342	
	9.9	1450	142.27	16100	1.05	FAF	77	DT	90L4	74	341	
	11	1320	130.42	16800	1.15	F	77	DT	90L4	71	340	
	12	1160	114.45	17600	1.30	FF	77	DT	90L4	82	341	
	13	1100	108.46*	17900	1.35							
	15	960	94.93	18400	1.55							
	16	870	85.52	18800	1.75							
	19	760	75.02	19100	1.95	FA	77	DT	90L4	67	342	
	19	735	72.50	19200	2.0	FAF	77	DT	90L4	74	341	
	21	675	66.46	19300	2.2	F	77	DT	90L4	71	340	
	24	595	58.32	19500	2.5	FF	77	DT	90L4	82	341	
	26	560	55.27	19600	2.7							
	29	490	48.37	19700	3.1							
	32	445	43.58	19800	3.4							
	37	390	38.23	19900	3.9							
	39	370	36.58	19900	3.0	FA	77	DT	90L4	66	342	
	45	320	31.51	20000	4.3	FAF	77	DT	90L4	72	341	
						F	77	DT	90L4	70	340	
						FF	77	DT	90L4	80	341	
	16	920	90.59	9300	0.90							
	18	810	79.76	10400	1.00							
	21	685	67.65	11400	1.20	FA	67	DT	90L4	44	337	
	23	620	61.07	11800	1.30	FAF	67	DT	90L4	51	336	
	26	545	53.73	12200	1.50	F	67	DT	90L4	47	335	
	28	515	50.74	12300	1.60	FF	67	DT	90L4	53	336	
	33	440	43.20	12700	1.85							
	36	400	39.26	12800	1.95							
	39	370	36.30	12900	2.2	FA	67	DT	90L4	43	337	
	44	325	32.08	13000	2.5	FAF	67	DT	90L4	50	336	
	51	280	27.41	13000	2.9	F	67	DT	90L4	46	335	
	56	255	25.13	13000	3.2	FF	67	DT	90L4	52	336	
24	600	58.97	9210	1.00								
28	510	50.10	9860	1.20	FA	57	DT	90L4	40	332		
32	455	44.73	9990	1.30	FAF	57	DT	90L4	46	331		
37	390	38.21	9740	1.55	F	57	DT	90L4	41	330		
39	365	35.79	9620	1.65	FF	57	DT	90L4	47	331		
47	305	30.15	9310	1.95								
33	435	42.86	575	0.90	FA	47	DT	90L4	32	327		
39	370	36.61	6300	1.10	FAF	47	DT	90L4	35	326		
41	350	34.29	6580	1.15	F	47	DT	90L4	33	325		
49	295	28.88	6500	1.35	FF	47	DT	90L4	36	326		



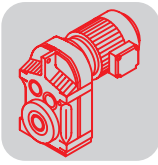
P_m [kW]	n_a [1/min]	M_a [Nm]	i	$F_{Ra}^{1)}$ [N]	SEW f_B					m [kg]	
1.5	46	315	30.86	6550	1.30						
	48	300	29.32	6510	1.35						
	55	260	25.72	6390	1.55	FA	47	DT	90L4	31	327
	65	220	21.82	6230	1.80	FAF	47	DT	90L4	34	326
	72	200	19.70	6110	2.0	F	47	DT	90L4	32	325
	81	176	17.33	5970	2.3	FF	47	DT	90L4	35	326
	86	166	16.36	5900	2.4						
	101	142	13.93	5700	2.8						
	69	210	20.57	3410	0.95						
	73	196	19.27	3410	1.00						
	83	173	17.03	3400	1.15	FA	37	DT	90L4	27	322
	98	146	14.33	3350	1.35	FAF	37	DT	90L4	29	321
	110	131	12.87	3310	1.55	F	37	DT	90L4	28	320
	127	113	11.08	3250	1.70	FF	37	DT	90L4	29	321
	135	106	10.42	3220	1.75						
	157	91	8.97	3140	1.90						
	176	81	8.01	3080	2.1						
	102	141	13.84	2080	0.90						
	114	126	12.35	2090	1.05						
	134	107	10.55	2090	1.20						
143	100	9.88	2090	1.30	FA	27	DT	90L4	21	318	
150	96	9.40	1990	1.35	FAF	27	DT	90L4	22	317	
173	83	8.13	1980	1.50	F	27	DT	90L4	21	316	
204	70	6.91	1950	1.60	FF	27	DT	90L4	22	317	
229	63	6.17	1930	1.75							
268	54	5.27	1890	1.85							
286	50	4.93	1870	1.90							
339	42	4.16	1810	2.1							
344	42	8.13	1810	3.0							
405	35	6.91	1750	3.2	FA	27	DT	90S2	20	318	
454	32	6.17	1710	3.5	FAF	27	DT	90S2	20	317	
532	27	5.27	1660	3.7	F	27	DT	90S2	20	316	
568	25	4.93	1630	3.8	FF	27	DT	90S2	21	317	
674	21	4.16	1570	4.1							
2.2	0.98	18700	1441	98000	0.95	FA	157 R97	DV	100M4	780	367
						FAF	157 R97	DV	100M4	840	367
						F	157 R97	DV	100M4	800	367
						FF	157 R97	DV	100M4	910	367
	1.1	17900	1308	100700	1.00						
	1.2	15900	1169	106000	1.15						
	1.5	12800	953	112600	1.40						
	1.7	11300	845	115300	1.60						
	1.9	10200	764	117000	1.75	FA	157 R97	DV	100M4	780	367
	2.1	9040	680	118500	2.0	FAF	157 R97	DV	100M4	840	367
	2.5	7580	576	120000	2.4	F	157 R97	DV	100M4	800	367
	3.2	5970	446	120000	3.0	FF	157 R97	DV	100M4	910	367
	4.7	4040	302	120000	4.5						
	5.2	3630	273	120000	5.0						
	6.1	3050	232	120000	5.9						
	7.2	2590	197	120000	7.0						
	1.3	14900	1077	84800	0.80						
	1.5	12800	930	88900	0.95						
	1.7	11300	820	90000	1.05	FA	127 R77	DV	100M4	445	367
	1.9	9960	727	90000	1.20	FAF	127 R77	DV	100M4	480	367
	2.2	8940	648	90000	1.35	F	127 R77	DV	100M4	480	367
	2.6	7580	549	90000	1.60	FF	127 R77	DV	100M4	520	367
	2.9	6820	495	90000	1.75						
	3.3	5900	428	90000	2.0						
	2.2	8830	640	46600	0.85						
	2.5	7670	560	49800	1.00	FA	107 R77	DV	100M4	290	367
	2.9	6700	489	52300	1.15	FAF	107 R77	DV	100M4	315	367
	3.2	6010	436	54000	1.30	F	107 R77	DV	100M4	310	367
	3.8	5100	370	56100	1.50	FF	107 R77	DV	100M4	335	367
4.2	4590	333	57200	1.65							
4.9	3950	285	30900	1.10	FA	97 R57	DV	100M4	200	367	
5.8	3390	245	32400	1.25	FAF	97 R57	DV	100M4	225	367	
					F	97 R57	DV	100M4	210	367	
					FF	97 R57	DV	100M4	240	367	


F..DR/DT/DV
F..D.. [kW]

P_m [kW]	n_a [1/min]	M_a [Nm]	i	$F_{Ra}^{1)}$ [N]	SEW f_B					m [kg]	
2.2	2.8	7640	254.40*	49900	1.00	FA	107	DV	132S8	270	357
	3.2	6460	215.37	52900	1.20	FAF	107	DV	132S8	290	356
	3.5	5980	199.31	54100	1.30	F	107	DV	132S8	285	355
	3.9	5360	178.64	55500	1.45	FF	107	DV	132S8	315	356
	3.7	5690	254.40*	54800	1.35	FA	107	DV	112M6	265	357
	4.4	4810	215.37	56700	1.60	FAF	107	DV	112M6	285	356
	4.7	4450	199.31	57500	1.70	F	107	DV	112M6	280	355
	5.3	3990	178.64	58400	1.90	FF	107	DV	112M6	305	356
	5.5	3790	254.40*	58900	2.0	FA	107	DV	100M4	255	357
	6.5	3210	215.37	60000	2.4	FAF	107	DV	100M4	275	356
	7.1	2970	199.31	60400	2.6	F	107	DV	100M4	270	355
	7.9	2660	178.64	61000	2.9	FF	107	DV	100M4	300	356
	4.2	5000	223.88	12400	0.85	FA	97	DV	112M6	190	352
	5.0	4240	189.92	30100	1.00	FAF	97	DV	112M6	210	351
	5.4	3910	174.87	31000	1.10	F	97	DV	112M6	195	350
	6.0	3490	156.30	32100	1.25	FF	97	DV	112M6	230	351
	5.1	4120	276.77	30400	1.05						
	5.6	3780	253.41	31400	1.15						
	6.3	3340	223.88	32500	1.30	FA	97	DV	100M4	180	352
	7.4	2830	189.92	33700	1.50	FAF	97	DV	100M4	200	351
	8.1	2610	174.87	34200	1.65	F	97	DV	100M4	185	350
	9.0	2330	156.30	34800	1.85	FF	97	DV	100M4	220	351
	10	2100	140.71	35200	2.1						
	11	1900	127.42	35600	2.3						
	7.2	2940	197.20	22000	1.00	FA	87	DV	100M4	115	347
	7.8	2680	179.97	24200	1.10	FAF	87	DV	100M4	125	346
	8.8	2380	159.61	25200	1.25	F	87	DV	100M4	120	345
	11	2000	134.16	26400	1.50	FF	87	DV	100M4	135	346
	11	1840	123.29	26900	1.65						
	13	1630	109.49	27500	1.85						
	14	1460	97.89	27900	2.1						
	16	1310	88.01	28300	2.3	FA	87	DV	100M4	115	347
	18	1140	76.39	27800	2.6	FAF	87	DV	100M4	125	346
	21	1020	68.40	27100	2.9	F	87	DV	100M4	120	345
	25	850	56.75	25900	3.6	FF	87	DV	100M4	135	346
	28	750	50.36	25200	3.9						
	31	675	45.28	24500	4.2						
	12	1710	114.45	14200	0.90	FA	77	DV	100M4	74	342
	13	1620	108.46*	14900	0.95	FAF	77	DV	100M4	81	341
	15	1410	94.93	16300	1.05	F	77	DV	100M4	78	340
	16	1270	85.52	17100	1.20	FF	77	DV	100M4	89	341
	19	1120	75.02	17800	1.35						
	21	990	66.46	18300	1.50	FA	77	DV	100M4	74	342
	24	870	58.32	18800	1.75	FAF	77	DV	100M4	81	341
	26	820	55.27	18900	1.80	F	77	DV	100M4	78	340
	29	720	48.37	19200	2.1	FF	77	DV	100M4	89	341
	32	650	43.58	19400	2.3						
	39	545	36.58	19600	2.0	FA	77	DV	100M4	73	342
	45	470	31.51	19700	2.9	FAF	77	DV	100M4	79	341
	49	430	28.75	19800	3.3	F	77	DV	100M4	77	340
	55	380	25.50*	19900	4.0	FF	77	DV	100M4	87	341
	23	910	61.07	9420	0.90						
	26	800	53.73	10500	1.00	FA	67	DV	100M4	51	337
	28	755	50.74	10800	1.10	FAF	67	DV	100M4	58	336
	33	645	43.20	11600	1.25	F	67	DV	100M4	54	335
	36	585	39.26	12000	1.35	FF	67	DV	100M4	60	336
	41	505	34.01	12400	1.45						
	44	480	32.08	12500	1.70						
	51	410	27.41	12800	2.0	FA	67	DV	100M4	50	337
	56	375	25.13	12900	2.2	FAF	67	DV	100M4	57	336
	64	330	22.05	13000	2.5	F	67	DV	100M4	53	335
	67	310	20.90*	13000	2.6	FF	67	DV	100M4	59	336
	77	275	18.29	13000	3.0						





P_m [kW]	n_a [1/min]	M_a [Nm]	i	$F_{Ra}^{1)}$ [N]	SEW f_B					m [kg]	
2.2	32	665	44.73	4480	0.90	FA	57	DV	100M4	47	332
	37	570	38.21	8660	1.05	FAF	57	DV	100M4	53	331
	39	535	35.79	8620	1.15	F	57	DV	100M4	48	330
	47	450	30.15	8460	1.30	FF	57	DV	100M4	54	331
	56	370	24.96	8240	1.55	FA	57	DV	100M4	47	332
	67	315	21.17	8020	1.90	FAF	57	DV	100M4	52	331
	74	285	19.11	7870	2.1	F	57	DV	100M4	47	330
	84	250	16.81	7670	2.4	FF	57	DV	100M4	54	331
	89	235	15.88	7580	2.5						
	55	385	25.72	5560	1.05						
	65	325	21.82	5520	1.25						
	72	295	19.70	5480	1.35	FA	47	DV	100M4	38	327
	81	260	17.33	5410	1.55	FAF	47	DV	100M4	40	326
	86	245	16.36	5370	1.65	F	47	DV	100M4	38	325
	101	210	13.93	5250	1.95	FF	47	DV	100M4	42	326
	111	189	12.66	5170	2.1						
	129	163	10.97	5040	2.5						
	157	133	8.96	4740	2.5						
	98	215	14.33	2790	0.95						
	110	192	12.87	2810	1.05						
	127	165	11.08	2820	1.15						
	135	155	10.42	2810	1.20						
	157	134	8.97	2790	1.30	FA	37	DV	100M4	33	322
	176	119	8.01	2770	1.40	FAF	37	DV	100M4	35	321
	209	100	6.74	2630	1.40	F	37	DV	100M4	34	320
	233	90	6.05	2590	1.50	FF	37	DV	100M4	36	321
	271	78	5.21	2540	1.60						
	288	73	4.90	2520	1.65						
	334	63	4.22	2460	1.75						
	374	56	3.77	2400	1.85						
	139	151	20.15	1660	0.85						
	149	141	18.84	1680	0.90						
	173	122	16.28	1710	1.05						
	203	103	13.84	1730	1.25						
	227	92	12.35	1730	1.40						
	266	79	10.55	1720	1.65	FA	27	DT	90L2	21	318
	284	74	9.88	1710	1.75	FAF	27	DT	90L2	22	317
	299	70	9.40	1630	1.85	F	27	DT	90L2	22	316
	346	61	8.13	1620	2.0	FF	27	DT	90L2	22	317
	407	52	6.91	1590	2.2						
	456	46	6.17	1570	2.4						
	533	39	5.27	1530	2.5						
	570	37	4.93	1510	2.6						
	676	31	4.16	1470	2.8						
3.0	1.2	22000	1169	86000	0.80						
	1.5	17800	953	100800	1.00						
	1.7	15700	845	106400	1.15						
	1.8	14200	764	110000	1.25						
	2.1	12600	680	113000	1.45	FA	157 R97	DV	100L4	780	367
	2.4	10600	576	116400	1.70	FAF	157 R97	DV	100L4	840	367
	3.1	8310	446	119400	2.2	F	157 R97	DV	100L4	800	367
	4.6	5630	302	120000	3.2	FF	157 R97	DV	100L4	910	367
	5.1	5070	273	120000	3.6						
	6.0	4260	232	120000	4.2						
	7.1	3620	197	120000	5.0						
	1.9	13800	727	87000	0.85	FA	127 R77	DV	100L4	445	367
	2.2	12300	648	89800	0.95	FAF	127 R77	DV	100L4	485	367
	2.6	10500	549	90000	1.15	F	127 R77	DV	100L4	485	367
	2.8	9410	495	90000	1.30	FF	127 R77	DV	100L4	530	367
	3.2	8300	436	48100	0.95	FA	107 R77	DV	100L4	295	367
	3.8	7040	370	51500	1.10	FAF	107 R77	DV	100L4	315	367
	4.2	6340	333	53200	1.20	F	107 R77	DV	100L4	310	367
	4.8	5540	291	55100	1.40	FF	107 R77	DV	100L4	340	367


F..DR/DT/DV
F..D.. [kW]

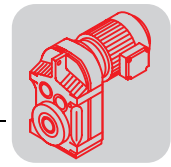
P_m [kW]	n_a [1/min]	M_a [Nm]	i	$F_{Ra}^{1)}$ [N]	SEW f_B					m [kg]	
3.0	3.7	7750	254.40*	49600	1.00	FA	107	DV	132S6	270	357
	4.4	6560	215.37	52700	1.15	FAF	107	DV	132S6	290	356
	4.7	6070	199.31	53900	1.25	F	107	DV	132S6	285	355
	5.3	5440	178.64	55300	1.40	FF	107	DV	132S6	315	356
	5.5	5210	254.40*	55900	1.50	FA	107	DV	100L4	260	357
	6.5	4410	215.37	57600	1.75	FAF	107	DV	100L4	280	356
	7.0	4080	199.31	58300	1.90	F	107	DV	100L4	275	355
	7.8	3660	178.64	59100	2.1	FF	107	DV	100L4	300	356
	8.7	3300	161.28*	59800	2.3						
	6.2	4580	223.88	29000	0.95	FA	97	DV	100L4	180	352
	7.4	3890	189.92	31100	1.10	FAF	97	DV	100L4	205	351
	8.0	3580	174.87	31900	1.20	F	97	DV	100L4	190	350
						FF	97	DV	100L4	220	351
	9.0	3200	156.30	32800	1.35						
	10	2880	140.71	33600	1.50	FA	97	DV	100L4	180	352
	11	2610	127.42	34200	1.65	FAF	97	DV	100L4	205	351
	12	2310	112.99	34800	1.85	F	97	DV	100L4	190	350
	14	2090	102.16	35200	2.1	FF	97	DV	100L4	220	351
	16	1840	89.85	35700	2.3						
	10	2750	134.16	23900	1.10	FA	87	DV	100L4	120	347
	11	2520	123.29	24700	1.20	FAF	87	DV	100L4	130	346
	13	2240	109.49	25700	1.35	F	87	DV	100L4	125	345
						FF	87	DV	100L4	140	346
	14	2000	97.89	26400	1.50						
	16	1800	88.01	26900	1.65	FA	87	DV	100L4	120	347
	18	1560	76.39	26300	1.90	FAF	87	DV	100L4	130	346
	20	1400	68.40	25700	2.1	F	87	DV	100L4	125	345
	25	1160	56.75	24800	2.6	FF	87	DV	100L4	140	346
	28	1030	50.36	24100	2.9						
	16	1750	85.52	13800	0.85	FA	77	DV	100L4	78	342
	19	1540	75.02	15500	1.00	FAF	77	DV	100L4	85	341
	21	1360	66.46	16600	1.10	F	77	DV	100L4	82	340
						FF	77	DV	100L4	93	341
	24	1190	58.32	17500	1.25						
	25	1130	55.27	17800	1.35	FA	77	DV	100L4	78	342
	29	990	48.37	18300	1.50	FAF	77	DV	100L4	85	341
	32	890	43.58	18700	1.70	F	77	DV	100L4	82	340
	37	780	38.23	19000	1.90	FF	77	DV	100L4	93	341
	38	750	36.58	19100	1.50						
	44	645	31.51	19400	2.1	FA	77	DV	100L4	77	342
	49	590	28.75	19500	2.4	FAF	77	DV	100L4	83	341
	55	520	25.50*	19700	2.9	F	77	DV	100L4	81	340
	65	440	21.43	19800	3.4	FF	77	DV	100L4	91	341
	32	880	43.20	9690	0.95	FA	67	DV	100L4	55	337
	36	800	39.26	10500	0.95	FAF	67	DV	100L4	62	336
	41	695	34.01	11300	1.05	F	67	DV	100L4	58	335
						FF	67	DV	100L4	64	336
	44	655	32.08	11600	1.25						
	51	560	27.41	12100	1.45						
	56	515	25.13	12300	1.60	FA	67	DV	100L4	54	337
63	450	22.05	12600	1.80	FAF	67	DV	100L4	61	336	
67	430	20.90*	12700	1.90	F	67	DV	100L4	57	335	
77	375	18.29	12900	2.2	FF	67	DV	100L4	63	336	
85	335	16.48	13000	2.4							
97	295	14.46	13000	2.8							
56	510	24.96	7440	1.15							
66	435	21.17	7340	1.40							
73	390	19.11	7260	1.55	FA	57	DV	100L4	51	332	
83	345	16.81	7140	1.75	FAF	57	DV	100L4	56	331	
88	325	15.88	7080	1.85	F	57	DV	100L4	51	330	
104	275	13.52	6890	2.2	FF	57	DV	100L4	58	331	
114	250	12.29	6780	2.4							
132	220	10.64	6590	2.8							



P_m [kW]	n_a [1/min]	M_a [Nm]	i	$F_{Ra}^{1)}$ [N]	SEW f_B					m [kg]	
3.0	71	405	19.70	4750	1.00						
	81	355	17.33	4760	1.15	FA	47	DV	100L4	42	327
	86	335	16.36	4760	1.20	FAF	47	DV	100L4	44	326
	100	285	13.93	4740	1.40	F	47	DV	100L4	42	325
	111	260	12.66	4700	1.55	FF	47	DV	100L4	46	326
	128	225	10.97	4640	1.80						
	156	183	8.96	4370	1.80						
	126	225	11.08	2320	0.85						
	134	215	10.42	2350	0.85						
	156	184	8.97	2390	0.95						
	175	164	8.01	2410	1.05	FA	37	DV	100L4	37	322
	208	138	6.74	2290	1.00	FAF	37	DV	100L4	39	321
	231	124	6.05	2300	1.10	F	37	DV	100L4	38	320
	269	107	5.21	2290	1.15	FF	37	DV	100L4	40	321
	286	100	4.90	2280	1.20						
	332	86	4.22	2250	1.25						
	372	77	3.77	2220	1.35						
	4.0	1.7	20800	845	90700	0.85					
1.9		18800	764	97800	0.95						
2.1		16700	680	103900	1.10	FA	157 R97	DV	112M4	790	367
2.5		14100	576	110100	1.30	FAF	157 R97	DV	112M4	850	367
3.2		11000	446	115700	1.65	F	157 R97	DV	112M4	810	367
4.7		7460	302	120000	2.4	FF	157 R97	DV	112M4	920	367
5.2		6720	273	120000	2.7						
6.1		5660	232	120000	3.2						
7.2		4800	197	120000	3.8						
2.6		13800	549	87000	0.85	FA	127 R77	DV	112M4	455	367
2.9		12400	495	89700	0.95	FAF	127 R77	DV	112M4	490	367
3.3		10700	428	90000	1.10	F	127 R77	DV	112M4	490	367
3.8		9410	376	90000	1.30	FF	127 R77	DV	112M4	530	367
4.3		8350	333	48000	0.90	FA	107 R77	DV	112M4	300	367
4.9		7300	291	50800	1.05	FAF	107 R77	DV	112M4	325	367
5.6		6400	255	53100	1.20	F	107 R77	DV	112M4	320	367
						FF	107 R77	DV	112M4	345	367
4.2		9060	170.83	90000	1.30	FA	127	DV	132ML8	445	361
4.7		8150	153.67*	90000	1.45	FAF	127	DV	132ML8	485	360
5.7		6650	125.37	90000	1.80	F	127	DV	132ML8	485	359
						FF	127	DV	132ML8	530	360
5.6		6840	254.40*	52000	1.10						
6.6		5790	215.37	54500	1.35						
7.1		5360	199.31	55500	1.45						
8.0		4810	178.64	56700	1.60	FA	107	DV	112M4	265	357
8.8		4340	161.28*	57700	1.75	FAF	107	DV	112M4	285	356
9.7		3940	146.49	58500	1.95	F	107	DV	112M4	280	355
11		3500	129.97	59400	2.2	FF	107	DV	112M4	305	356
12		3170	117.94	60100	2.4						
14		2730	101.38*	60900	2.8						
8.1		4700	174.87	26600	0.90	FA	97	DV	112M4	190	352
9.1		4200	156.30	30200	1.00	FAF	97	DV	112M4	210	351
10		3780	140.71	31400	1.15	F	97	DV	112M4	195	350
11		3430	127.42	32300	1.25	FF	97	DV	112M4	230	351
13		3040	112.99	33200	1.40						
14		2750	102.16	33900	1.55						
15		2620	97.58	34100	1.65	FA	97	DV	112M4	190	352
16		2420	89.85	34600	1.80	FAF	97	DV	112M4	210	351
18		2160	80.31	35100	2.0	F	97	DV	112M4	195	350
20		1940	72.29	35500	2.2	FF	97	DV	112M4	230	351
22		1760	65.47	35800	2.4						
13		2950	109.49	21700	1.00	FA	87	DV	112M4	125	347
15		2630	97.89	24300	1.15	FAF	87	DV	112M4	135	346
16		2370	88.01	24600	1.25	F	87	DV	112M4	130	345
						FF	87	DV	112M4	145	346
19		2050	76.39	24200	1.45						
21		1840	68.40	23900	1.65	FA	87	DV	112M4	125	347
25		1530	56.75	23200	1.95	FAF	87	DV	112M4	135	346
28	1350	50.36	22800	2.2	F	87	DV	112M4	130	345	
31	1220	45.28	22300	2.3	FF	87	DV	112M4	145	346	


F..DR/DT/DV
F..D.. [kW]



P_m [kW]	n_a [1/min]	M_a [Nm]	i	$F_{Ra}^{1)}$ [N]	SEW f_B					m [kg]	
4.0	21	1790	66.46	13400	0.85	FA	77	DV	112M4	84	342
	24	1570	58.32	15200	0.95	FAF	77	DV	112M4	91	341
	26	1490	55.27	15800	1.00	F	77	DV	112M4	88	340
	29	1300	48.37	16900	1.15	FF	77	DV	112M4	99	341
	33	1170	43.58	17600	1.30	FA	77	DV	112M4	84	342
	37	1030	38.23	18200	1.45	FAF	77	DV	112M4	91	341
	42	910	33.74	18600	1.65	F	77	DV	112M4	88	340
	47	800	29.91	19000	1.85	FF	77	DV	112M4	99	341
	56	685	25.54	19300	2.1						
	45	850	31.51	18800	1.65	FA	77	DV	112M4	83	342
	49	775	28.75	19100	1.85	FAF	77	DV	112M4	89	341
	56	685	25.50*	19300	2.2	F	77	DV	112M4	87	340
	66	575	21.43	19500	2.6	FF	77	DV	112M4	97	341
	72	530	19.70	19600	2.8						
	52	735	27.41	11000	1.10						
	57	675	25.13	11400	1.20						
	64	595	22.05	11900	1.40						
	68	560	20.90*	12100	1.45						
	78	490	18.29	12400	1.65						
	86	445	16.48	12700	1.85						
	98	390	14.46	12900	2.1						
	111	345	12.76	13000	2.4	FA	67	DV	112M4	61	337
	126	305	11.31	13000	2.7	FAF	67	DV	112M4	68	336
	147	260	9.66	13000	3.2	F	67	DV	112M4	64	335
	156	245	9.08	13000	2.2	FF	67	DV	112M4	70	336
	165	230	8.60	12800	2.5						
	189	205	7.53	12400	3.0						
	209	183	6.78	12100	3.4						
	239	160	5.95	11700	3.8						
	270	141	5.25	11400	4.2						
	305	125	4.66	11000	4.5						
	357	107	3.97	10600	4.7						
	67	570	21.17	6490	1.05						
	74	515	19.11	6490	1.15						
	84	450	16.81	6450	1.35						
	89	425	15.88	6430	1.40						
	105	365	13.52	6340	1.65	FA	57	DV	112M4	58	332
	116	330	12.29	6270	1.80	FAF	57	DV	112M4	63	331
	133	285	10.64	6150	2.1	F	57	DV	112M4	58	330
	153	250	9.31	5850	1.70	FF	57	DV	112M4	65	331
173	220	8.19	5730	1.90							
184	210	7.73	5680	2.0							
216	177	6.58	5510	2.4							
237	161	5.98	5410	2.6							
274	139	5.18	5250	3.0							
5.5	2.5	19400	576	95800	0.95						
	2.8	16900	503	103400	1.05						
	3.2	15100	446	107800	1.20	FA	157 R97	DV	132S4	800	367
	4.1	11800	353	114400	1.50	FAF	157 R97	DV	132S4	850	367
	4.7	10300	302	116900	1.75	F	157 R97	DV	132S4	820	367
	5.2	9250	273	118300	1.95	FF	157 R97	DV	132S4	920	367
	6.2	7810	232	120000	2.3						
	7.1	6790	202	120000	2.7						
	7.3	6620	197	120000	2.7						
	3.4	14200	418	86100	0.85						
	3.8	12700	374	89000	0.95	FA	127 R87	DV	132S4	480	367
	4.6	10600	312	90000	1.15	FAF	127 R87	DV	132S4	520	367
	4.9	9950	293	90000	1.20	F	127 R87	DV	132S4	520	367
	5.5	8780	259	90000	1.35	FF	127 R87	DV	132S4	560	367
	6.4	7580	223	90000	1.60						
	3.3	14700	428	85200	0.80	FA	127 R77	DV	132S4	460	367
	3.8	12900	376	88700	0.95	FAF	127 R77	DV	132S4	495	367
						F	127 R77	DV	132S4	495	367
						FF	127 R77	DV	132S4	540	367



P _m [kW]	n _a [1/min]	M _a [Nm]	i	F _{Ra} ¹⁾ [N]	SEW f _B					m [kg]		
						FA	FAF	F	FF			DV
5.5	2.6	19800	267.43	94600	0.90							
	3.3	16100	217.62*	105500	1.10							
	4.0	13200	178.20*	111900	1.35							
	4.4	12100	162.96	114000	1.50							
	5.0	10500	141.80*	116600	1.70	FA	157	DV	160M8	710	365	
	5.7	9260	125.14	118300	1.95	FAF	157	DV	160M8	770	364	
	6.5	8030	108.49	119700	2.2	F	157	DV	160M8	730	363	
	7.4	7140	96.53*	120000	2.5	FF	157	DV	160M8	840	364	
	8.3	6350	85.80*	120000	2.8							
	9.1	5800	78.46	120000	3.1							
10	5050	68.28*	120000	3.6								
4.2	12600	170.83	89200	0.95	FA	127	DV	160M8	450	361		
4.6	11400	153.67*	90000	1.05	FAF	127	DV	160M8	490	360		
5.7	9270	125.37	90000	1.30	F	127	DV	160M8	485	359		
6.2	8460	114.34	90000	1.40	FF	127	DV	160M8	530	360		
6.6	7910	215.37	49200	0.95	FA	107	DV	132S4	270	357		
7.2	7320	199.31	50800	1.05	FAF	107	DV	132S4	290	356		
8.0	6560	178.64	52700	1.15	F	107	DV	132S4	285	355		
8.9	5920	161.28*	54200	1.30	FF	107	DV	132S4	315	356		
9.8	5380	146.49	55500	1.45								
11	4770	129.97	56800	1.60								
12	4330	117.94	57700	1.75	FA	107	DV	132S4	270	357		
14	3720	101.38*	59000	2.1	FAF	107	DV	132S4	290	356		
15	3400	92.47*	59600	2.3	F	107	DV	132S4	285	355		
16	3250	88.49	59900	2.4	FF	107	DV	132S4	315	356		
17	3080	83.99	60200	2.5								
11	4680	127.42	27400	0.90	FA	97	DV	132S4	195	352		
13	4150	112.99	30300	1.05	FAF	97	DV	132S4	215	351		
14	3750	102.16	31400	1.15	F	97	DV	132S4	200	350		
					FF	97	DV	132S4	235	351		
15	3580	97.58	31900	1.20								
16	3300	89.85	32600	1.30								
17	3180	86.59	32900	1.35								
18	2950	80.31	33400	1.45	FA	97	DV	132S4	195	352		
19	2780	75.63	33800	1.55	FAF	97	DV	132S4	215	351		
20	2660	72.29	34100	1.60	F	97	DV	132S4	200	350		
22	2400	65.47	34600	1.80	FF	97	DV	132S4	235	351		
25	2130	58.06	34500	2.0								
27	1930	52.49	33900	2.2								
16	3230	88.01	5760	0.95	FA	87	DV	132S4	130	347		
19	2810	76.39	21200	1.05	FAF	87	DV	132S4	140	346		
21	2510	68.40	21200	1.20	F	87	DV	132S4	135	345		
25	2080	56.75	21000	1.45	FF	87	DV	132S4	150	346		
28	1850	50.36	20800	1.60								
32	1660	45.28	20500	1.70	FA	87	DV	132S4	130	347		
36	1440	39.30	20100	1.90	FAF	87	DV	132S4	140	346		
41	1290	35.19	19800	2.0	F	87	DV	132S4	135	345		
49	1070	29.20	19100	2.3	FF	87	DV	132S4	150	346		
42	1250	33.92	19700	2.1	FA	87	DV	132S4	125	347		
50	1060	28.78	19100	2.3	FAF	87	DV	132S4	140	346		
54	970	26.50	18800	3.1	F	87	DV	132S4	130	345		
60	870	23.68	18400	3.5	FF	87	DV	132S4	145	346		
30	1780	48.37	13500	0.85								
33	1600	43.58	15000	0.95	FA	77	DV	132S4	91	342		
37	1400	38.23	16300	1.05	FAF	77	DV	132S4	98	341		
42	1240	33.74	17300	1.20	F	77	DV	132S4	95	340		
48	1100	29.91	17900	1.35	FF	77	DV	132S4	105	341		
56	940	25.54	18500	1.55								
56	940	25.50*	18500	1.60								
67	785	21.43	19000	1.90	FA	77	DV	132S4	90	342		
73	725	19.70	19200	2.1	FAF	77	DV	132S4	96	341		
82	645	17.49	19400	2.3	F	77	DV	132S4	94	340		
91	575	15.64*	19600	2.6	FF	77	DV	132S4	105	341		
102	515	14.06	19300	2.9								
117	450	12.20	18600	3.4								



F..DR/DT/DV
F..D.. [kW]

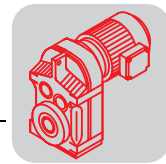
P_m [kW]	n_a [1/min]	M_a [Nm]	i	$F_{Ra}^{1)}$ [N]	SEW f_B		m [kg]			
5.5	65	810	22.05	10400	1.00					
	68	770	20.90*	10800	1.05					
	78	670	18.29	11500	1.20					
	87	605	16.48	11900	1.35					
	99	530	14.46	12300	1.55					
	112	470	12.76	12500	1.75					
	126	415	11.31	12800	1.95	FA 67	DV 132S4	66	337	
	148	355	9.66	12900	2.3	FAF 67	DV 132S4	73	336	
	158	335	9.08	12400	1.60	F 67	DV 132S4	69	335	
	166	315	8.60	12300	1.80	FF 67	DV 132S4	75	336	
	190	275	7.53	12000	2.2					
	211	250	6.78	11700	2.5					
	240	220	5.95	11400	2.8					
	272	193	5.25	11100	3.1					
	307	171	4.66	10700	3.3					
	360	146	3.97	10300	3.4					
		85	620	16.81	5450	0.95				
		90	585	15.88	5480	1.05				
		106	495	13.52	5530	1.20				
		116	450	12.29	5530	1.35	FA 57	DV 132S4	63	332
134		390	10.64	5510	1.55	FAF 57	DV 132S4	68	331	
175		300	8.19	5190	1.40	F 57	DV 132S4	63	330	
185		285	7.73	5160	1.50	FF 57	DV 132S4	70	331	
217		240	6.58	5070	1.75					
239		220	5.98	5010	1.90					
276		190	5.18	4900	2.2					
7.5		4.6	14500	312	85500	0.85	FA 127 R87	DV 132M4	500	367
		4.9	13600	293	87300	0.90	FAF 127 R87	DV 132M4	540	367
	5.5	12000	259	90000	1.00	F 127 R87	DV 132M4	540	367	
	6.4	10400	223	90000	1.15	FF 127 R87	DV 132M4	580	367	
	7.2	9190	198	90000	1.30					
		3.3	21600	217.62*	87600	0.85				
		4.0	17700	178.20*	101100	1.00				
		4.4	16200	162.96	105200	1.10				
		5.1	14100	141.80*	110100	1.30				
		5.8	12400	125.14	113300	1.45				
		6.6	10800	108.49	116100	1.65	FA 157	DV 160L8	740	365
		7.5	9600	96.53*	117800	1.85	FAF 157	DV 160L8	800	364
		8.4	8530	85.80*	119200	2.1	F 157	DV 160L8	760	363
		9.2	7810	78.46	120000	2.3	FF 157	DV 160L8	870	364
		11	6790	68.28*	120000	2.7				
		12	5990	60.25	120000	3.0				
		14	5200	52.24	120000	3.5				
	15	4620	46.48*	120000	3.9					
	18	3980	40.06	120000	4.5					
		3.6	20000	267.43	94000	0.90				
4.4		16200	217.62*	105100	1.10					
5.4		13300	178.20*	111700	1.35					
5.9		12200	162.96	113800	1.50					
6.8		10600	141.80*	116400	1.70	FA 157	DV 160M6	710	365	
7.7		9340	125.14	118200	1.95	FAF 157	DV 160M6	770	364	
8.8		8090	108.49	119700	2.2	F 157	DV 160M6	730	363	
10		7200	96.53*	120000	2.5	FF 157	DV 160M6	840	364	
11		6400	85.80*	120000	2.8					
12		5850	78.46	120000	3.1					
14		5090	68.28*	120000	3.5					
16		4500	60.25	120000	4.0					
18	3900	52.24	119300	4.6						
	5.7	12500	125.37	89500	0.95	FA 127	DV 160L8	485	361	
	6.3	11400	114.34	90000	1.05	FAF 127	DV 160L8	520	360	
	7.3	9840	98.95	90000	1.20	F 127	DV 160L8	520	359	
	8.2	8690	87.31*	90000	1.40	FF 127	DV 160L8	570	360	
	5.6	12700	170.83	89000	0.95	FA 127	DV 160M6	450	361	
	6.2	11500	153.67*	90000	1.05	FAF 127	DV 160M6	490	360	
	7.7	9350	125.37	90000	1.30	F 127	DV 160M6	485	359	
	8.4	8530	114.34	90000	1.40	FF 127	DV 160M6	530	360	



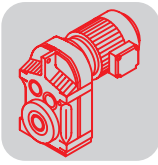
P _m [kW]	n _a [1/min]	M _a [Nm]	i	F _{Ra} ¹⁾ [N]	SEW f _B					m [kg]	
						FA	FAF	F	FF		
7.5	8.4	8560	170.83	90000	1.40	FA	127	DV	132M4	435	361
	9.3	7700	153.67*	90000	1.55	FAF	127	DV	132M4	475	360
	11	6280	125.37	90000	1.90	F	127	DV	132M4	475	359
						FF	127	DV	132M4	520	360
	8.0	8950	178.64	46300	0.85	FA	107	DV	132M4	290	357
	8.9	8080	161.28*	48700	0.95	FAF	107	DV	132M4	310	356
	9.8	7340	146.49	50700	1.05	F	107	DV	132M4	305	355
	11	6510	129.97	52800	1.20	FF	107	DV	132M4	335	356
	12	5910	117.94	54200	1.30						
	14	5080	101.38*	56100	1.50	FA	107	DV	132M4	290	357
	15	4630	92.47*	57100	1.65	FAF	107	DV	132M4	310	356
	16	4430	88.49	57500	1.75	F	107	DV	132M4	305	355
	17	4210	83.99	58000	1.85	FF	107	DV	132M4	335	356
	19	3730	74.52	59000	2.1						
	21	3390	67.62	59600	2.3						
	15	4890	97.58	19300	0.90						
	16	4500	89.85	29300	0.95	FA	97	DV	132M4	215	352
	17	4340	86.59	29800	1.00	FAF	97	DV	132M4	235	351
	18	4020	80.31	30700	1.05	F	97	DV	132M4	220	350
	19	3790	75.63	31300	1.15	FF	97	DV	132M4	255	351
	20	3620	72.29	31800	1.20						
	22	3280	65.47	32200	1.30						
	25	2910	58.06	31800	1.50	FA	97	DV	132M4	215	352
	27	2630	52.49	31400	1.65	FAF	97	DV	132M4	235	351
	32	2230	44.49	30600	1.95	F	97	DV	132M4	220	350
	37	1950	38.86	29900	2.2	FF	97	DV	132M4	255	351
	44	1630	32.50	28900	2.6						
	33	2170	43.28	30500	1.40	FA	97	DV	132M4	210	352
	39	1840	36.64	29600	1.65	FAF	97	DV	132M4	230	351
	42	1700	33.91	29200	2.5	F	97	DV	132M4	215	350
	47	1520	30.39	28500	2.8	FF	97	DV	132M4	250	351
	25	2840	56.75	18100	1.05						
	28	2520	50.36	18200	1.15	FA	87	DV	132M4	150	347
	32	2270	45.28	18200	1.25	FAF	87	DV	132M4	165	346
	36	1970	39.30	18100	1.40	F	87	DV	132M4	155	345
	41	1760	35.19	18000	1.50	FF	87	DV	132M4	170	346
	49	1460	29.20	17600	1.70						
	50	1440	28.78	17600	1.70						
	54	1330	26.50	17400	2.3	FA	87	DV	132M4	150	347
	60	1190	23.68	17100	2.5	FAF	87	DV	132M4	160	346
	67	1070	21.32*	16800	2.8	F	87	DV	132M4	155	345
	74	970	19.31	16500	3.1	FF	87	DV	132M4	170	346
	84	860	17.12	16200	3.5						
	92	775	15.48	15900	3.9						
	42	1690	33.74	14300	0.90	FA	77	DV	132M4	110	342
	48	1500	29.91	15700	1.00	FAF	77	DV	132M4	120	341
	56	1280	25.54	17000	1.15	F	77	DV	132M4	115	340
						FF	77	DV	132M4	125	341
	56	1280	25.50*	17100	1.15						
	67	1070	21.43	18000	1.40						
	73	990	19.70	18400	1.50						
	82	880	17.49	18800	1.70						
	91	785	15.64*	19000	1.90						
	102	705	14.06	18600	2.1						
	117	610	12.20	18000	2.5	FA	77	DV	132M4	110	342
	131	545	10.93	17600	2.7	FAF	77	DV	132M4	115	341
	154	465	9.30	16500	2.3	F	77	DV	132M4	115	340
	173	415	8.26	16100	2.6	FF	77	DV	132M4	125	341
	194	370	7.39	15700	2.9						
	215	335	6.64	15300	3.3						
	248	290	5.76	14800	3.7						
	277	260	5.16	14500	4.2						
	334	215	4.28	13800	4.7						


F..DR/DT/DV
F..D.. [kW]

P_m [kW]	n_a [1/min]	M_a [Nm]	i	$F_{Ra}^{1)}$ [N]	SEW f_B					m [kg]	
9.2	4.1	19900	353	94200	0.90						
	4.8	17200	302	102700	1.05	FA	157 R97	DV	132ML4	830	367
	5.3	15500	273	107000	1.15	FAF	157 R97	DV	132ML4	880	367
	6.2	13100	232	112100	1.35	F	157 R97	DV	132ML4	850	367
	7.1	11400	202	115100	1.60	FF	157 R97	DV	132ML4	950	367
	7.3	11100	197	115600	1.60						
	5.6	14700	259	85200	0.80	FA	127 R87	DV	132ML4	510	367
	6.5	12700	223	89100	0.95	FAF	127 R87	DV	132ML4	550	367
	7.3	11200	198	90000	1.05	F	127 R87	DV	132ML4	550	367
						FF	127 R87	DV	132ML4	590	367
	8.4	10400	170.83	90000	1.15	FA	127	DV	132ML4	445	361
	9.4	9380	153.67*	90000	1.30	FAF	127	DV	132ML4	485	360
	11	7650	125.37	90000	1.55	F	127	DV	132ML4	485	359
	13	6980	114.34	90000	1.70	FF	127	DV	132ML4	530	360
	15	6040	98.95	90000	2.0						
	9.8	8940	146.49	46300	0.85	FA	107	DV	132ML4	300	357
	11	7930	129.97	49100	0.95	FAF	107	DV	132ML4	320	356
	12	7200	117.94	51100	1.05	F	107	DV	132ML4	315	355
	14	6180	101.38*	53600	1.25	FF	107	DV	132ML4	345	356
	16	5640	92.47*	54900	1.35						
	17	5120	83.99	56000	1.50	FA	107	DV	132ML4	300	357
	19	4550	74.52	57300	1.70	FAF	107	DV	132ML4	320	356
	21	4130	67.62	58200	1.85	F	107	DV	132ML4	315	355
	25	3550	58.12*	58300	2.2	FF	107	DV	132ML4	345	356
	28	3100	50.73	56800	2.5						
	18	4900	80.31	18700	0.90	FA	97	DV	132ML4	225	352
	19	4610	75.63	28900	0.95	FAF	97	DV	132ML4	245	351
	20	4410	72.29	29600	0.95	F	97	DV	132ML4	230	350
	22	3990	65.47	29600	1.10	FF	97	DV	132ML4	265	351
	25	3540	58.06	29500	1.20						
	27	3200	52.49	29300	1.35	FA	97	DV	132ML4	225	352
	32	2710	44.49	28800	1.60	FAF	97	DV	132ML4	245	351
	37	2370	38.86	28400	1.80	F	97	DV	132ML4	230	350
	44	1980	32.50	27600	2.2	FF	97	DV	132ML4	265	351
	42	2070	33.91	27800	2.1	FA	97	DV	132ML4	220	352
	47	1850	30.39	27300	2.3	FAF	97	DV	132ML4	240	351
52	1670	27.44*	26800	2.6	F	97	DV	132ML4	225	350	
58	1520	24.92	26300	2.8	FF	97	DV	132ML4	260	351	
29	3070	50.36	16000	0.95	FA	87	DV	132ML4	160	347	
32	2760	45.28	16200	1.00	FAF	87	DV	132ML4	175	346	
37	2400	39.30	16400	1.15	F	87	DV	132ML4	165	345	
41	2150	35.19	16400	1.20	FF	87	DV	132ML4	180	346	
49	1780	29.20	16300	1.40							
54	1620	26.50	16200	1.85							
61	1440	23.68	16100	2.1	FA	87	DV	132ML4	155	347	
68	1300	21.32*	15900	2.3	FAF	87	DV	132ML4	170	346	
75	1180	19.31	15700	2.6	F	87	DV	132ML4	165	345	
84	1040	17.12	15400	2.9	FF	87	DV	132ML4	180	346	
93	940	15.48	15200	3.2							
110	800	13.12*	14700	3.8							
73	1200	19.70	17400	1.25							
82	1070	17.49	18000	1.40							
92	950	15.64*	18300	1.55							
102	860	14.06	18000	1.75							
118	745	12.20	17500	2.0	FA	77	DV	132ML4	120	342	
132	665	10.93	17100	2.3	FAF	77	DV	132ML4	125	341	
155	570	9.30	16000	1.90	F	77	DV	132ML4	125	340	
174	505	8.26	15600	2.1	FF	77	DV	132ML4	135	341	
195	450	7.39	15300	2.4							
217	405	6.64	15000	2.7							
250	350	5.76	14500	3.1							
279	315	5.16	14200	3.4							
336	260	4.28	13600	3.9							



P _m [kW]	n _a [1/min]	M _a [Nm]	i	F _{Ra} ¹⁾ [N]	SEW f _B					m [kg]	
						FA	FAF	F	FF		
11.0	4.8	20600	302	91800	0.90						
	5.3	18600	273	98600	0.95	FA	157 R97	DV	160M4	830	367
	6.2	15700	232	106400	1.15	FAF	157 R97	DV	160M4	890	367
	7.1	13700	202	110900	1.30	F	157 R97	DV	160M4	850	367
	7.3	13300	197	111700	1.35	FF	157 R97	DV	160M4	960	367
	6.5	15200	223	84100	0.80	FA	127 R87	DV	160M4	510	367
	7.3	13400	198	87700	0.90	FAF	127 R87	DV	160M4	550	367
	8.7	11300	166	90000	1.05	F	127 R87	DV	160M4	550	367
						FF	127 R87	DV	160M4	600	367
	5.1	20700	141.80*	91300	0.85	FA	157	DV	180L8	780	365
	5.8	18300	125.14	99500	1.00	FAF	157	DV	180L8	840	364
	6.6	15800	108.49	106100	1.15	F	157	DV	180L8	800	363
	7.5	14100	96.53*	110100	1.30	FF	157	DV	180L8	910	364
	5.4	19500	178.20*	95500	0.90						
	5.9	17800	162.96	100800	1.00						
	6.8	15500	141.80*	106900	1.15	FA	157	DV	160L6	740	365
	7.7	13700	125.14	110900	1.30	FAF	157	DV	160L6	800	364
	8.8	11900	108.49	114300	1.50	F	157	DV	160L6	760	363
	10	10600	96.53*	116400	1.70	FF	157	DV	160L6	870	364
	11	9390	85.80*	118100	1.90						
	12	8590	78.46	119100	2.1						
	5.4	19500	267.43	95500	0.90						
	6.6	15900	217.62*	106000	1.15						
	8.1	13000	178.20*	112300	1.40						
	8.8	11900	162.96	114300	1.50	FA	157	DV	160M4	710	365
	10	10300	141.80*	116800	1.75	FAF	157	DV	160M4	770	364
	12	9130	125.14	118400	1.95	F	157	DV	160M4	730	363
	13	7910	108.49	119900	2.3	FF	157	DV	160M4	840	364
	15	7040	96.53*	120000	2.6						
	17	6260	85.80*	118100	2.9						
	18	5720	78.46	115700	3.1						
	21	4980	68.28*	112000	3.6						
	7.7	13700	125.37	87100	0.85	FA	127	DV	160L6	485	361
	8.4	12500	114.34	89500	0.95	FAF	127	DV	160L6	520	360
	9.7	10800	98.95	90000	1.10	F	127	DV	160L6	520	359
	11	9550	87.31*	90000	1.25	FF	127	DV	160L6	570	360
	13	8250	75.41*	90000	1.45						
	8.4	12500	170.83	89500	0.95						
	9.4	11200	153.67*	90000	1.05	FA	127	DV	160M4	450	361
	11	9150	125.37	90000	1.30	FAF	127	DV	160M4	490	360
	13	8340	114.34	90000	1.45	F	127	DV	160M4	485	359
	15	7220	98.95	90000	1.65	FF	127	DV	160M4	530	360
	16	6370	87.31*	90000	1.90						
	19	5500	75.41*	88600	2.2						
	12	8600	117.94	47300	0.90	FA	107	DV	160M4	305	357
	14	7400	101.38*	50600	1.05	FAF	107	DV	160M4	325	356
	16	6750	92.47*	52200	1.15	F	107	DV	160M4	320	355
						FF	107	DV	160M4	345	356
17	6130	83.99	53700	1.25							
19	5440	74.52	55300	1.40	FA	107	DV	160M4	305	357	
21	4930	67.62	56500	1.55	FAF	107	DV	160M4	325	356	
25	4240	58.12*	56400	1.80	F	107	DV	160M4	320	355	
28	3700	50.73	55100	2.1	FF	107	DV	160M4	345	356	
33	3140	43.03	53500	2.5							
43	2470	33.79*	51000	3.0	FA	107	DV	160M4	295	357	
52	2010	27.57	48800	3.9	FAF	107	DV	160M4	315	356	
57	1830	25.14	47800	4.3	F	107	DV	160M4	310	355	
					FF	107	DV	160M4	335	356	
22	4780	65.47	24000	0.90	FA	97	DV	160M4	230	352	
25	4240	58.06	27100	1.00	FAF	97	DV	160M4	250	351	
27	3830	52.49	27100	1.10	F	97	DV	160M4	235	350	
					FF	97	DV	160M4	270	351	
32	3250	44.49	27000	1.30	FA	97	DV	160M4	230	352	
37	2830	38.86	26700	1.50	FAF	97	DV	160M4	250	351	
44	2370	32.50	26200	1.80	F	97	DV	160M4	235	350	
					FF	97	DV	160M4	270	351	


F..DR/DT/DV
F..D.. [kW]

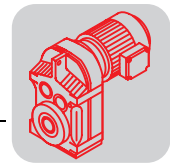
P_m [kW]	n_a [1/min]	M_a [Nm]	i	F_{Ra}¹⁾ [N]	SEW f_B					m [kg]		
11.0	42	2470	33.91	26400	1.75							
	47	2220	30.39	26000	1.95	FA	97	DV	160M4	225	352	
	52	2000	27.44*	25600	2.2	FAF	97	DV	160M4	245	351	
	58	1820	24.92	25200	2.4	F	97	DV	160M4	230	350	
	65	1610	22.11	24700	2.7	FF	97	DV	160M4	265	351	
	37	2870	39.30	14600	0.95	FA	87	DV	160M4	165	347	
	41	2570	35.19	14800	1.00	FAF	87	DV	160M4	175	346	
	49	2130	29.20	15000	1.20	F	87	DV	160M4	170	345	
						FF	87	DV	160M4	185	346	
	54	1930	26.50	15000	1.55							
	61	1730	23.68	15000	1.75	FA	87	DV	160M4	160	347	
	68	1560	21.32*	14900	1.95	FAF	87	DV	160M4	175	346	
	75	1410	19.31	14800	2.1	F	87	DV	160M4	165	345	
	84	1250	17.12	14600	2.4	FF	87	DV	160M4	180	346	
	93	1130	15.48	14400	2.7							
	110	960	13.12*	14100	3.1							
	73	1440	19.70	16100	1.05							
	82	1280	17.49	17100	1.20							
	92	1140	15.64*	17600	1.30							
	102	1030	14.06	17400	1.45							
	118	890	12.20	17000	1.70	FA	77	DV	160M4	125	342	
	132	795	10.93	16700	1.90	FAF	77	DV	160M4	130	341	
	155	680	9.30	15500	1.60	F	77	DV	160M4	130	340	
	174	605	8.26	15200	1.80	FF	77	DV	160M4	140	341	
	195	540	7.39	14900	2.0							
	217	485	6.64	14600	2.2							
	250	420	5.76	14200	2.6							
	279	375	5.16	13900	2.9							
	336	310	4.28	13300	3.2							
	15.0	6.3	21200	232	89400	0.85	FA	157 R97	DV	160L4	870	367
		7.2	18500	202	98800	0.95	FAF	157 R97	DV	160L4	930	367
		7.4	18000	197	100400	1.00	F	157 R97	DV	160L4	890	367
							FF	157 R97	DV	160L4	1000	367
6.8		20900	141.80*	90400	0.85	FA	157	DV	180L6	780	365	
7.8		18500	125.14	98800	0.95	FAF	157	DV	180L6	840	364	
8.9		16000	108.49	105700	1.10	F	157	DV	180L6	800	363	
10		14300	96.53*	109800	1.25	FF	157	DV	180L6	910	364	
11		12700	85.80*	112900	1.40							
6.7		21400	217.62*	88800	0.85							
8.2		17500	178.20*	101800	1.05							
9.0		16000	162.96	105700	1.15							
10		13900	141.80*	110500	1.30	FA	157	DV	160L4	740	365	
12		12300	125.14	113600	1.45	FAF	157	DV	160L4	800	364	
13		10600	108.49	116300	1.70	F	157	DV	160L4	760	363	
15		9470	96.53*	115800	1.90	FF	157	DV	160L4	870	364	
17		8420	85.80*	113200	2.1							
19		7700	78.46	111200	2.3							
21		6700	68.28*	108000	2.7							
24		5910	60.25	105100	3.1							
9.8		14600	98.95	85300	0.80	FA	127	DV	180L6	520	361	
11		12900	87.31*	88700	0.95	FAF	127	DV	180L6	560	360	
13		11100	75.41*	88300	1.10	F	127	DV	180L6	560	359	
14		10300	70.07	87600	1.15	FF	127	DV	180L6	600	360	
15		9440	63.91	86700	1.25							
12		12300	125.37	89000	1.00							
13		11200	114.34	88300	1.05	FA	127	DV	160L4	485	361	
15		9710	98.95	87000	1.25	FAF	127	DV	160L4	520	360	
17		8570	87.31*	85600	1.40	F	127	DV	160L4	520	359	
19		7400	75.41*	83800	1.60	FF	127	DV	160L4	570	360	
21		6870	70.07	82800	1.75							



P _m [kW]	n _a [1/min]	M _a [Nm]	i	F _{Ra} ¹⁾ [N]	SEW f _B					m [kg]		
						FA	FAF	F	FF			DV
15.0	16	9070	92.47*	45900	0.85							
	17	8680	88.49	47100	0.90	FA	107	DV	160L4	345	357	
	17	8240	83.99	48300	0.95	FAF	107	DV	160L4	365	356	
	20	7310	74.52	50800	1.05	F	107	DV	160L4	360	355	
	22	6630	67.62	52500	1.15	FF	107	DV	160L4	390	356	
	25	5700	58.12*	52200	1.35							
	29	4980	50.73	51500	1.55	FA	107	DV	160L4	345	357	
	34	4220	43.03	50400	1.80	FAF	107	DV	160L4	365	356	
	39	3690	37.61	49300	2.1	F	107	DV	160L4	360	355	
	46	3120	31.80	48000	2.5	FF	107	DV	160L4	390	356	
	43	3320	33.79*	48500	2.2	FA	107	DV	160L4	335	357	
	53	2700	27.57	46700	2.9	FAF	107	DV	160L4	355	356	
	58	2470	25.14	45900	3.2	F	107	DV	160L4	350	355	
	67	2130	21.76*	44500	3.7	FF	107	DV	160L4	380	356	
	33	4360	44.49	22900	1.00	FA	97	DV	160L4	270	352	
	38	3810	38.86	23100	1.15	FAF	97	DV	160L4	290	351	
	45	3190	32.50	23200	1.35	F	97	DV	160L4	275	350	
						FF	97	DV	160L4	310	351	
	43	3330	33.91	23200	1.30							
	48	2980	30.39	23200	1.45							
	53	2690	27.44*	23100	1.60							
	59	2450	24.92	22900	1.75	FA	97	DV	160L4	265	352	
	66	2170	22.11	22600	2.0	FAF	97	DV	160L4	285	351	
	73	1970	20.07	22400	2.2	F	97	DV	160L4	270	350	
	85	1690	17.25*	21900	2.5	FF	97	DV	160L4	305	351	
	97	1480	15.06	21400	2.9							
	114	1250	12.77	20800	3.4							
	131	1100	11.16	20200	3.7							
	55	2600	26.50	12300	1.15							
	62	2320	23.68	12600	1.30							
	68	2090	21.32*	12700	1.45							
	76	1890	19.31	12800	1.60							
	85	1680	17.12	12900	1.80							
	94	1520	15.48	12800	2.0							
	111	1290	13.12*	12700	2.3	FA	87	DV	160L4	200	347	
	127	1120	11.46	12600	2.7	FAF	87	DV	160L4	215	346	
	152	940	9.58	12300	3.1	F	87	DV	160L4	205	345	
	176	810	8.29	11700	1.90	FF	87	DV	160L4	220	346	
	199	720	7.35	11500	2.1							
	220	650	6.65	11300	2.4							
259	555	5.63	11000	2.8								
297	485	4.92	10700	3.2								
355	405	4.12	10300	3.6								
18.5	7.2	22800	202	70200	0.80	FA	157 R97	DV	180M4	890	367	
	7.5	22100	197	83800	0.80	FAF	157 R97	DV	180M4	950	367	
						F	157 R97	DV	180M4	910	367	
						FF	157 R97	DV	180M4	1020	367	
	8.2	21500	178.20*	88200	0.85							
	9.0	19700	162.96	95000	0.90							
	10	17100	141.80*	102800	1.05							
	12	15100	125.14	107900	1.20	FA	157	DV	180M4	770	365	
	14	13100	108.49	112100	1.40	FAF	157	DV	180M4	820	364	
	15	11600	96.53*	111300	1.55	F	157	DV	180M4	790	363	
	17	10300	85.80*	109300	1.75	FF	157	DV	180M4	890	364	
	19	9460	78.46	107600	1.90							
	21	8230	68.28*	104900	2.2							
	24	7270	60.25	102300	2.5							
	28	6300	52.24	99300	2.9							
	13	13800	114.34	82200	0.85							
	15	11900	98.95	81700	1.00							
	17	10500	87.31*	80900	1.15	FA	127	DV	180M4	510	361	
	19	9090	75.41*	79700	1.30	FAF	127	DV	180M4	550	360	
	21	8450	70.07	79000	1.40	F	127	DV	180M4	550	359	
	23	7710	63.91	78100	1.55	FF	127	DV	180M4	590	360	
	26	6670	55.31	76400	1.80							
	30	5880	48.80	74900	2.0							

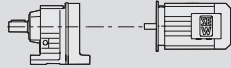


F..DR/DT/DV
F..D.. [kW]

P_m [kW]	n_a [1/min]	M_a [Nm]	i	$F_{Ra}^{1)}$ [N]	SEW f_B					m [kg]		
18.5	20	8990	74.52	46200	0.85	FA	107	DV	180M4	365	357	
	22	8150	67.62	48500	0.95	FAF	107	DV	180M4	385	356	
	25	7010	58.12*	48700	1.10	F	107	DV	180M4	380	355	
	29	6120	50.73	48400	1.25	FF	107	DV	180M4	410	356	
	34	5190	43.03	47700	1.50	FA	107	DV	180M4	365	357	
	39	4540	37.61	47000	1.70	FAF	107	DV	180M4	385	356	
	46	3830	31.80	46000	2.0	F	107	DV	180M4	380	355	
							FF	107	DV	180M4	410	356
	43	4070	33.79*	46400	1.80	FA	107	DV	180M4	355	357	
	53	3320	27.57	45000	2.4	FAF	107	DV	180M4	375	356	
	58	3030	25.14	44300	2.6	F	107	DV	180M4	370	355	
	67	2620	21.76*	43200	3.0	FF	107	DV	180M4	400	356	
	38	4690	38.86	20000	0.90	FA	97	DV	180M4	290	352	
	45	3920	32.50	20600	1.10	FAF	97	DV	180M4	315	351	
							F	97	DV	180M4	300	350
							FF	97	DV	180M4	330	351
	53	3310	27.44*	20900	1.30							
	59	3010	24.92	20900	1.45							
	66	2670	22.11	20900	1.60	FA	97	DV	180M4	285	352	
	73	2420	20.07	20800	1.80	FAF	97	DV	180M4	305	351	
	85	2080	17.25*	20500	2.1	F	97	DV	180M4	295	350	
	97	1820	15.06	20200	2.4	FF	97	DV	180M4	325	351	
	115	1540	12.77	19800	2.8							
	131	1350	11.16	19300	3.1							
	69	2570	21.32*	10900	1.15							
	76	2330	19.31	11100	1.30							
	86	2060	17.12	11400	1.45							
	95	1870	15.48	11500	1.60							
	112	1580	13.12*	11600	1.90	FA	87	DV	180M4	225	347	
	128	1380	11.46	11600	2.2	FAF	87	DV	180M4	235	346	
	153	1160	9.58	11500	2.5	F	87	DV	180M4	230	345	
	177	1000	8.29	10900	1.55	FF	87	DV	180M4	245	346	
	199	890	7.35	10800	1.75							
	220	800	6.65	10700	1.90							
	260	680	5.63	10400	2.3							
298	595	4.92	10200	2.6								
356	495	4.12	9900	2.9								
22	10	20900	96.53*	90500	0.85	FA	157	DV	200L6	860	365	
	11	18600	85.80*	98500	0.95	FAF	157	DV	200L6	920	364	
	12	17000	78.46	103100	1.05	F	157	DV	200L6	880	363	
	14	14800	68.28*	107700	1.20	FF	157	DV	200L6	990	364	
	10	20300	141.80*	92600	0.90							
	12	17900	125.14	100400	1.00							
	14	15600	108.49	106800	1.15							
	15	13800	96.53*	106900	1.30							
	17	12300	85.80*	105400	1.45	FA	157	DV	180L4	780	365	
	19	11300	78.46	104000	1.60	FAF	157	DV	180L4	840	364	
	21	9790	68.28*	101700	1.85	F	157	DV	180L4	800	363	
	24	8640	60.25	99600	2.1	FF	157	DV	180L4	910	364	
	28	7490	52.24	97000	2.4							
	32	6660	46.48*	94800	2.7							
	37	5740	40.06	91900	3.1							
	45	4670	32.55	87800	3.9							
	15	14200	98.95	76400	0.85							
	17	12500	87.31*	76300	0.95							
	19	10800	75.41*	75700	1.10	FA	127	DV	180L4	520	361	
	21	10000	70.07	75300	1.20	FAF	127	DV	180L4	560	360	
	23	9160	63.91	74700	1.30	F	127	DV	180L4	560	359	
	26	7930	55.31	73500	1.50	FF	127	DV	180L4	600	360	
	30	7000	48.80	72300	1.70							
	35	6040	42.15	70700	2.0							
	25	8330	58.12*	45200	0.90	FA	107	DV	180L4	380	357	
	29	7280	50.73	45300	1.05	FAF	107	DV	180L4	400	356	
	34	6170	43.03	45100	1.25	F	107	DV	180L4	395	355	
						FF	107	DV	180L4	425	356	
	39	5390	37.61	44800	1.40	FA	107	DV	180L4	380	357	
	46	4560	31.80	44100	1.70	FAF	107	DV	180L4	400	356	
						F	107	DV	180L4	395	355	
						FF	107	DV	180L4	425	356	

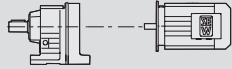



P _m [kW]	n _a [1/min]	M _a [Nm]	i	F _{Ra} ¹⁾ [N]	SEW f _B					m [kg]		
						FA	FAF	F	FF			DV
22	43	4850	33.79*	44300	1.55							
	53	3950	27.57	43300	2.0	FA	107	DV	180L4	370	357	
	58	3610	25.14	42800	2.2	FAF	107	DV	180L4	390	356	
	67	3120	21.76*	41900	2.5	F	107	DV	180L4	385	355	
	76	2750	19.20*	41000	2.9	FF	107	DV	180L4	415	356	
	53	3940	27.44*	18700	1.10							
	59	3570	24.92	18900	1.20							
	66	3170	22.11	19100	1.35	FA	97	DV	180L4	300	352	
	73	2880	20.07	19200	1.50	FAF	97	DV	180L4	320	351	
	85	2470	17.25*	19100	1.75	F	97	DV	180L4	305	350	
	97	2160	15.06	19000	2.0	FF	97	DV	180L4	340	351	
	115	1830	12.77	18700	2.4							
	131	1600	11.16	18400	2.6							
	69	3060	21.32*	8990	1.00							
	76	2770	19.31	9430	1.10							
	86	2460	17.12	9850	1.20							
	95	2220	15.48	10100	1.35							
	112	1880	13.12*	10400	1.60	FA	87	DV	180L4	235	347	
	128	1640	11.46	10600	1.85	FAF	87	DV	180L4	250	346	
	153	1370	9.58	10600	2.1	F	87	DV	180L4	240	345	
177	1190	8.29	10100	1.30	FF	87	DV	180L4	260	346		
199	1050	7.35	10100	1.45								
220	950	6.65	10000	1.60								
260	810	5.63	9900	1.90								
298	705	4.92	9750	2.2								
356	590	4.12	9500	2.5								
30	14	21100	108.49	89600	0.85							
	15	18800	96.53*	96900	0.95							
	17	16700	85.80*	96400	1.10	FA	157	DV	200L4	860	365	
	19	15300	78.46	95800	1.20	FAF	157	DV	200L4	920	364	
	22	13300	68.28*	94600	1.35	F	157	DV	200L4	880	363	
	24	11700	60.25	93300	1.55	FF	157	DV	200L4	990	364	
	28	10200	52.24	91500	1.75							
	32	9060	46.48*	89900	2.0							
	37	7810	40.06	87700	2.3							
	19	14700	75.41*	66600	0.80							
	21	13700	70.07	66800	0.90							
	23	12500	63.91	66900	0.95	FA	127	DV	200L4	610	361	
	27	10800	55.31	66700	1.10	FAF	127	DV	200L4	650	360	
	30	9510	48.80	66300	1.25	F	127	DV	200L4	650	359	
	35	8210	42.15	65500	1.45	FF	127	DV	200L4	690	360	
	39	7270	37.28	64700	1.65							
	47	6110	31.33	63200	1.95							
	58	4930	25.30	61200	2.4							
	55	5240	26.86	61800	1.60	FA	127	DV	200L4	600	361	
	60	4790	24.57	60900	1.80	FAF	127	DV	200L4	630	360	
69	4170	21.38	59400	2.9	F	127	DV	200L4	630	359		
78	3680	18.87	58000	3.0	FF	127	DV	200L4	680	360		
34	8390	43.03	39200	0.90	FA	107	DV	200L4	465	357		
39	7330	37.61	39600	1.05	FAF	107	DV	200L4	485	356		
46	6200	31.80	39700	1.25	F	107	DV	200L4	480	355		
					FF	107	DV	200L4	510	356		
53	5370	27.57	39500	1.45								
58	4900	25.14	39300	1.60								
68	4240	21.76*	38800	1.85	FA	107	DV	200L4	455	357		
77	3740	19.20*	38300	2.1	FAF	107	DV	200L4	475	356		
89	3230	16.58	37600	2.4	F	107	DV	200L4	470	355		
100	2860	14.67	36900	2.7	FF	107	DV	200L4	495	356		
119	2400	12.33	35900	2.9								
148	1940	9.96	34500	3.4								


F..DR/DT/DV
F..D.. [kW]

P_m [kW]	n_a [1/min]	M_a [Nm]	i	$F_{Ra}^{1)}$ [N]	SEW f_B		m [kg]		
30	66	4310	22.11	15100	1.00				
	73	3910	20.07	15500	1.10				
	85	3360	17.25*	16000	1.30				
	98	2930	15.06	16300	1.45				
	115	2490	12.77	16400	1.75	FA 97	DV 200L4	380	352
	132	2180	11.16	16400	1.90	FAF 97	DV 200L4	405	351
	162	1770	9.06	15400	1.35	F 97	DV 200L4	390	350
	179	1600	8.22	15300	1.45	FF 97	DV 200L4	420	351
	208	1380	7.07	15100	1.70				
	238	1200	6.17	14900	1.85				
	281	1020	5.23	14600	2.1				
	321	890	4.57	14300	2.3				
37	17	20600	85.80*	88600	0.85				
	19	18900	78.46	88700	0.95				
	22	16400	68.28*	88400	1.10				
	24	14500	60.25	87800	1.25				
	28	12600	52.24	86800	1.45	FA 157	DV 225S4	910	365
	32	11200	46.48*	85700	1.60	FAF 157	DV 225S4	970	364
	37	9630	40.06	84000	1.85	F 157	DV 225S4	930	363
	45	7820	32.55	81400	2.3	FF 157	DV 225S4	1040	364
	53	6630	27.60	79100	2.7				
	27	13300	55.31	60900	0.90				
	30	11700	48.80	61100	1.00	FA 127	DV 225S4	660	361
	35	10100	42.15	61100	1.20	FAF 127	DV 225S4	690	360
	39	8960	37.28	60700	1.35	F 127	DV 225S4	690	359
	47	7530	31.33	59900	1.60	FF 127	DV 225S4	740	360
	58	6080	25.30	58500	1.95				
	55	6460	26.86	58900	1.30				
	60	5910	24.57	58300	1.45				
	69	5140	21.38	57100	2.3				
	78	4530	18.87	56000	2.4	FA 127	DV 225S4	650	361
	90	3930	16.36	54600	2.8	FAF 127	DV 225S4	680	360
	101	3500	14.55	53400	3.1	F 127	DV 225S4	680	359
	117	3010	12.54	51900	3.3	FF 127	DV 225S4	730	360
	144	2450	10.19	49600	3.9				
	166	2130	8.86	47700	3.3				
	186	1890	7.88	46500	3.2				
	53	6630	27.57	36200	1.20				
	58	6040	25.14	36200	1.30				
	68	5230	21.76*	36200	1.50				
	77	4610	19.20*	36000	1.70				
	89	3990	16.58	35600	1.95	FA 107	DV 225S4	500	357
	100	3530	14.67	35100	2.2	FAF 107	DV 225S4	520	356
	119	2960	12.33	34400	2.4	F 107	DV 225S4	520	355
	148	2390	9.96	33300	2.7	FF 107	DV 225S4	550	356
	152	2330	9.69	32400	2.1				
	176	2010	8.37	31700	2.4				
	199	1780	7.40	31000	2.6				
236	1500	6.22	30000	3.1					
45	22	20000	68.28*	81300	0.90				
	24	17600	60.25	81600	1.00				
	28	15300	52.24	81300	1.20	FA 157	DV 225M4	940	365
	32	13600	46.48*	80900	1.30	FAF 157	DV 225M4	1000	364
	37	11700	40.06	79900	1.55	F 157	DV 225M4	960	363
	45	9510	32.55	78000	1.90	FF 157	DV 225M4	1070	364
	53	8070	27.60	76200	2.2				
	30	14300	48.80	55200	0.85				
	35	12300	42.15	56000	0.95	FA 127	DV 225M4	690	361
	39	10900	37.28	56200	1.10	FAF 127	DV 225M4	720	360
	47	9160	31.33	56100	1.30	F 127	DV 225M4	720	359
	58	7400	25.30	55400	1.60	FF 127	DV 225M4	770	360



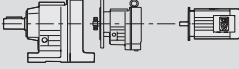

P_m [kW]	n_a [1/min]	M_a [Nm]	i	$F_{Ra}^{1)}$ [N]	SEW f_B		m [kg]		
45	55	7850	26.86	55700	1.10				
	60	7180	24.57	55300	1.20				
	69	6250	21.38	54500	1.90				
	78	5520	18.87	53700	2.0				
	90	4780	16.36	52600	2.3	FA 127	DV 225M4	670	361
	101	4250	14.55	51600	2.6	FAF 127	DV 225M4	710	360
	117	3670	12.54	50300	2.7	F 127	DV 225M4	710	359
	144	2980	10.19	48400	3.2	FF 127	DV 225M4	760	360
	166	2590	8.86	46600	2.7				
	186	2300	7.88	45500	2.6				
	216	1990	6.80	44000	3.5				
	266	1610	5.52	42000	3.7				
	53	8060	27.57	32400	0.95				
	58	7350	25.14	32800	1.05				
	68	6360	21.76*	33200	1.25				
	77	5610	19.20*	33300	1.40				
	89	4850	16.58	33300	1.60	FA 107	DV 225M4	530	357
	100	4290	14.67	33100	1.80	FAF 107	DV 225M4	550	356
	119	3600	12.33	32700	1.95	F 107	DV 225M4	550	355
	148	2910	9.96	31900	2.2	FF 107	DV 225M4	570	356
152	2830	9.69	31000	1.75					
176	2450	8.37	30400	1.95					
199	2160	7.40	29900	2.1					
236	1820	6.22	29100	2.5					
55	24	21500	60.25	73800	0.85				
	28	18600	52.24	74600	0.95	FA 157	DV 250M4	1070	365
	32	16500	46.48*	74800	1.10	FAF 157	DV 250M4	1130	364
	37	14300	40.06	74700	1.25	F 157	DV 250M4	1090	363
	45	11600	32.55	73800	1.55	FF 157	DV 250M4	1200	364
	53	9830	27.60	72600	1.85				
	52	10200	28.60*	72900	1.65	FA 157	DV 250M4	1060	365
	58	9060	25.43	71900	1.65	FAF 157	DV 250M4	1120	364
	67	7890	22.16	70600	2.3	F 157	DV 250M4	1080	363
	75	7040	19.77	69400	2.4	FF 157	DV 250M4	1190	364
	88	6000	16.85	67600	3.0				
	40	13300	37.28	50600	0.90	FA 127	DV 250M4	810	361
	47	11200	31.33	51400	1.10	FAF 127	DV 250M4	850	360
	58	9010	25.30	51600	1.35	F 127	DV 250M4	840	359
						FF 127	DV 250M4	890	360
	69	7610	21.38	51300	1.60				
	78	6720	18.87	50800	1.65				
	90	5820	16.36	50100	1.90				
	101	5180	14.55	49400	2.1	FA 127	DV 250M4	800	361
	118	4470	12.54	48400	2.2	FAF 127	DV 250M4	830	360
145	3630	10.19	46800	2.6	F 127	DV 250M4	830	359	
166	3160	8.86	45100	2.2	FF 127	DV 250M4	880	360	
187	2810	7.88	44200	2.1					
217	2420	6.80	42900	2.9					
267	1970	5.52	41100	3.1					
315	1670	4.68	39600	3.6					
75	32	22500	46.48*	62900	0.80	FA 157	DV 280S4	1200	365
	37	19400	40.06	64400	0.95	FAF 157	DV 280S4	1260	364
	45	15800	32.55	65400	1.15	F 157	DV 280S4	1220	363
	54	13400	27.60	65500	1.35	FF 157	DV 280S4	1330	364
	52	13800	28.60*	65500	1.25				
	58	12300	25.43	65400	1.20	FA 157	DV 280S4	1190	365
	67	10700	22.16	64900	1.70	FAF 157	DV 280S4	1250	364
	75	9570	19.77	64300	1.80	F 157	DV 280S4	1220	363
	88	8150	16.85	63200	2.2	FF 157	DV 280S4	1320	364
	106	6760	13.96	61600	2.5				
	124	5770	11.92	60100	2.8				
	58	12200	25.30	44000	1.00	FA 127	DV 280S4	950	361
						FAF 127	DV 280S4	980	360
						F 127	DV 280S4	980	359
						FF 127	DV 280S4	1030	360

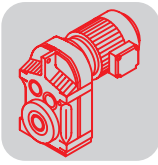

F..DR/DT/DV
F..D.. [kW]

P_m [kW]	n_a [1/min]	M_a [Nm]	i	$F_{Ra}^{1)}$ [N]	SEW f_B					m [kg]	
75	69	10300	21.38	44800	1.15						
	78	9130	18.87	45100	1.20						
	90	7920	16.36	45200	1.40						
	102	7040	14.55	45000	1.55						
	118	6070	12.54	44600	1.65	FA	127	DV	280S4	940	361
	145	4930	10.19	43700	1.95	FAF	127	DV	280S4	970	360
	167	4290	8.86	42200	1.65	F	127	DV	280S4	970	359
	188	3810	7.88	41600	1.55	FF	127	DV	280S4	1020	360
	218	3290	6.80	40700	2.1						
	268	2670	5.52	39300	2.3						
316	2270	4.68	38100	2.7							
90	45	18900	32.55	59100	0.95	FA	157	D	280M4	1280	365
	54	16000	27.60	60200	1.10	FAF	157	D	280M4	1330	364
						F	157	D	280M4	1300	363
						FF	157	D	280M4	1400	364
	52	16600	28.60*	60000	1.00						
	58	14800	25.43	60400	1.00						
	67	12900	22.16	60600	1.40	FA	157	D	280M4	1270	365
	75	11500	19.77	60500	1.50	FAF	157	D	280M4	1330	364
	88	9790	16.85	59900	1.85	F	157	D	280M4	1290	363
	106	8110	13.96	58900	2.1	FF	157	D	280M4	1400	364
	124	6920	11.92	57800	2.3						
	58	14700	25.30	33100	0.80	FA	127	D	280M4	1020	361
						FAF	127	D	280M4	1060	360
						F	127	D	280M4	1060	359
						FF	127	D	280M4	1100	360
	69	12400	21.38	38800	0.95						
	78	11000	18.87	40900	1.00						
	90	9500	16.36	41500	1.15						
	102	8450	14.55	41700	1.30						
	118	7280	12.54	41800	1.35	FA	127	D	280M4	1010	361
145	5920	10.19	41400	1.60	FAF	127	D	280M4	1050	360	
167	5150	8.86	40100	1.35	F	127	D	280M4	1050	359	
188	4580	7.88	39700	1.30	FF	127	D	280M4	1090	360	
218	3950	6.80	39000	1.75							
268	3210	5.52	37900	1.85							
316	2720	4.68	36900	2.2							
110	54	19500	27.60	53100	0.90	FA	157	D	315S4	1460	365
						FAF	157	D	315S4	1520	364
						F	157	D	315S4	1480	363
						FF	157	D	315S4	1590	364
	67	15700	22.16	54900	1.15	FA	157	D	315S4	1460	365
	75	14000	19.77	55400	1.20	FAF	157	D	315S4	1520	364
	88	11900	16.85	55600	1.50	F	157	D	315S4	1480	363
	106	9880	13.96	55300	1.70	FF	157	D	315S4	1580	364
	125	8430	11.92	54700	1.90						
	132	67	18800	22.16	48700	0.95	FA	157	D	315M4	1560
	75	16800	19.77	49800	1.00	FAF	157	D	315M4	1620	364
	88	14300	16.85	50900	1.25	F	157	D	315M4	1580	363
	106	11900	13.96	51400	1.45	FF	157	D	315M4	1680	364
	125	10100	11.92	51400	1.60						
160	88	17300	16.85	44800	1.05	FA	157	D	315M4A	1560	365
	106	14400	13.96	46400	1.20	FAF	157	D	315M4A	1620	364
	125	12300	11.92	47100	1.30	F	157	D	315M4A	1580	363
						FF	157	D	315M4A	1680	364
200	88	21700	16.85	36100	0.85	FA	157	D	315M4B	1560	365
	106	18000	13.96	39200	0.95	FAF	157	D	315M4B	1620	364
	125	15300	11.92	41000	1.05	F	157	D	315M4B	1580	363
						FF	157	D	315M4B	1680	364



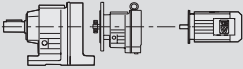

9.4 F..R..D.. [Nm]

$M_{a \max}$ [Nm]	n_a [1/min]	i	$F_{Ra}^{1)}$ [N]		m [kg]				
130	0.15	8972	4500						
	0.18	7736	4500						
	0.19	7211	4500						
	0.22	6303	4500						
	0.25	5435	4500	FA	27 R17	DR	63S4	13	367
	0.28	4855	4500	FAF	27 R17	DR	63S4	14	367
	0.33	4243	4500	F	27 R17	DR	63S4	14	367
	0.37	3715	4500	FF	27 R17	DR	63S4	14	367
	0.43	3247	4500						
	0.48	2878	4500						
	0.55	2515	4500						
	0.62	2217	4500						
	0.73	1898	4500						
	0.84	1645	4500						
	0.90	1525	4500						
	1.0	1322	4500	FA	27 R17	DR	63S4	13	367
	1.2	1146	4500	FAF	27 R17	DR	63S4	14	367
	1.4	1013	4500	F	27 R17	DR	63S4	13	367
	1.6	890	4500	FF	27 R17	DR	63S4	14	367
	1.8	778	4500						
	2.0	682	4500						
	2.3	602	4500						
	2.6	520	4500						
	3.0	458	4500	FA	27 R17	DR	63S4	13	367
	3.5	397	4500	FAF	27 R17	DR	63S4	13	367
	4.0	342	4500	F	27 R17	DR	63S4	13	367
	4.6	302	4500	FF	27 R17	DR	63S4	14	367
	5.2	266	4500						
	5.9	236	4500						
	6.5	211	4500						
	7.1	186	4500	FA	27 R17	DR	63M4	13	367
	9.3	142	4500	FAF	27 R17	DR	63M4	13	367
	11	124	4500	F	27 R17	DR	63M4	13	367
				FF	27 R17	DR	63M4	14	367
	12	109	4500	FA	27 R17	DR	63L4	13	367
	14	96	4500	FAF	27 R17	DR	63L4	14	367
				F	27 R17	DR	63L4	14	367
				FF	27 R17	DR	63L4	15	367
	200	0.17	8193	4290					
		0.20	7064	4290					
0.21		6585	4290						
0.24		5756	4290						
0.28		4963	4290	FA	37 R17	DR	63S4	19	367
0.31		4434	4290	FAF	37 R17	DR	63S4	21	367
0.36		3875	4290	F	37 R17	DR	63S4	20	367
0.41		3392	4290	FF	37 R17	DR	63S4	22	367
0.47		2965	4290						
0.53		2587	4290						
0.60		2284	4290						
0.69		1997	4290						
0.72		1929	4290						
0.82		1679	4290						
0.89		1550	4290						
1.0		1356	4290						
1.2		1180	4290						
1.3		1044	4290	FA	37 R17	DR	63S4	19	367
1.5		914	4290	FAF	37 R17	DR	63S4	21	367
1.7		808	4290	F	37 R17	DR	63S4	20	367
2.0		698	4290	FF	37 R17	DR	63S4	21	367
2.2		616	4290						
2.5		544	4290						
3.0		466	4290						
3.4		411	4290						
3.8		364	4290						
4.2		326	4290	FA	37 R17	DR	63S4	19	367
				FAF	37 R17	DR	63S4	20	367
				F	37 R17	DR	63S4	19	367
				FF	37 R17	DR	63S4	21	367


F..DR/DT/DV
F..R..D.. [Nm]

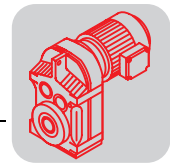
$M_{a \max}$ [Nm]	n_a [1/min]	i	$F_{Ra}^{1)}$ [N]					m [kg]		
200	4.6	285	4290	FA	37 R17	DR	63M4	19	367	
	5.3	250	4290	FAF	37 R17	DR	63M4	20	367	
	6.0	219	4290	F	37 R17	DR	63M4	19	367	
	7.1	186	4290	FF	37 R17	DR	63M4	21	367	
	7.8	167	4290	FA	37 R17	DR	63L4	20	367	
	8.9	145	4290	FAF	37 R17	DR	63L4	21	367	
	10	129	4290	F	37 R17	DR	63L4	20	367	
				FF	37 R17	DR	63L4	22	367	
	400	0.11	12251	5920						
		0.13	10619	5920						
0.14		9846	5920							
0.16		8534	5920							
0.19		7460	5920							
0.21		6536	5920	FA	47 R17	DR	63S4	24	367	
0.24		5746	5920	FAF	47 R17	DR	63S4	27	367	
0.27		5022	5920	F	47 R17	DR	63S4	25	367	
0.31		4401	5920	FF	47 R17	DR	63S4	28	367	
0.36		3883	5920							
0.40		3443	5920							
0.46		2976	5920							
0.52		2629	5920							
0.55		2519	5920							
0.58		2394	5920							
0.64		2172	5920							
0.68		2025	5920							
0.78		1770	5920	FA	47 R17	DR	63S4	23	367	
0.88		1576	5920	FAF	47 R17	DR	63S4	26	367	
1.0		1363	5920	F	47 R17	DR	63S4	24	367	
1.2		1192	5920	FF	47 R17	DR	63S4	27	367	
1.3		1061	5920							
1.5		931	5920							
1.7		822	5920							
2.0		706	5920							
2.1		619	5920	FA	47 R17	DR	63M4	23	367	
				FAF	47 R17	DR	63M4	26	367	
				F	47 R17	DR	63M4	24	367	
				FF	47 R17	DR	63M4	27	367	
2.5		524	5920	FA	47 R17	DR	63M4	23	367	
2.7		489	5920	FAF	47 R17	DR	63M4	26	367	
3.1		427	5920	F	47 R17	DR	63M4	24	367	
3.5		381	5920	FF	47 R17	DR	63M4	27	367	
3.9		334	5920	FA	47 R17	DR	63L4	24	367	
4.4		295	5920	FAF	47 R17	DR	63L4	27	367	
5.1		253	5920	F	47 R17	DR	63L4	25	367	
				FF	47 R17	DR	63L4	28	367	
6.4		217	5920	FA	47 R17	DT	71D4	25	367	
7.3		190	5920	FAF	47 R17	DT	71D4	27	367	
7.8		178	5920	F	47 R17	DT	71D4	26	367	
			FF	47 R17	DT	71D4	29	367		
9.1	149	5920	FA	47 R17	DT	80K4	27	367		
10	131	5920	FAF	47 R17	DT	80K4	29	367		
			F	47 R17	DT	80K4	27	367		
			FF	47 R17	DT	80K4	30	367		



$M_{a \max}$ [Nm]	n_a [1/min]	i	$F_{Ra}^{1)}$ [N]		m [kg]		
600	0.09	14832	9200				
	0.10	13604	9200				
	0.11	12602	9200				
	0.12	11252	9200				
	0.14	9986	9200				
	0.16	8787	9200		FA 57 R37	DR 63S4	39 367
	0.17	7908	9200		FAF 57 R37	DR 63S4	45 367
	0.20	6913	9200		F 57 R37	DR 63S4	40 367
	0.23	6030	9200		FF 57 R37	DR 63S4	46 367
	0.26	5289	9200				
	0.30	4654	9200				
	0.34	4060	9200				
	0.39	3564	9200				
	0.44	3161	9200				
	0.48	2854	9200				
	0.54	2576	9200				
	0.61	2266	9200				
	0.69	2012	9200		FA 57 R37	DR 63S4	39 367
	0.77	1791	9200		FAF 57 R37	DR 63S4	44 367
	0.85	1617	9200		F 57 R37	DR 63S4	39 367
	0.97	1422	9200		FF 57 R37	DR 63S4	45 367
	1.1	1243	9200				
	1.3	1066	9200				
	1.4	949	9200				
	1.5	856	9200		FA 57 R37	DR 63M4	39 367
	1.8	749	9200		FAF 57 R37	DR 63M4	44 367
	2.0	658	9200		F 57 R37	DR 63M4	39 367
					FF 57 R37	DR 63M4	45 367
	2.4	549	9200		FA 57 R37	DR 63L4	39 367
	2.7	483	9200		FAF 57 R37	DR 63L4	45 367
					F 57 R37	DR 63L4	40 367
					FF 57 R37	DR 63L4	46 367
	3.1	426	9200		FA 57 R37	DR 63L4	39 367
	3.4	382	9200		FAF 57 R37	DR 63L4	45 367
					F 57 R37	DR 63L4	39 367
					FF 57 R37	DR 63L4	46 367
4.2	330	9200		FA 57 R37	DT 71D4	40 367	
4.6	298	9200		FAF 57 R37	DT 71D4	46 367	
5.3	262	9200		F 57 R37	DT 71D4	40 367	
				FF 57 R37	DT 71D4	47 367	
6.0	226	9200		FA 57 R37	DT 80K4	42 367	
6.8	200	9200		FAF 57 R37	DT 80K4	48 367	
				F 57 R37	DT 80K4	42 367	
				FF 57 R37	DT 80K4	49 367	
8.1	170	9200		FA 57 R37	DT 80N4	43 367	
9.1	152	9200		FAF 57 R37	DT 80N4	49 367	
10	134	9200		F 57 R37	DT 80N4	43 367	
				FF 57 R37	DT 80N4	50 367	
820	0.07	19199	10300				
	0.08	17610	10300				
	0.09	14992	10300				
	0.11	12926	10300				
	0.12	11480	10300				
	0.14	10220	10300				
	0.15	8933	10300				
	0.17	7940	10300				
	0.19	7096	10300				
	0.23	6080	10300				
	0.26	5341	10300				
	0.29	4690	10300				
	0.34	4091	10300				
	0.39	3574	10300				
	0.44	3133	10300				
	0.50	2756	10300				
	0.57	2439	10300				
					FA 67 R37	DR 63S4	43 367
				FAF 67 R37	DR 63S4	50 367	
				F 67 R37	DR 63S4	46 367	
				FF 67 R37	DR 63S4	52 367	


F..DR/DT/DV
F..R..D.. [Nm]

$M_{a \max}$ [Nm]	n_a [1/min]	i	$F_{Ra}^{1)}$ [N]					m [kg]	
820	0.41	3377	10300						
	0.47	2912	10300						
	0.51	2714	10300	FA	67 R37	DR	63S4	42	367
	0.58	2372	10300	FAF	67 R37	DR	63S4	48	367
	0.65	2126	10300	F	67 R37	DR	63S4	45	367
	0.85	1631	10300	FF	67 R37	DR	63S4	51	367
	0.96	1437	10300						
	1.1	1256	10300						
	1.2	1126	10300	FA	67 R37	DR	63M4	42	367
	1.3	984	10300	FAF	67 R37	DR	63M4	48	367
	1.5	864	10300	F	67 R37	DR	63M4	45	367
				FF	67 R37	DR	63M4	51	367
	1.8	722	10300	FA	67 R37	DR	63L4	43	367
	2.0	634	10300	FAF	67 R37	DR	63L4	49	367
	2.4	539	10300	F	67 R37	DR	63L4	46	367
				FF	67 R37	DR	63L4	52	367
	0.73	1884	10300	FA	67 R37	DR	63S4	43	367
				FAF	67 R37	DR	63S4	49	367
				F	67 R37	DR	63S4	46	367
				FF	67 R37	DR	63S4	52	367
	2.8	500	10300	FA	67 R37	DT	71D4	43	367
	3.0	454	10300	FAF	67 R37	DT	71D4	50	367
	3.5	392	10300	F	67 R37	DT	71D4	46	367
				FF	67 R37	DT	71D4	52	367
	4.1	333	10300	FA	67 R37	DT	80K4	45	367
	4.6	297	10300	FAF	67 R37	DT	80K4	52	367
	5.2	261	10300	F	67 R37	DT	80K4	48	367
	5.7	238	10300	FF	67 R37	DT	80K4	54	367
	6.9	200	10300	FA	67 R37	DT	80N4	46	367
				FAF	67 R37	DT	80N4	53	367
				F	67 R37	DT	80N4	49	367
				FF	67 R37	DT	80N4	55	367
1500	0.07	19180	15700						
	0.08	17593	15700						
	0.09	16128	15700						
	0.09	14978	15700						
	0.10	13731	15700						
	0.11	12049	15700						
	0.13	11035	15700						
	0.14	9683	15700	FA	77 R37	DR	63S4	65	367
	0.16	8464	15700	FAF	77 R37	DR	63S4	72	367
	0.18	7520	15700	F	77 R37	DR	63S4	69	367
	0.21	6580	15700	FF	77 R37	DR	63S4	80	367
	0.24	5808	15700						
	0.27	5026	15700						
	0.31	4435	15700						
	0.36	3832	15700						
	0.46	2978	15700						
	0.53	2613	15700						
	0.60	2284	15700						
	0.65	2029	15700	FA	77 R37	DR	63M4	65	367
				FAF	77 R37	DR	63M4	72	367
				F	77 R37	DR	63M4	69	367
				FF	77 R37	DR	63M4	80	367
	0.76	1728	15700	FA	77 R37	DR	63M4	65	367
	0.86	1544	15700	FAF	77 R37	DR	63M4	72	367
	0.98	1354	15700	F	77 R37	DR	63M4	69	367
				FF	77 R37	DR	63M4	80	367
	1.1	1200	15700	FA	77 R37	DR	63L4	66	367
	1.2	1053	15700	FAF	77 R37	DR	63L4	72	367
				F	77 R37	DR	63L4	70	367
				FF	77 R37	DR	63L4	80	367

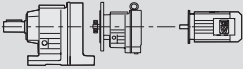



$M_{a \max}$ [Nm]	n_a [1/min]	i	$F_{Ra}^{1)}$ [N]					m [kg]		
1500	1.5	910	15700	FA	77 R37	DT	71D4	67	367	
	1.7	810	15700	FAF	77 R37	DT	71D4	73	367	
	1.9	710	15700	F	77 R37	DT	71D4	71	367	
				FF	77 R37	DT	71D4	81	367	
	2.2	615	15700	FA	77 R37	DT	80K4	69	367	
	2.5	538	15700	FAF	77 R37	DT	80K4	75	367	
	2.8	480	15700	F	77 R37	DT	80K4	73	367	
				FF	77 R37	DT	80K4	83	367	
	3.4	413	15700	FA	77 R37	DT	80N4	70	367	
	3.8	367	15700	FAF	77 R37	DT	80N4	76	367	
	4.3	323	15700	F	77 R37	DT	80N4	74	367	
				FF	77 R37	DT	80N4	84	367	
	3000	0.06	23042	19800						
		0.07	20462	19800						
0.08		18238	19800							
0.09		15877	19800							
0.10		14099	19800							
0.11		12205	19800	FA	87 R57	DR	63S4	120	367	
0.13		10433	19800	FAF	87 R57	DR	63S4	130	367	
0.15		9381	19800	F	87 R57	DR	63S4	125	367	
0.17		8142	19800	FF	87 R57	DR	63S4	140	367	
0.19		7100	19800							
0.22		6273	19800							
0.25		5510	19800							
0.28		4954	19800							
0.31		4245	19800	FA	87 R57	DR	63M4	120	367	
0.35		3721	19800	FAF	87 R57	DR	63M4	130	367	
				F	87 R57	DR	63M4	125	367	
				FF	87 R57	DR	63M4	140	367	
0.41		3244	19800	FA	87 R57	DR	63M4	115	367	
0.46		2881	19800	FAF	87 R57	DR	63M4	130	367	
				F	87 R57	DR	63M4	125	367	
				FF	87 R57	DR	63M4	140	367	
0.50		2576	19800	FA	87 R57	DR	63L4	120	367	
0.59		2199	19800	FAF	87 R57	DR	63L4	130	367	
0.67		1930	19800	F	87 R57	DR	63L4	125	367	
				FF	87 R57	DR	63L4	140	367	
0.81		1709	19800	FA	87 R57	DT	71D4	120	367	
0.92		1493	19800	FAF	87 R57	DT	71D4	130	367	
				F	87 R57	DT	71D4	125	367	
				FF	87 R57	DT	71D4	140	367	
1.1		1300	19800	FA	87 R57	DT	80K4	120	367	
1.2		1148	19800	FAF	87 R57	DT	80K4	135	367	
1.4		1010	19800	F	87 R57	DT	80K4	125	367	
1.5		887	19800	FF	87 R57	DT	80K4	145	367	
1.8		780	19800	FA	87 R57	DT	80N4	120	367	
2.0		674	19800	FAF	87 R57	DT	80N4	135	367	
				F	87 R57	DT	80N4	130	367	
				FF	87 R57	DT	80N4	145	367	
2.3		609	19800	FA	87 R57	DT	90S4	125	367	
2.7		515	19800	FAF	87 R57	DT	90S4	140	367	
3.1		452	19800	F	87 R57	DT	90S4	135	367	
				FF	87 R57	DT	90S4	150	367	
4.1		345	19800	FA	87 R57	DT	90L4	130	367	
			FAF	87 R57	DT	90L4	140	367		
			F	87 R57	DT	90L4	135	367		
			FF	87 R57	DT	90L4	150	367		


F..DR/DT/DV
F..R..D.. [Nm]

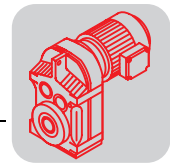
$M_{a \max}$ [Nm]	n_a [1/min]	i	$F_{Ra}^{1)}$ [N]					m [kg]		
4300	0.07	20813	29900							
	0.08	18119	29900							
	0.09	15472	29900							
	0.10	14022	29900	FA	97 R57	DR	63S4	185	367	
	0.11	12324	29900	FAF	97 R57	DR	63S4	205	367	
	0.13	10838	29900	F	97 R57	DR	63S4	190	367	
	0.14	9576	29900	FF	97 R57	DR	63S4	225	367	
	0.17	8318	29900							
	0.19	7328	29900							
	0.20	6469	29900	FA	97 R57	DR	63M4	185	367	
	0.24	5615	29900	FAF	97 R57	DR	63M4	205	367	
	0.27	4961	29900	F	97 R57	DR	63M4	190	367	
	0.30	4333	29900	FF	97 R57	DR	63M4	225	367	
	0.33	3906	29900	FA	97 R57	DR	63L4	185	367	
	0.39	3352	29900	FAF	97 R57	DR	63L4	205	367	
	0.45	2907	29900	F	97 R57	DR	63L4	190	367	
				FF	97 R57	DR	63L4	225	367	
	0.54	2553	29900	FA	97 R57	DT	71D4	185	367	
	0.61	2245	29900	FAF	97 R57	DT	71D4	205	367	
	0.70	1970	29900	F	97 R57	DT	71D4	190	367	
				FF	97 R57	DT	71D4	225	367	
	0.79	1722	29900	FA	97 R57	DT	80K4	185	367	
	0.89	1527	29900	FAF	97 R57	DT	80K4	210	367	
	1.0	1327	29900	F	97 R57	DT	80K4	195	367	
				FF	97 R57	DT	80K4	225	367	
	1.2	1171	29900	FA	97 R57	DT	80N4	190	367	
	1.4	1022	29900	FAF	97 R57	DT	80N4	210	367	
				F	97 R57	DT	80N4	195	367	
				FF	97 R57	DT	80N4	230	367	
	1.6	898	29900	FA	97 R57	DT	90S4	195	367	
	1.8	784	29900	FAF	97 R57	DT	90S4	215	367	
	2.0	690	29900	F	97 R57	DT	90S4	200	367	
				FF	97 R57	DT	90S4	235	367	
	2.3	605	29900	FA	97 R57	DT	90L4	195	367	
	2.7	529	29900	FAF	97 R57	DT	90L4	215	367	
	3.0	467	29900	F	97 R57	DT	90L4	200	367	
				FF	97 R57	DT	90L4	235	367	
	3.5	406	29900	FA	97 R57	DV	100M4	200	367	
	3.9	363	29900	FAF	97 R57	DV	100M4	225	367	
				F	97 R57	DV	100M4	210	367	
				FF	97 R57	DV	100M4	240	367	
	4.9	285	29900	FA	97 R57	DV	100L4	205	367	
	5.7	245	29900	FAF	97 R57	DV	100L4	225	367	
				F	97 R57	DV	100L4	215	367	
				FF	97 R57	DV	100L4	245	367	
	7680	0.05	25375	49800	FA	107 R77	DR	63S4	275	367
		0.06	21652	49800	FAF	107 R77	DR	63S4	295	367
		0.07	18933	49800	F	107 R77	DR	63S4	290	367
0.08		16888	49800	FF	107 R77	DR	63S4	320	367	
0.09		14767	49800							
0.12		11348	49800	FA	107 R77	DR	63M4	275	367	
0.13		10039	49800	FAF	107 R77	DR	63M4	295	367	
0.15		8548	49800	F	107 R77	DR	63M4	290	367	
0.17		7674	49800	FF	107 R77	DR	63M4	320	367	
0.19		6767	49800	FA	107 R77	DR	63L4	275	367	
0.22		5954	49800	FAF	107 R77	DR	63L4	295	367	
0.25		5223	49800	F	107 R77	DR	63L4	290	367	
				FF	107 R77	DR	63L4	320	367	
0.30		4567	49800	FA	107 R77	DT	71D4	275	367	
0.39		3521	49800	FAF	107 R77	DT	71D4	295	367	
				F	107 R77	DT	71D4	290	367	
				FF	107 R77	DT	71D4	320	367	



$M_{a \max}$ [Nm]	n_a [1/min]	i	$F_{Ra}^{1)}$ [N]					m [kg]	
7680	0.45	3037	49800	FA	107 R77	DT	80K4	275	367
	0.49	2756	49800	FAF	107 R77	DT	80K4	300	367
	0.57	2369	49800	F	107 R77	DT	80K4	295	367
				FF	107 R77	DT	80K4	320	367
	0.67	2068	49800	FA	107 R77	DT	80N4	280	367
	0.76	1826	49800	FAF	107 R77	DT	80N4	300	367
				F	107 R77	DT	80N4	295	367
				FF	107 R77	DT	80N4	325	367
	0.88	1597	49800	FA	107 R77	DT	90S4	285	367
	1.0	1401	49800	FAF	107 R77	DT	90S4	305	367
	1.1	1243	49800	F	107 R77	DT	90S4	300	367
				FF	107 R77	DT	90S4	330	367
	1.3	1087	49800	FA	107 R77	DT	90L4	285	367
	1.5	950	49800	FAF	107 R77	DT	90L4	305	367
				F	107 R77	DT	90L4	300	367
				FF	107 R77	DT	90L4	330	367
	1.7	834	49800	FA	107 R77	DV	100M4	290	367
	1.9	736	49800	FAF	107 R77	DV	100M4	315	367
	2.2	640	49800	F	107 R77	DV	100M4	310	367
				FF	107 R77	DV	100M4	335	367
	2.5	560	49800	FA	107 R77	DV	100L4	295	367
	2.9	489	49800	FAF	107 R77	DV	100L4	315	367
	3.2	436	49800	F	107 R77	DV	100L4	310	367
				FF	107 R77	DV	100L4	340	367
	3.8	370	49800	FA	107 R77	DV	112M4	300	367
	4.3	333	49800	FAF	107 R77	DV	112M4	325	367
				F	107 R77	DV	112M4	320	367
				FF	107 R77	DV	112M4	345	367
12000	0.06	24478	90000	FA	127 R77	DR	63S4	425	367
	0.06	22323	90000	FAF	127 R77	DR	63S4	465	367
	0.07	19048	90000	F	127 R77	DR	63S4	460	367
				FF	127 R77	DR	63S4	510	367
	0.08	16656	90000	FA	127 R77	DR	63M4	425	367
	0.09	14722	90000	FAF	127 R77	DR	63M4	465	367
	0.10	12912	90000	F	127 R77	DR	63M4	460	367
	0.11	11656	90000	FF	127 R77	DR	63M4	510	367
	0.13	10191	90000	FA	127 R77	DR	63L4	425	367
	0.15	8831	90000	FAF	127 R77	DR	63L4	465	367
				F	127 R77	DR	63L4	465	367
				FF	127 R77	DR	63L4	510	367
	0.18	7643	90000	FA	127 R77	DT	71D4	425	367
	0.21	6715	90000	FAF	127 R77	DT	71D4	465	367
	0.23	5925	90000	F	127 R77	DT	71D4	465	367
				FF	127 R77	DT	71D4	510	367
	0.26	5153	90000	FA	127 R77	DT	80K4	430	367
	0.30	4533	90000	FAF	127 R77	DT	80K4	465	367
	0.35	3926	90000	F	127 R77	DT	80K4	465	367
				FF	127 R77	DT	80K4	510	367
	0.40	3454	90000	FA	127 R77	DT	80N4	430	367
	0.46	3031	90000	FAF	127 R77	DT	80N4	470	367
				F	127 R77	DT	80N4	465	367
				FF	127 R77	DT	80N4	510	367
	0.52	2672	90000	FA	127 R77	DT	80N4	430	367
				FAF	127 R77	DT	80N4	465	367
				F	127 R77	DT	80N4	465	367
				FF	127 R77	DT	80N4	510	367
0.59	2357	90000	FA	127 R77	DT	90S4	435	367	
0.69	2038	90000	FAF	127 R77	DT	90S4	470	367	
0.79	1784	90000	F	127 R77	DT	90S4	470	367	
			FF	127 R77	DT	90S4	520	367	


F..DR/DT/DV
F..R..D.. [Nm]

$M_{a \max}$ [Nm]	n_a [1/min]	i	$F_{Ra}^{1)}$ [N]					m [kg]										
12000	0.88	1606	90000	FA	127 R77	DT	90L4	435	367									
		1390	90000	FAF	127 R77	DT	90L4	475	367									
	1.2	1.3	1.5	90000	F	127 R77	DT	90L4	470	367								
				90000	FF	127 R77	DT	90L4	520	367								
				90000	FA	127 R77	DV	100M4	445	367								
				90000	FAF	127 R77	DV	100M4	480	367								
	1.7	1.9	2.2	90000	F	127 R77	DV	100M4	480	367								
				90000	FF	127 R77	DV	100M4	520	367								
				90000	FA	127 R77	DV	100L4	445	367								
				90000	FAF	127 R77	DV	100L4	485	367								
	2.6	2.9		90000	F	127 R77	DV	100L4	485	367								
				90000	FF	127 R77	DV	100L4	530	367								
				90000	FA	127 R77	DV	112M4	455	367								
				90000	FAF	127 R77	DV	112M4	490	367								
	3.3	3.8		90000	F	127 R77	DV	112M4	490	367								
				90000	FF	127 R77	DV	112M4	530	367								
				90000	FA	127 R77	DV	132S4	460	367								
				90000	FAF	127 R77	DV	132S4	495	367								
	3.0	3.4	3.8	90000	F	127 R77	DV	132S4	495	367								
				90000	FF	127 R77	DV	132S4	540	367								
				90000	FA	127 R87	DV	132S4	480	367								
				90000	FAF	127 R87	DV	132S4	520	367								
	4.6	4.9		90000	F	127 R87	DV	132S4	520	367								
				90000	FF	127 R87	DV	132S4	560	367								
				90000	FA	127 R87	DV	132M4	500	367								
				90000	FAF	127 R87	DV	132M4	540	367								
	5.6	6.5		90000	F	127 R87	DV	132M4	540	367								
				90000	FF	127 R87	DV	132M4	580	367								
				90000	FA	127 R87	DV	132ML4	510	367								
				90000	FAF	127 R87	DV	132ML4	550	367								
7.3			90000	F	127 R87	DV	132ML4	550	367									
			90000	FF	127 R87	DV	132ML4	590	367									
			90000	FA	127 R87	DV	160M4	510	367									
			90000	FAF	127 R87	DV	160M4	550	367									
18000	0.04	31434	100300															
		26173	100300															
	0.05	0.06	0.07	0.08	0.08	0.10	0.11											
											23464	100300	FA	157 R97	DT	80K4	770	367
	20212	100300	FAF	157 R97	DT	80K4	820	367										
	17984	100300	F	157 R97	DT	80K4	790	367										
	16358	100300	FF	157 R97	DT	80K4	890	367										
	13751	100300																
	12235	100300																
	0.14	0.16	0.17															
											10033	100300	FA	157 R97	DT	90S4	770	367
											9021	100300	FAF	157 R97	DT	90S4	830	367
											8026	100300	F	157 R97	DT	90S4	790	367
	0.19	0.22																
											7075	100300	FF	157 R97	DT	90S4	900	367
											6295	100300	FA	157 R97	DT	80K4	770	367
											6295	100300	FAF	157 R97	DT	80K4	820	367
	0.26																	
											7075	100300	F	157 R97	DT	80K4	790	367
											6295	100300	FF	157 R97	DT	80K4	890	367
											5404	100300	FA	157 R97	DT	80N4	770	367
	0.29	0.34																
											5404	100300	FAF	157 R97	DT	80N4	830	367
											4831	100300	F	157 R97	DT	80N4	790	367
											4130	100300	FF	157 R97	DT	80N4	890	367
	4831	100300	FA	157 R97	DT	90S4	770	367										
	4130	100300	FAF	157 R97	DT	90S4	830	367										
					F	157 R97	DT	90S4	790	367								
					FF	157 R97	DT	90S4	900	367								



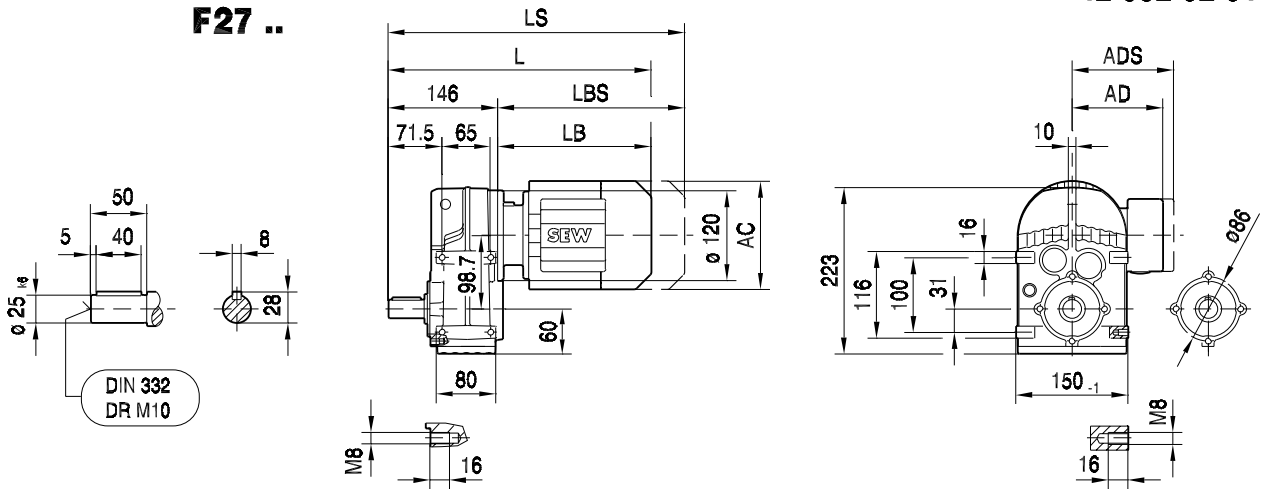
$M_{a \max}$ [Nm]	n_a [1/min]	i	$F_{Ra}^{1)}$ [N]					m [kg]	
18000	0.39	3607	100300	FA	157 R97	DV	100M4	780	367
		3210	100300	FAF	157 R97	DV	100M4	840	367
	0.44	2780	100300	F	157 R97	DV	100M4	800	367
				FF	157 R97	DV	100M4	910	367
				FA	157 R97	DT	90S4	770	367
				FAF	157 R97	DT	90S4	830	367
	0.50	1441	100300	F	157 R97	DT	90S4	790	367
				FF	157 R97	DT	90S4	900	367
				FA	157 R97	DV	100M4	780	367
				FAF	157 R97	DV	100M4	840	367
	0.58	2427	100300	F	157 R97	DV	100M4	800	367
				FF	157 R97	DV	100M4	910	367
				FA	157 R97	DT	90L4	770	367
				FAF	157 R97	DT	90L4	830	367
	0.65	2185	100300	F	157 R97	DT	90L4	790	367
				FF	157 R97	DT	90L4	900	367
				FA	157 R97	DV	100M4	780	367
				FAF	157 R97	DV	100M4	840	367
	0.73	1944	100300	F	157 R97	DV	100M4	800	367
				FF	157 R97	DV	100M4	910	367
				FA	157 R97	DV	100L4	780	367
				FAF	157 R97	DV	100L4	840	367
	0.84	1674	100300	F	157 R97	DV	100M4	800	367
				FF	157 R97	DV	100M4	910	367
				FA	157 R97	DV	100L4	780	367
				FAF	157 R97	DV	100L4	840	367
	1.1	1308	100300	F	157 R97	DV	100L4	800	367
				FF	157 R97	DV	100L4	910	367
				FA	157 R97	DV	112M4	790	367
				FAF	157 R97	DV	112M4	850	367
1.2	1169	100300	F	157 R97	DV	112M4	810	367	
			FF	157 R97	DV	112M4	920	367	
			FA	157 R97	DV	132S4	800	367	
			FAF	157 R97	DV	132S4	850	367	
1.5	953	100300	F	157 R97	DV	132S4	820	367	
			FF	157 R97	DV	132S4	920	367	
			FA	157 R97	DV	132M4	820	367	
			FAF	157 R97	DV	132M4	870	367	
1.7	845	100300	F	157 R97	DV	132M4	840	367	
			FF	157 R97	DV	132M4	940	367	
			FA	157 R97	DV	132ML4	830	367	
			FAF	157 R97	DV	132ML4	880	367	
1.9	764	100300	F	157 R97	DV	132ML4	850	367	
			FF	157 R97	DV	132ML4	950	367	
			FA	157 R97	DV	160M4	830	367	
			FAF	157 R97	DV	160M4	890	367	
2.1	680	100300	F	157 R97	DV	160M4	850	367	
			FF	157 R97	DV	160M4	960	367	
			FA	157 R97	DV	160L4	870	367	
			FAF	157 R97	DV	160L4	930	367	
2.5	576	100300	F	157 R97	DV	160L4	890	367	
			FF	157 R97	DV	160L4	1000	367	
			FA	157 R97	DV	180M4	890	367	
			FAF	157 R97	DV	180M4	950	367	
2.8	503	100300	F	157 R97	DV	180M4	910	367	
			FF	157 R97	DV	180M4	1020	367	
			FA	157 R97	DV	180M4	910	367	
			FAF	157 R97	DV	180M4	910	367	
3.2	446	100300	F	157 R97	DV	180M4	910	367	
			FF	157 R97	DV	180M4	1020	367	
			FA	157 R97	DV	180M4	910	367	
			FAF	157 R97	DV	180M4	910	367	
4.1	353	100300	F	157 R97	DV	180M4	910	367	
			FF	157 R97	DV	180M4	1020	367	
			FA	157 R97	DV	180M4	910	367	
			FAF	157 R97	DV	180M4	910	367	
4.8	302	100300	F	157 R97	DV	180M4	910	367	
			FF	157 R97	DV	180M4	1020	367	
			FA	157 R97	DV	180M4	910	367	
			FAF	157 R97	DV	180M4	910	367	
5.3	273	100300	F	157 R97	DV	180M4	910	367	
			FF	157 R97	DV	180M4	1020	367	
			FA	157 R97	DV	180M4	910	367	
			FAF	157 R97	DV	180M4	910	367	
6.3	232	100300	F	157 R97	DV	180M4	910	367	
			FF	157 R97	DV	180M4	1020	367	
			FA	157 R97	DV	180M4	910	367	
			FAF	157 R97	DV	180M4	910	367	
7.2	202	100300	F	157 R97	DV	180M4	910	367	
			FF	157 R97	DV	180M4	1020	367	
			FA	157 R97	DV	180M4	910	367	
			FAF	157 R97	DV	180M4	910	367	
7.5	197	100300	F	157 R97	DV	180M4	910	367	
			FF	157 R97	DV	180M4	1020	367	
			FA	157 R97	DV	180M4	910	367	
			FAF	157 R97	DV	180M4	910	367	



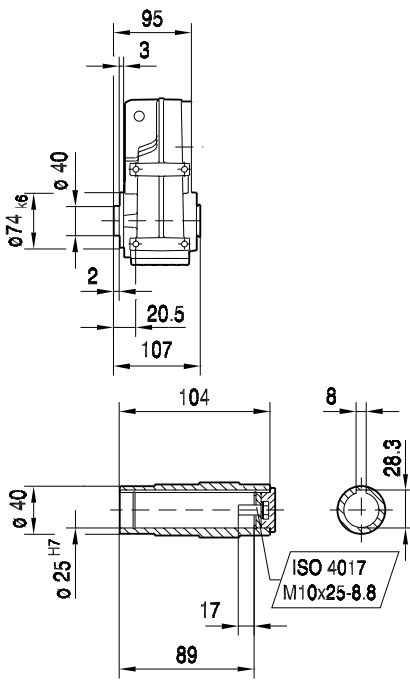
9.5 F.. [mm]

42 032 02 01

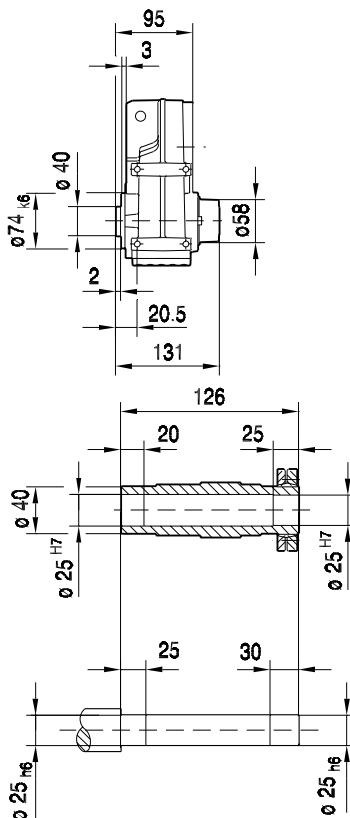
F27 ..



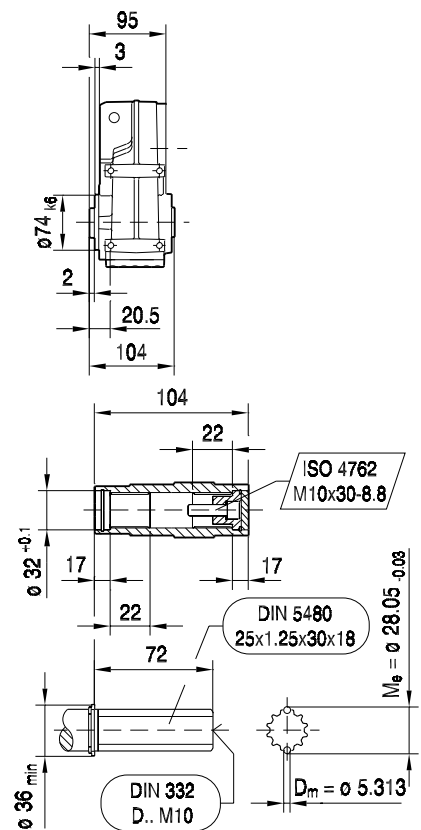
FA27B ..



FH27B ..
max. DT80..



FV27B ..

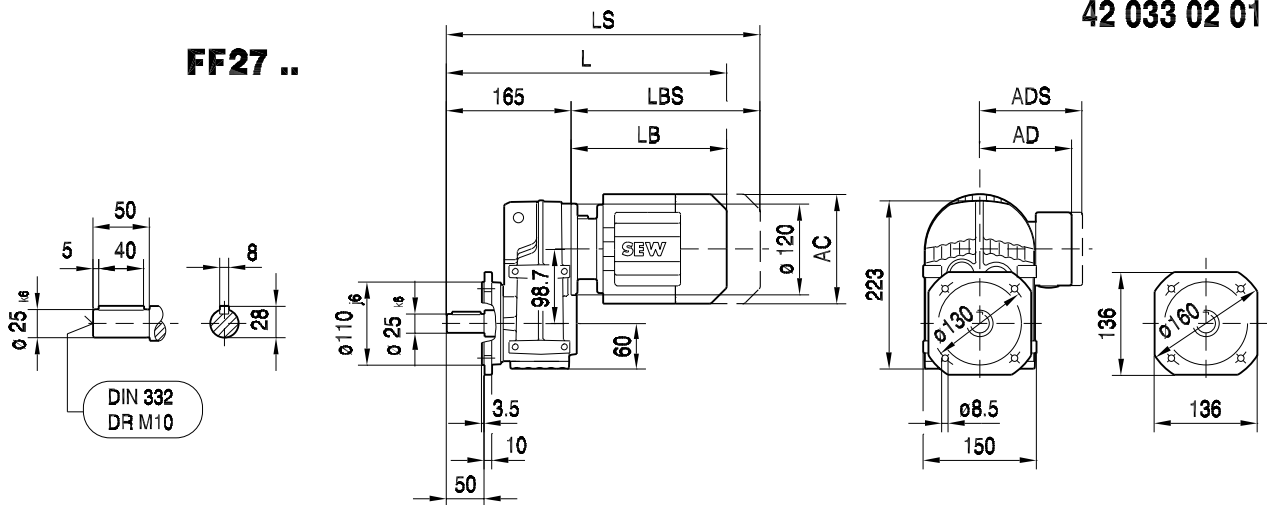


(→ 102)	DR63..	DT71D	DT80..	DT90..					
AC	132	145	145	197					
AD	105	122	122	154					
ADS	105	127	127	161					
L	337	352	402	422					
LS	392	415	465	507					
LB	191	206	256	276					
LBS	246	269	319	361					

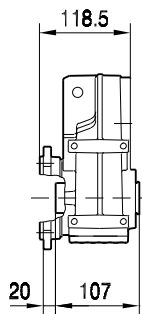


42 033 02 01

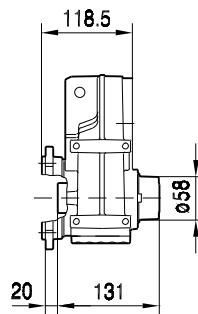
FF27 ..



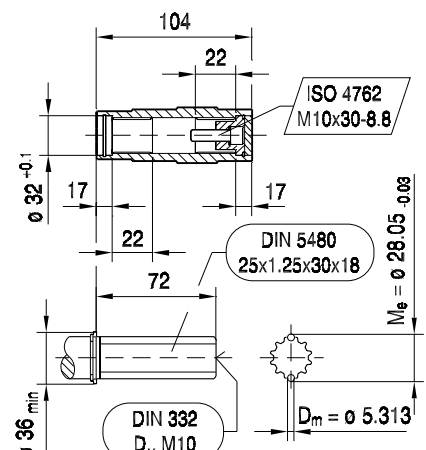
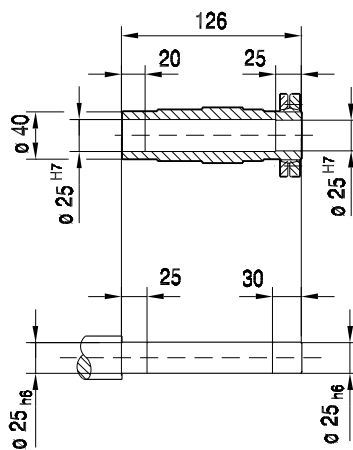
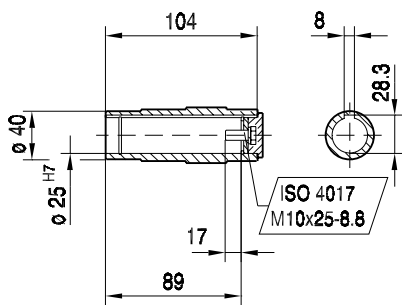
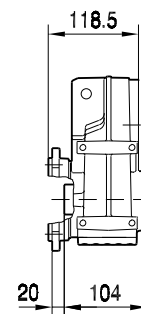
FAF27 ..



FHF27 ..
max. DT80..



FVF27 ..

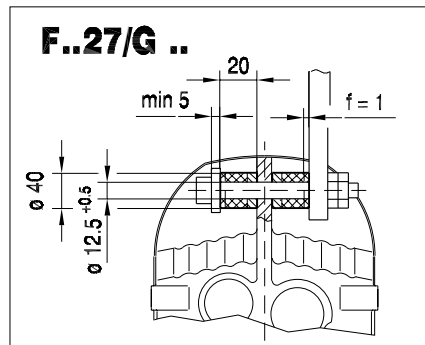
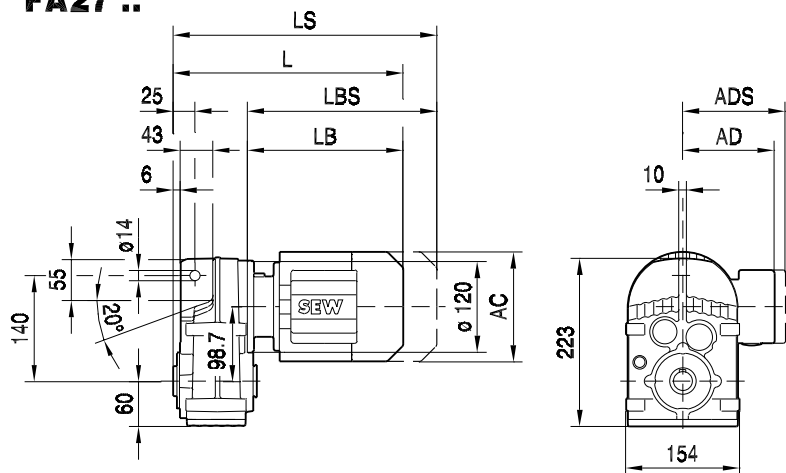


(→ 102)	DR63..	DT71D	DT80..	DT90..					
AC	132	145	145	197					
AD	105	122	122	154					
ADS	105	127	127	161					
L	356	371	421	441					
LS	411	434	484	526					
LB	191	206	256	276					
LBS	246	269	319	361					

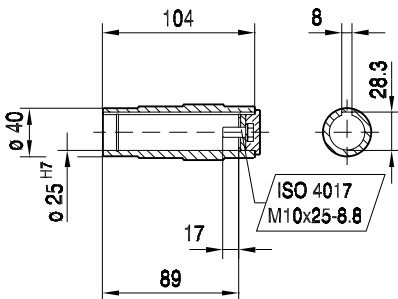
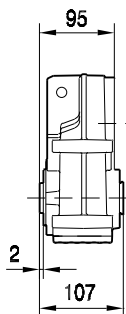


42 034 02 01

FA27 ..

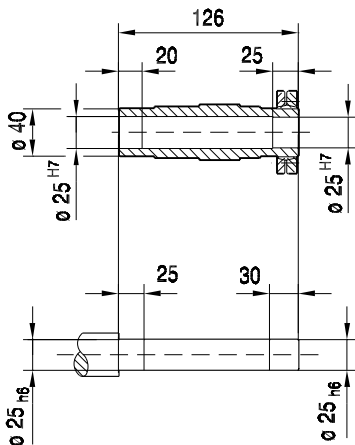
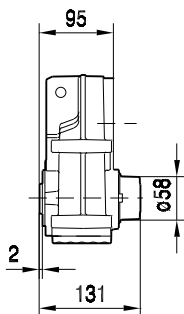


FA27 ..

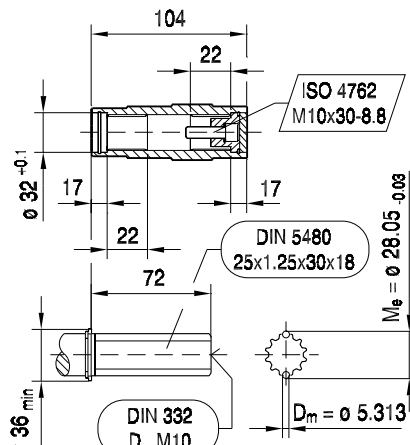
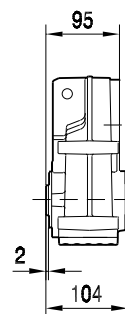


FH27 ..

max. DT80..



FV27 ..

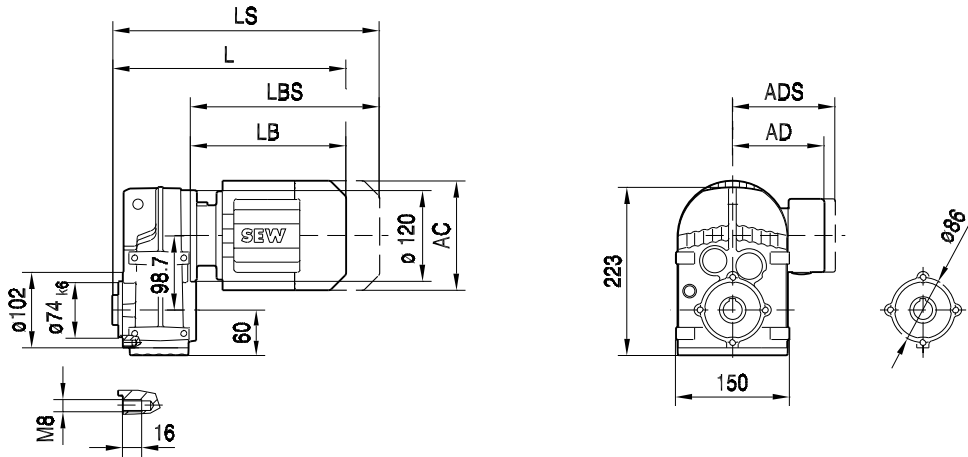


(→ 102)	DR63..	DT71D	DT80..	DT90..					
AC	132	145	145	197					
AD	105	122	122	154					
ADS	105	127	127	161					
L	286	301	351	371					
LS	341	364	414	456					
LB	191	206	256	276					
LBS	246	269	319	361					

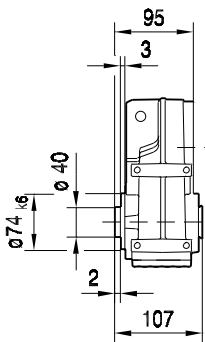


42 035 02 01

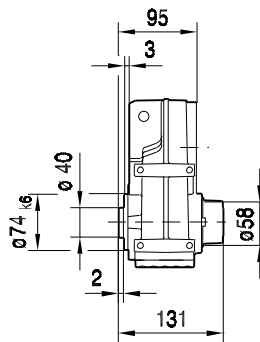
FAZ27 ..



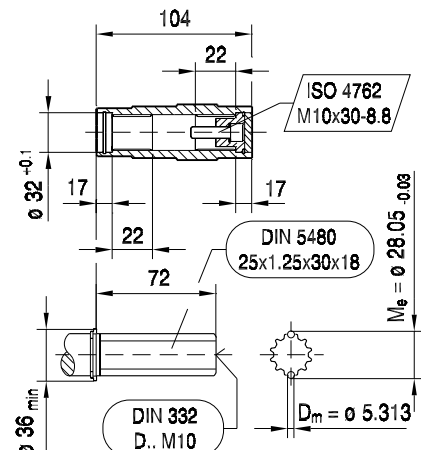
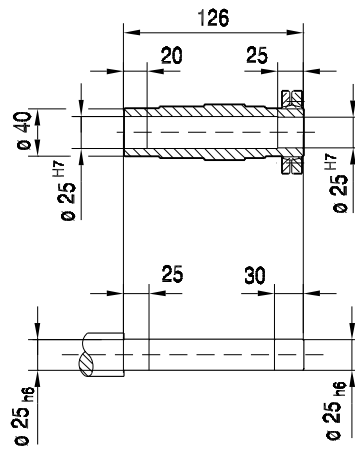
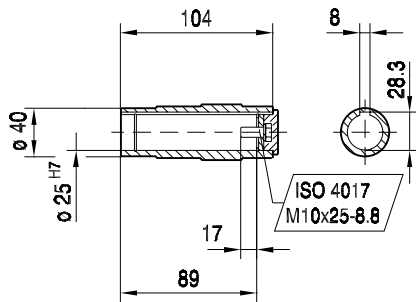
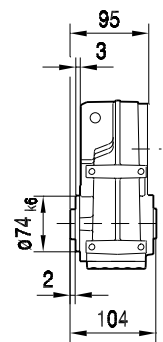
FAZ27 ..



FHZ27 ..
max. DT80..



FVZ27 ..

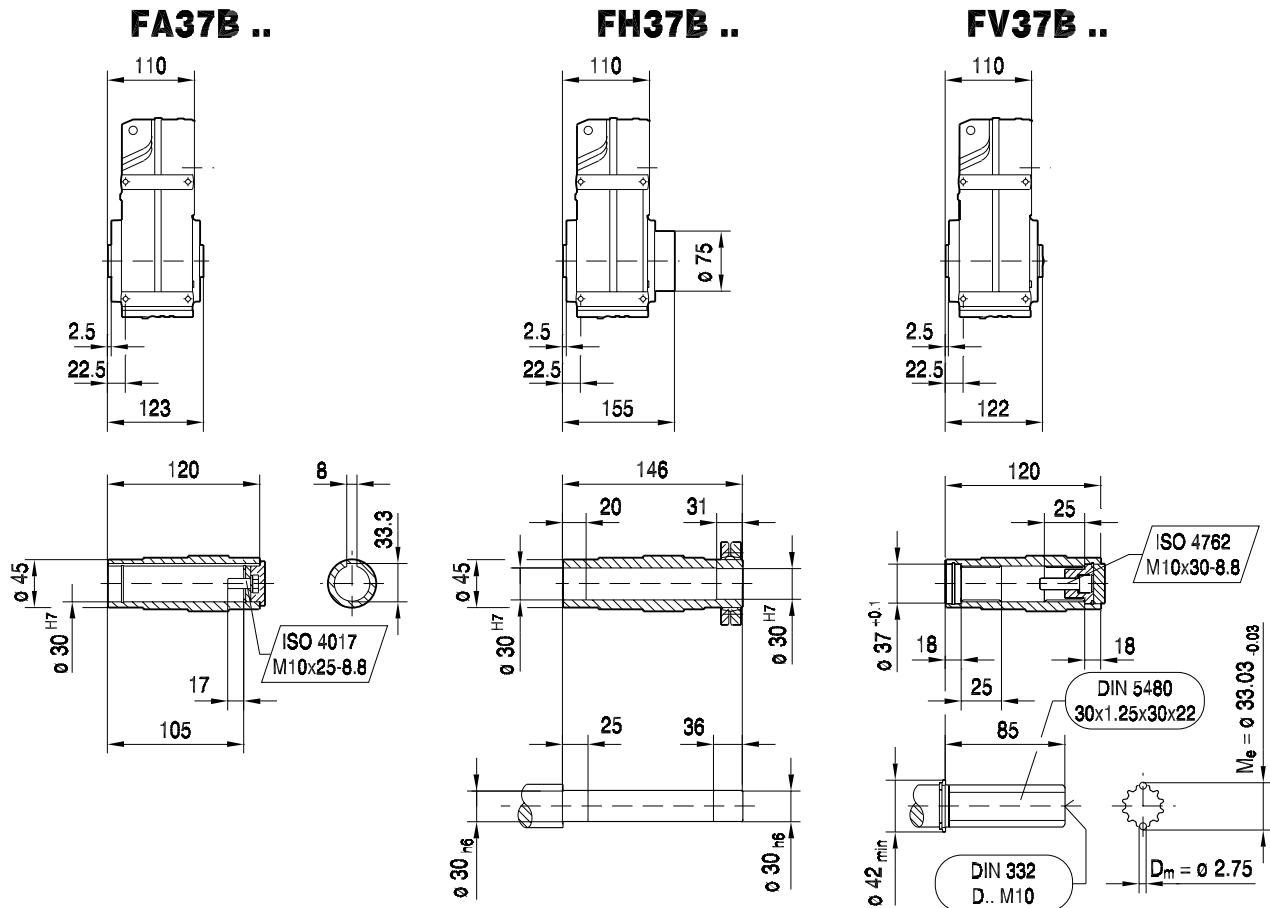
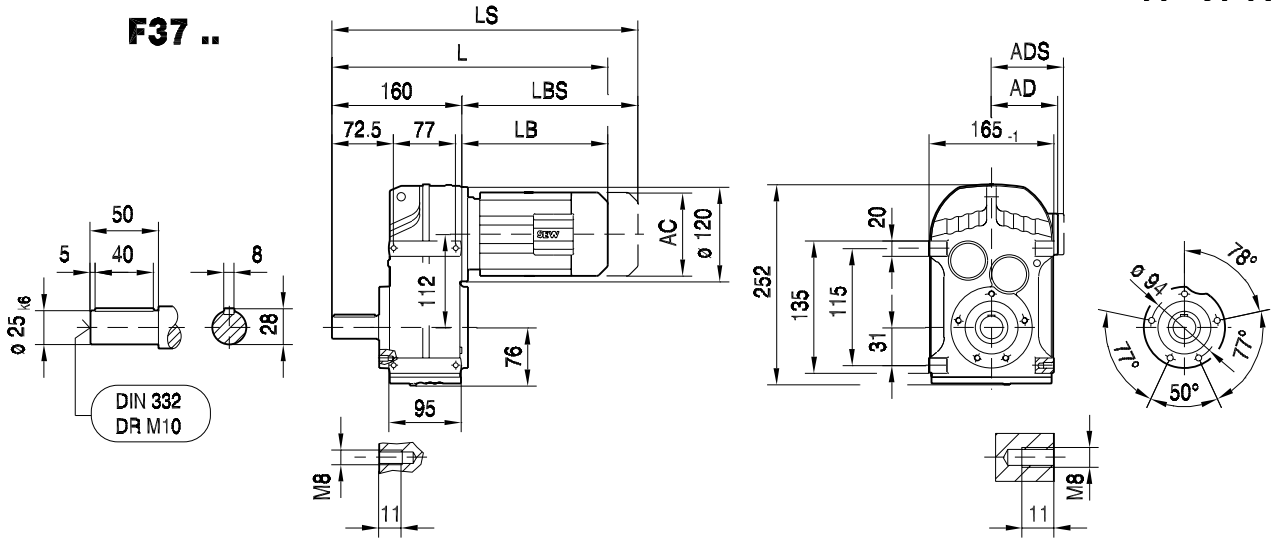


(→ 102)	DR63..	DT71D	DT80..	DT90..					
AC	132	145	145	197					
AD	105	122	122	154					
ADS	105	127	127	161					
L	286	301	351	371					
LS	341	364	414	456					
LB	191	206	256	276					
LBS	246	269	319	361					



F..DR/DT/DV
F.. [mm]

42 001 03 00

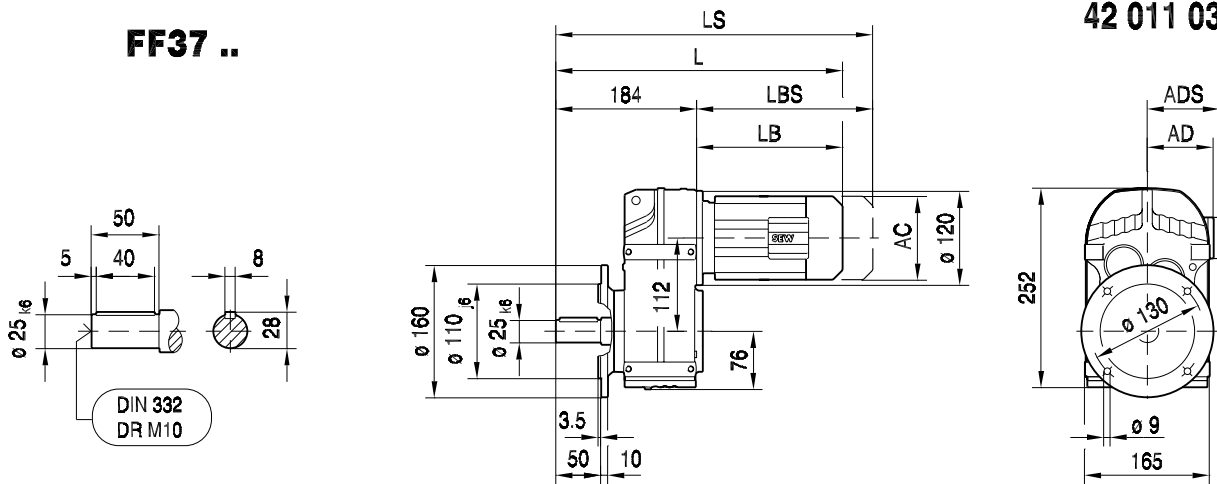


(→ 102)	DR63..	DT71D	DT80..	DT90..	DV100M	DV100L				
AC	132	145	145	197	197	197				
AD	105	122	122	154	166	166				
ADS	105	127	127	161	166	166				
L	351	366	416	436	488	518				
LS	406	429	479	521	573	603				
LB	191	206	256	276	328	358				
LBS	246	269	319	361	413	443				



FF37 ..

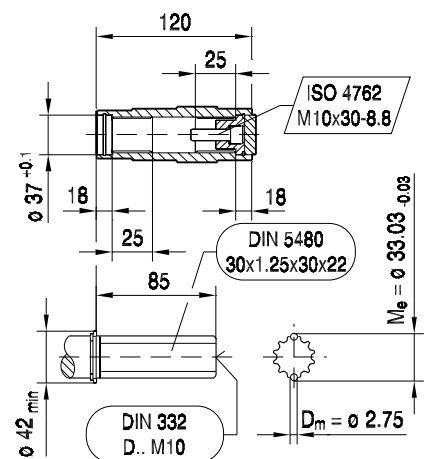
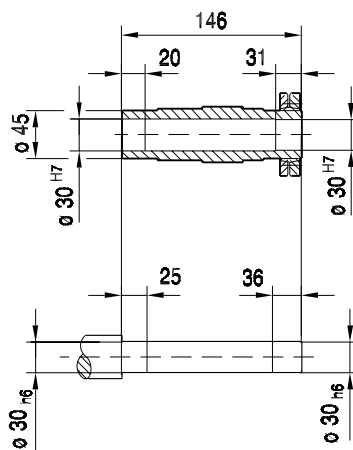
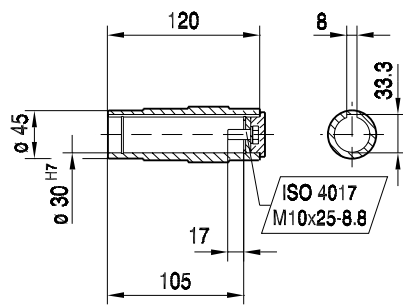
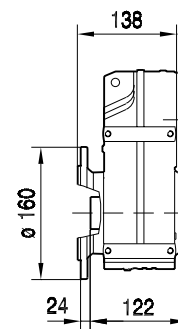
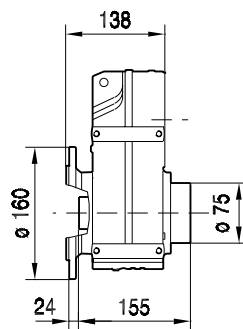
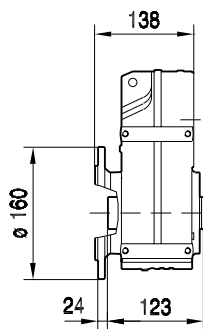
42 011 03 00



FAF37 ..

FHF37 ..

FVF37 ..



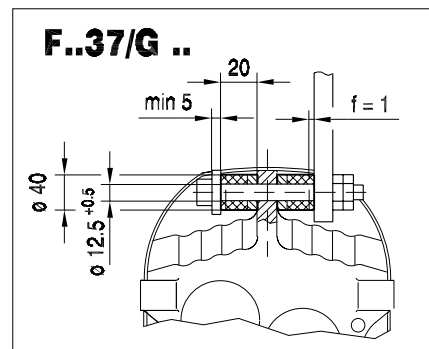
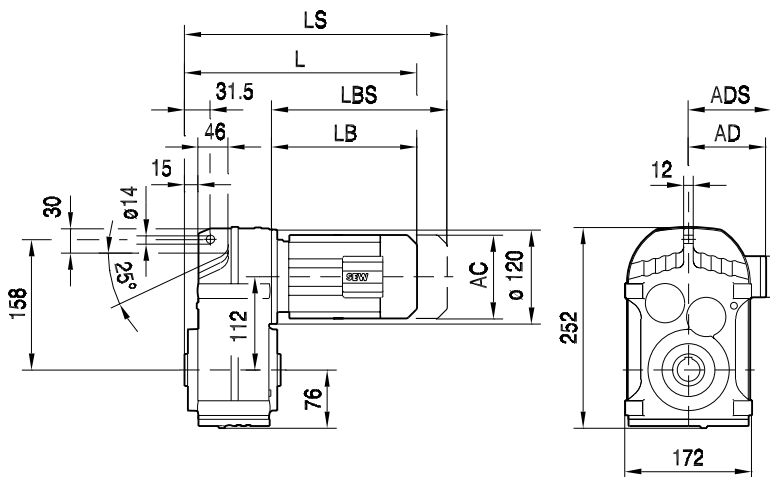
(→ 102)	DR63..	DT71D	DT80..	DT90..	DV100M	DV100L				
AC	132	145	145	197	197	197				
AD	105	122	122	154	166	166				
ADS	105	127	127	161	166	166				
L	375	390	440	460	512	542				
LS	430	453	503	545	597	627				
LB	191	206	256	276	328	358				
LBS	246	269	319	361	413	443				



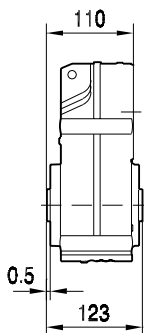
F..DR/DT/DV
F.. [mm]

42 021 03 00

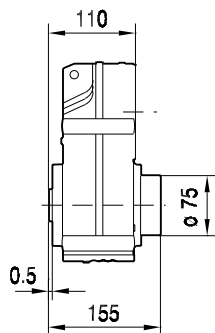
FA37 ..



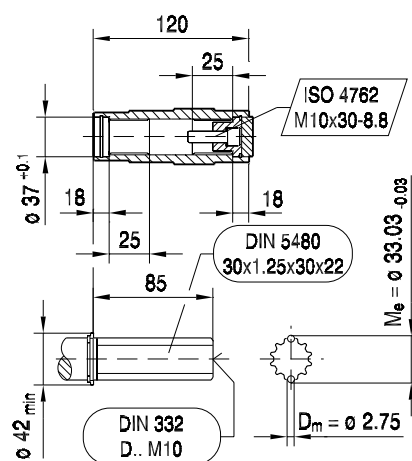
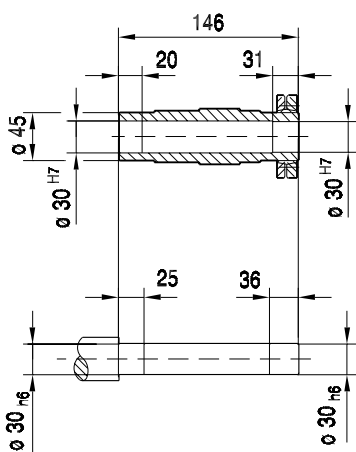
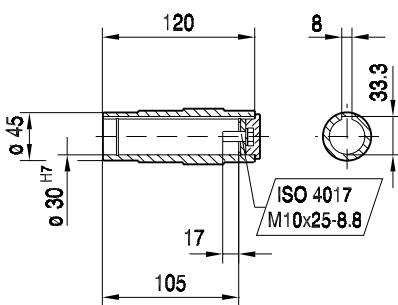
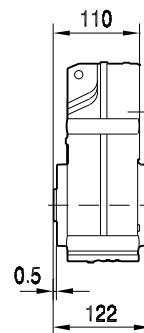
FA37 ..



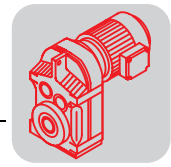
FH37 ..



FV37 ..

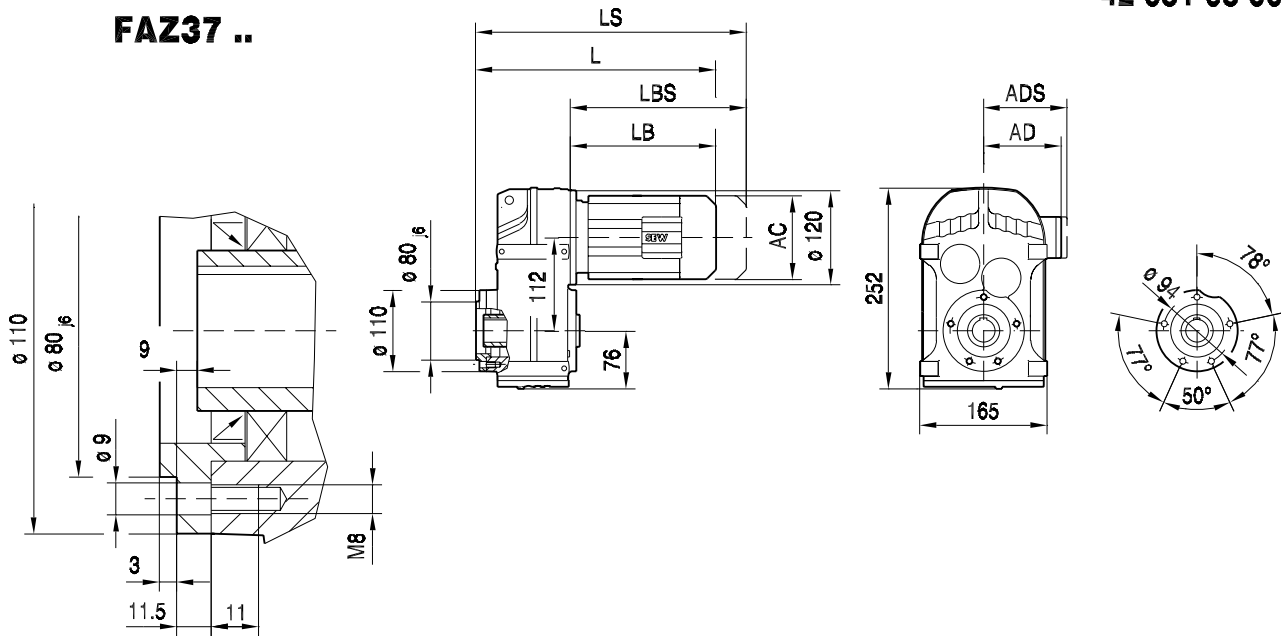


(→ 102)	DR63..	DT71D	DT80..	DT90..	DV100M	DV100L				
AC	132	145	145	197	197	197				
AD	105	122	122	154	166	166				
ADS	105	127	127	161	166	166				
L	301	316	366	386	438	468				
LS	356	379	429	471	523	553				
LB	191	206	256	276	328	358				
LBS	246	269	319	361	413	443				

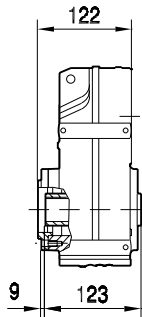


42 031 03 00

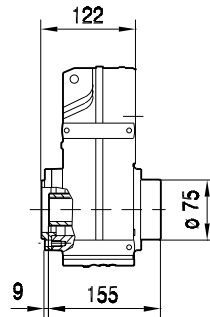
FAZ37 ..



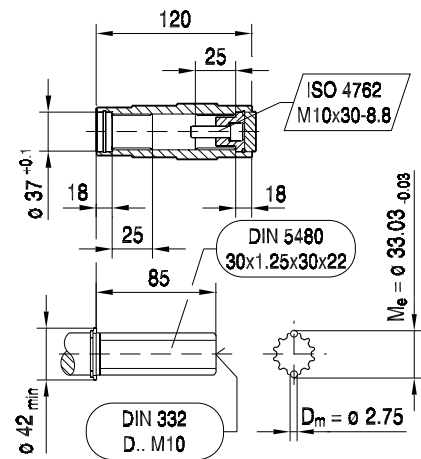
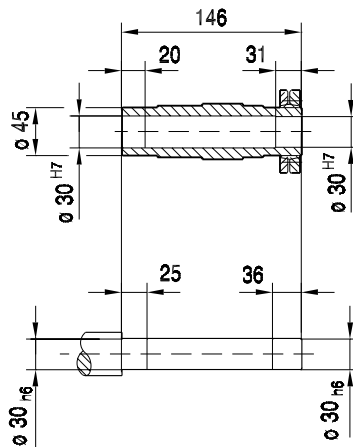
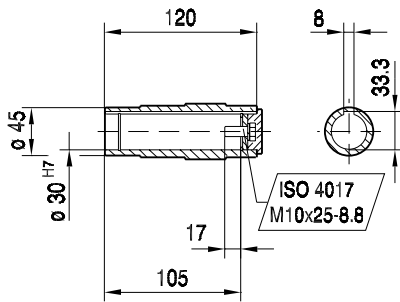
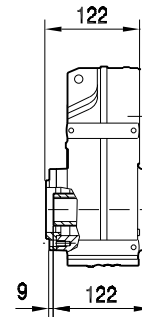
FAZ37 ..



FHZ37 ..



FVZ37 ..

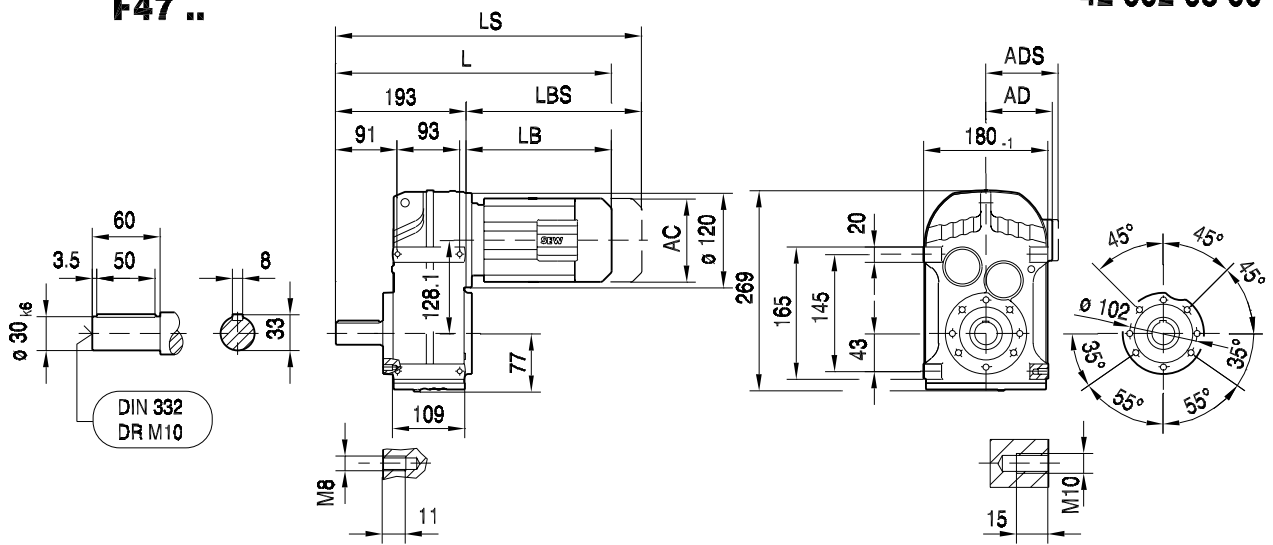


(→ 102)	DR63..	DT71D	DT80..	DT90..	DV100M	DV100L				
AC	132	145	145	197	197	197				
AD	105	122	122	154	166	166				
ADS	105	127	127	161	166	166				
L	313	328	378	398	450	480				
LS	368	391	441	483	535	565				
LB	191	206	256	276	328	358				
LBS	246	269	319	361	413	443				

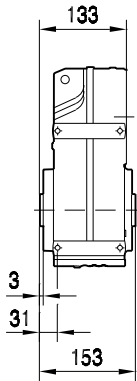


42 002 03 00

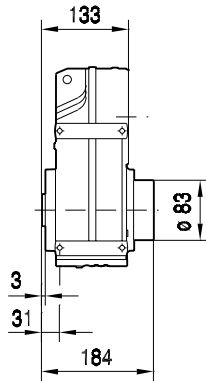
F47 ..



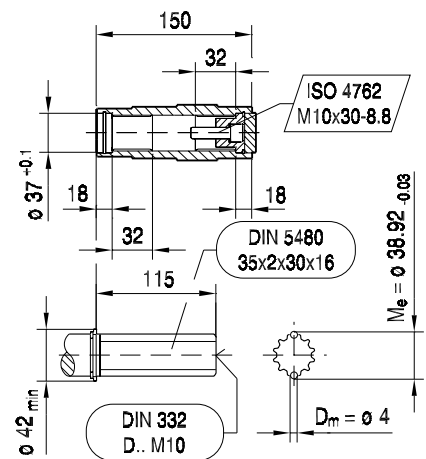
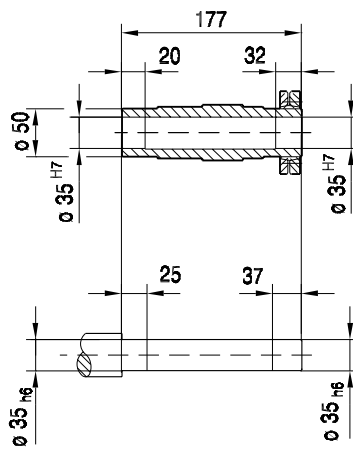
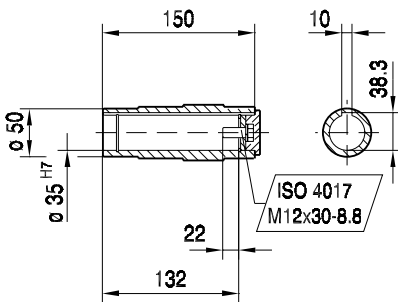
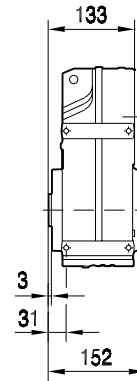
FA47B ..



FH47B ..



FV47B ..

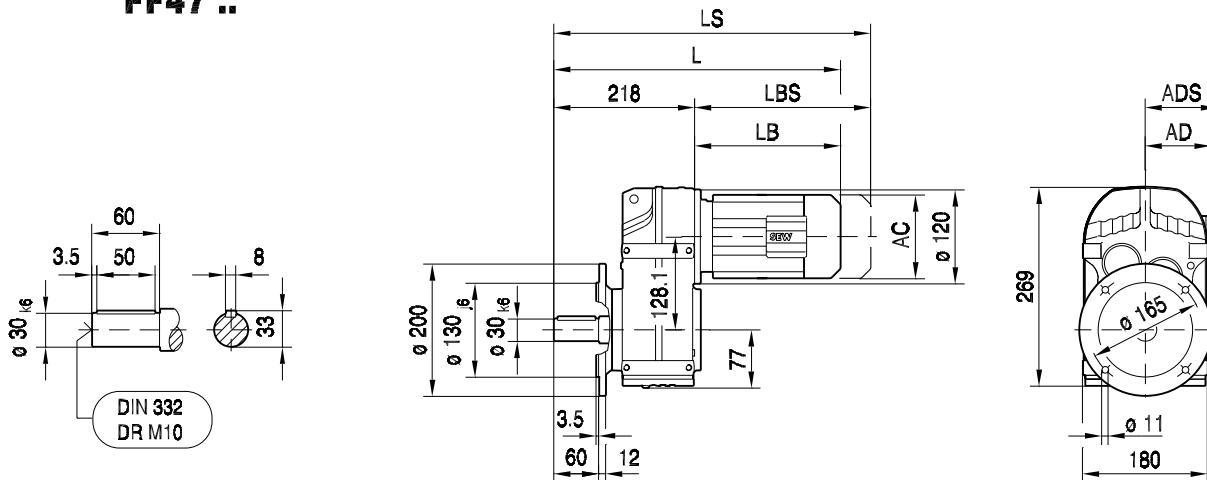


(→ 102)	DR63..	DT71D	DT80..	DT90..	DV100M	DV100L				
AC	132	145	145	197	197	197				
AD	105	122	122	154	166	166				
ADS	105	127	127	161	166	166				
L	384	399	449	469	521	551				
LS	439	462	512	554	606	636				
LB	191	206	256	276	328	358				
LBS	246	269	319	361	413	443				

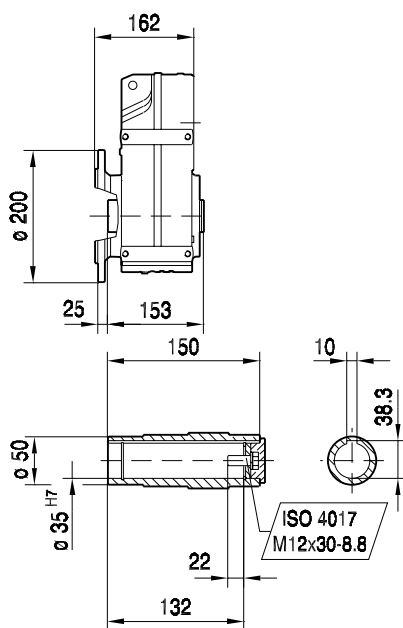


42 012 03 00

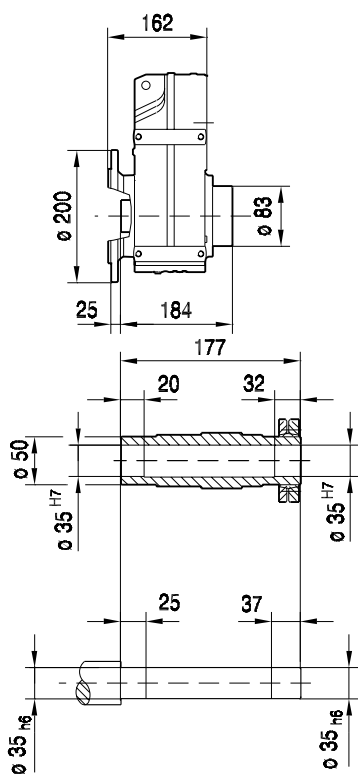
FF47 ..



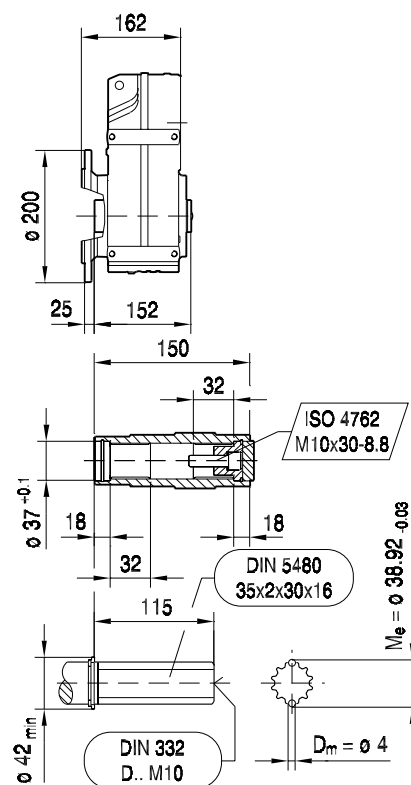
FAF47 ..



FHF47 ..



FVF47 ..

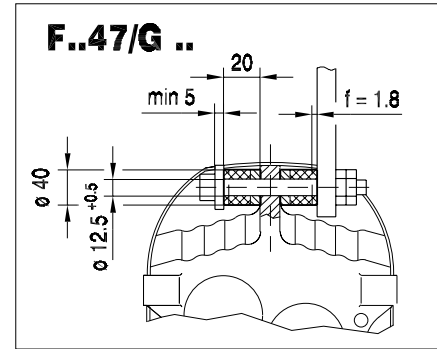
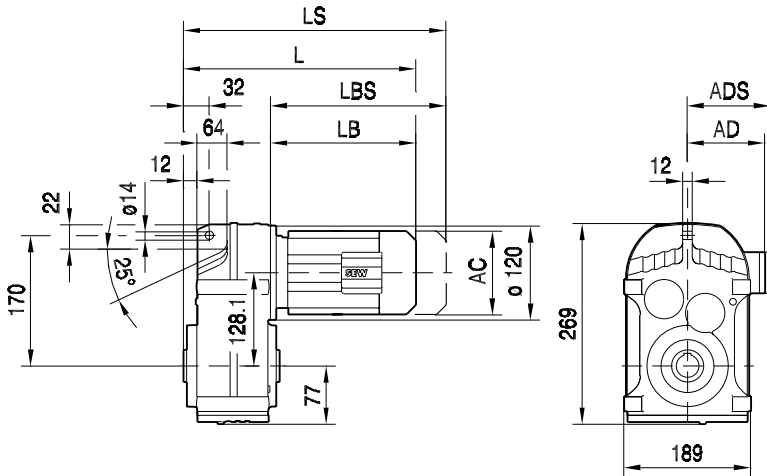


(→ 102)	DR63..	DT71D	DT80..	DT90..	DV100M	DV100L				
AC	132	145	145	197	197	197				
AD	105	122	122	154	166	166				
ADS	105	127	127	161	166	166				
L	409	424	474	494	546	576				
LS	464	487	537	579	631	661				
LB	191	206	256	276	328	358				
LBS	246	269	319	361	413	443				

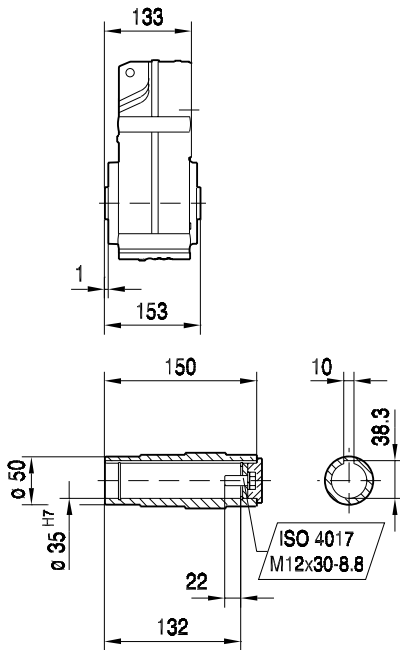


42 022 03 00

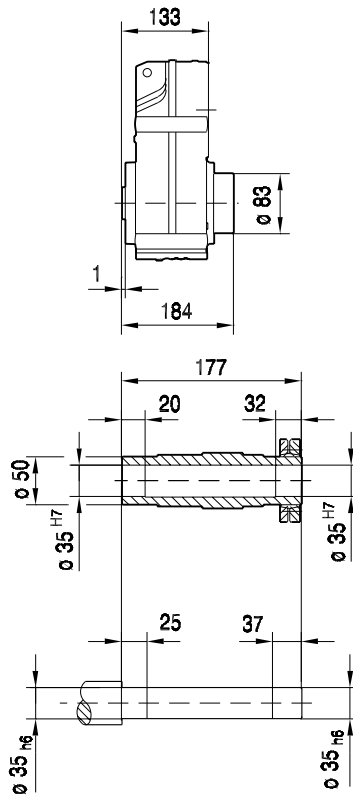
FA47 ..



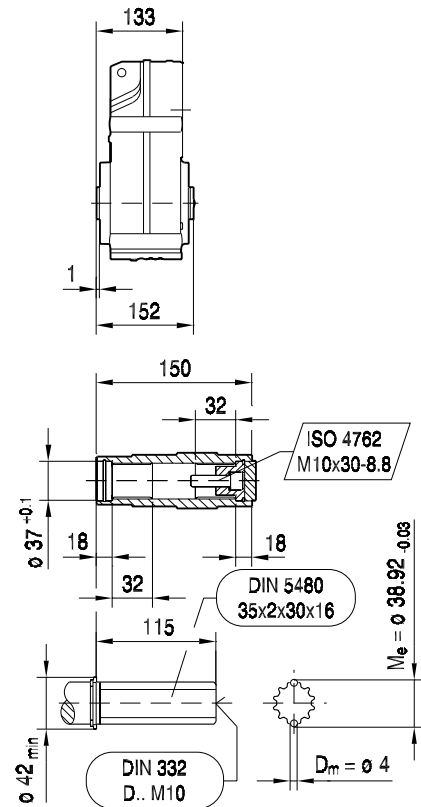
FA47 ..



FH47 ..



FV47 ..



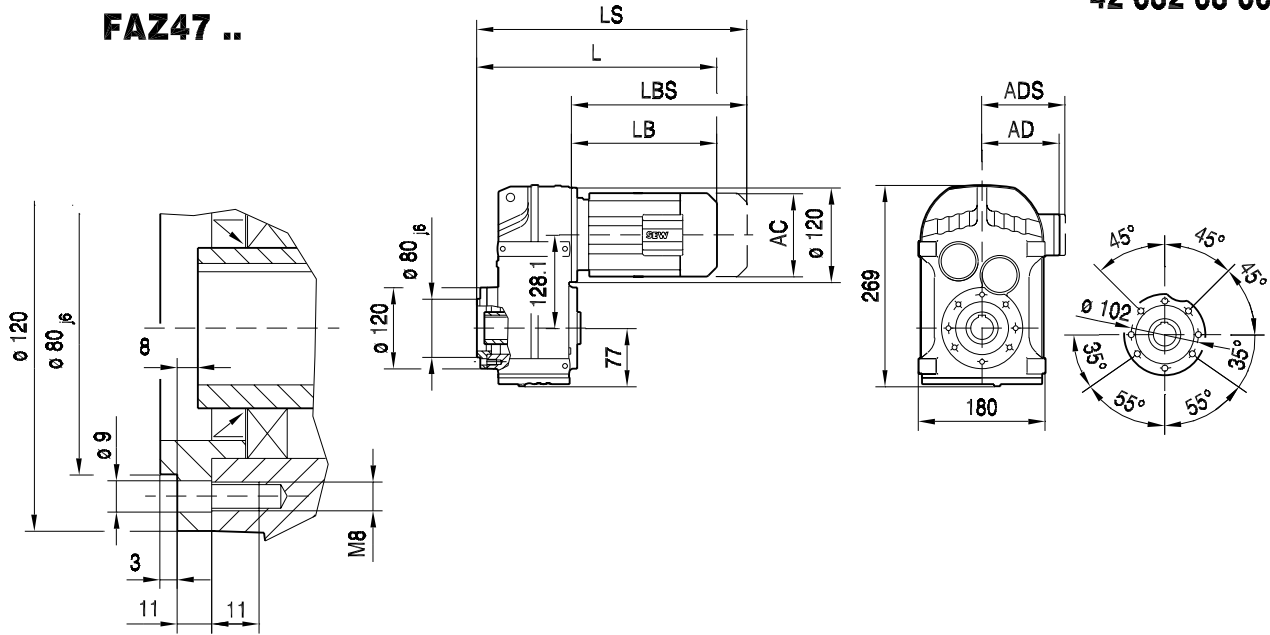
(→ 102)	DR63..	DT71D	DT80..	DT90..	DV100M	DV100L				
AC	132	145	145	197	197	197				
AD	105	122	122	154	166	166				
ADS	105	127	127	161	166	166				
L	324	339	389	409	461	491				
LS	379	402	452	494	546	576				
LB	191	206	256	276	328	358				
LBS	246	269	319	361	413	443				



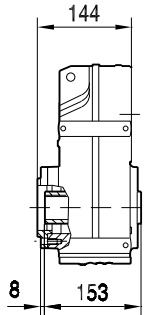
F..DR/DT/DV
F.. [mm]

42 032 03 00

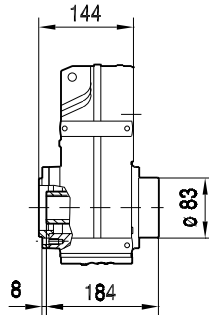
FAZ47 ..



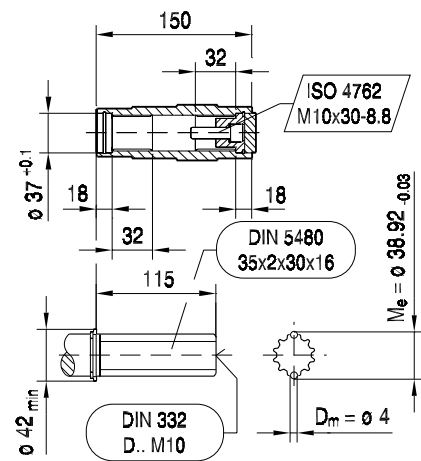
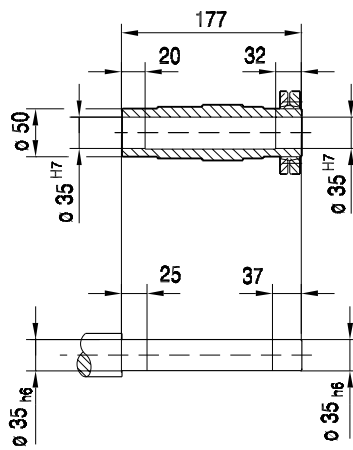
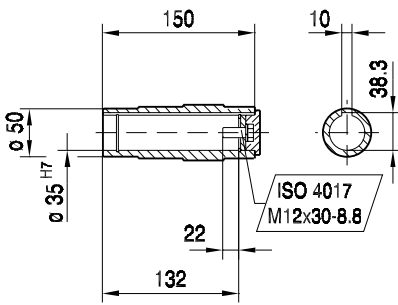
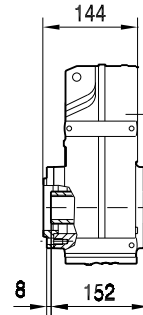
FAZ47 ..



FHZ47 ..



FVZ47 ..

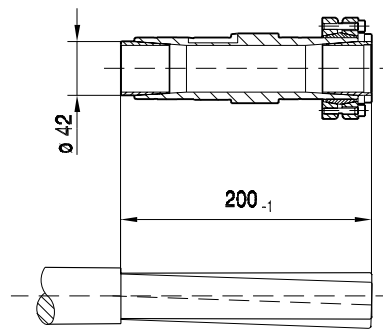
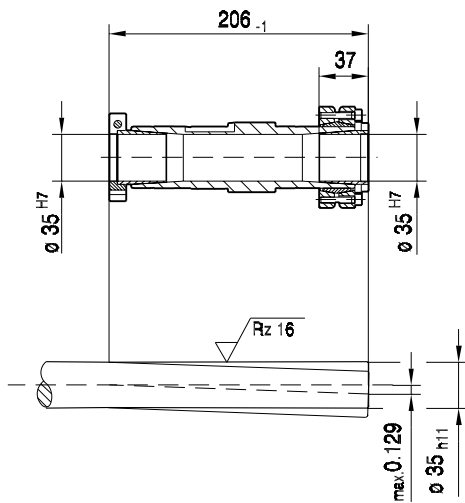
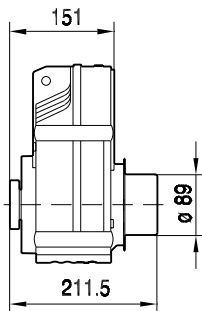
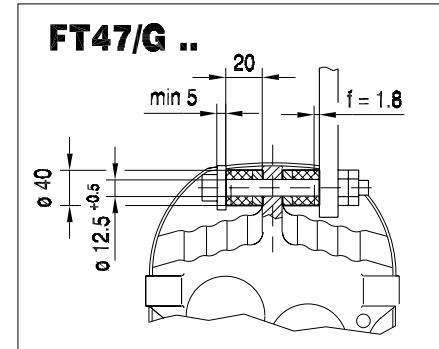
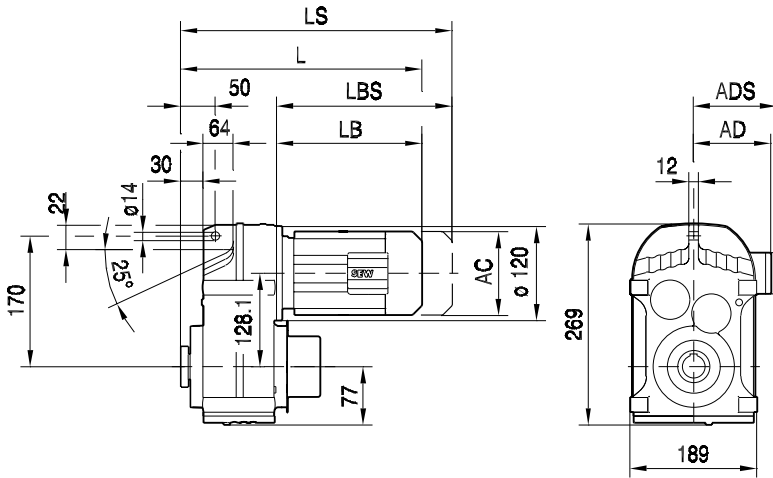


(→ 102)	DR63..	DT71D	DT80..	DT90..	DV100M	DV100L				
AC	132	145	145	197	197	197				
AD	105	122	122	154	166	166				
ADS	105	127	127	161	166	166				
L	335	350	400	420	472	502				
LS	390	413	463	505	557	587				
LB	191	206	256	276	328	358				
LBS	246	269	319	361	413	443				



42 024 00 03

FT47 ..



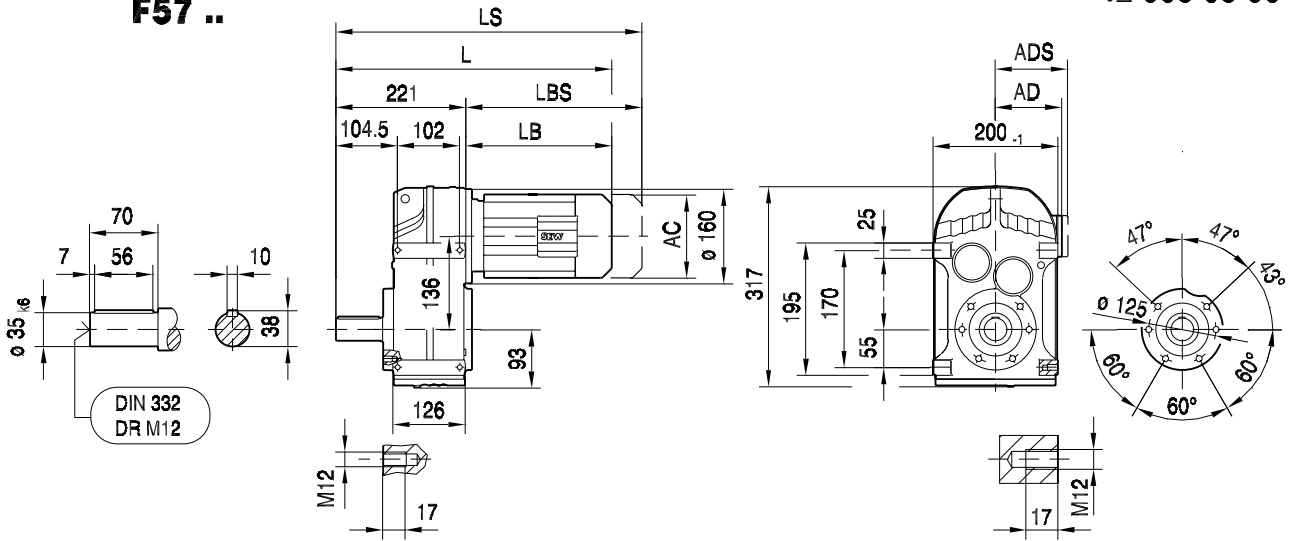
(→ 102)	DR63..	DT71D	DT80..							
AC	132	145	145							
AD	105	122	122							
ADS	105	127	127							
L	342	357	407							
LS	397	421	471							
LB	191	206	256							
LBS	246	269	319							



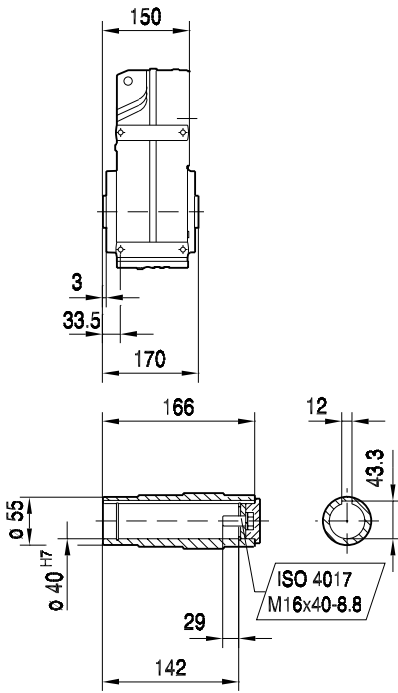
F..DR/DT/DV
F.. [mm]

42 003 03 00

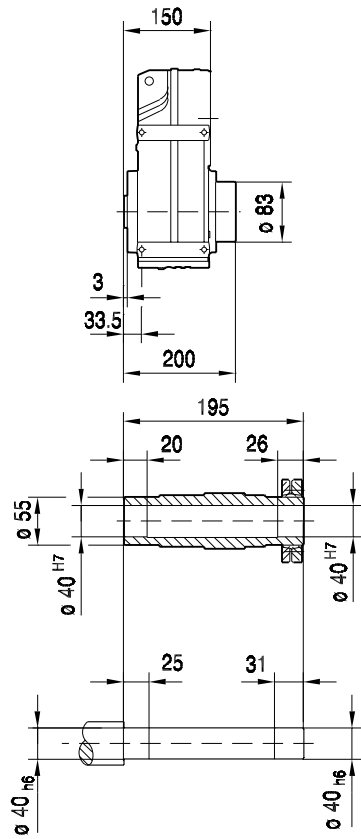
F57 ..



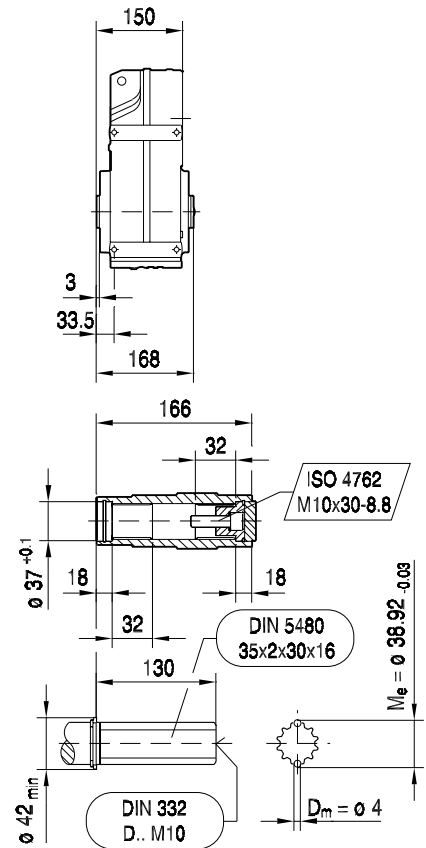
FA57B ..



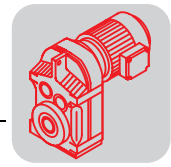
FH57B ..
max. DV132S



FV57B ..

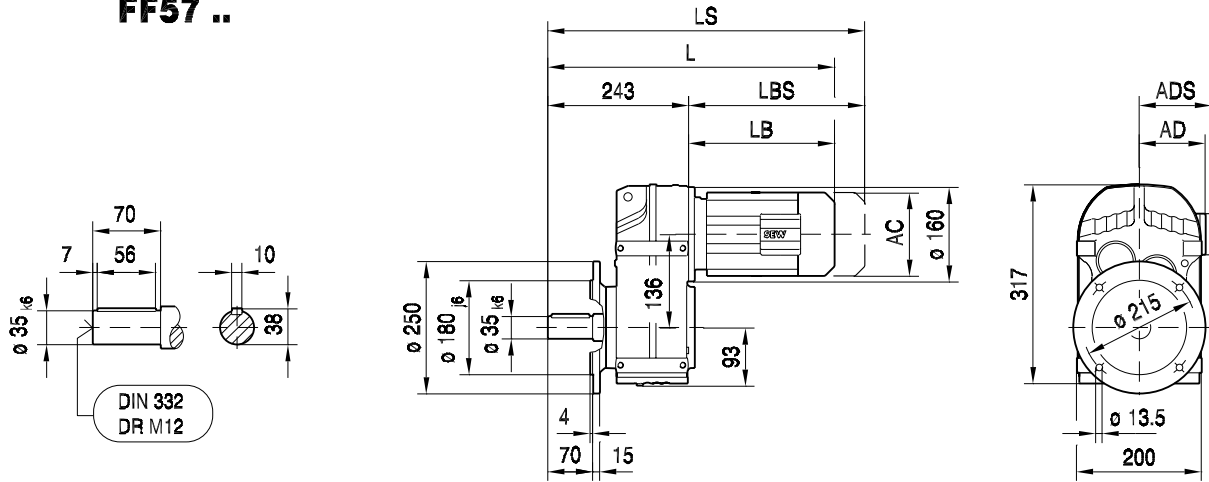


(→ 102)	DR63..	DT71D	DT80..	DT90..	DV100M	DV100L	DV112M	DV132S			
AC	132	145	145	197	197	197	221	221			
AD	105	122	122	154	166	166	179	179			
ADS	105	127	127	161	166	166	182	182			
L	406	420	470	490	540	570	575	623			
LS	461	484	534	575	625	655	655	703			
LB	185	199	249	269	319	349	354	402			
LBS	240	263	313	354	404	434	434	482			

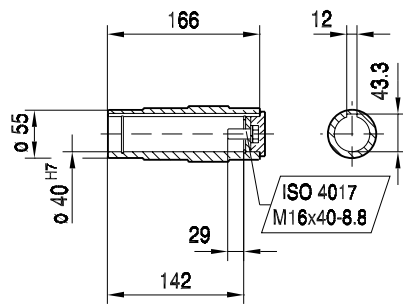
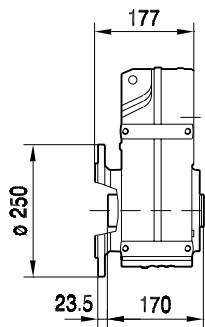


42 013 03 00

FF57 ..

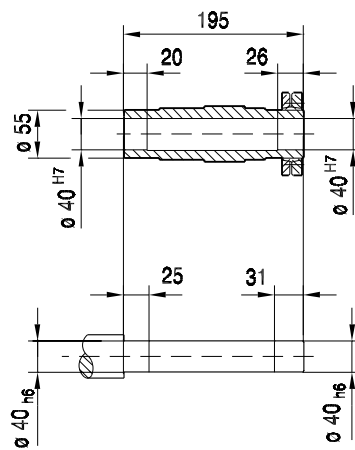
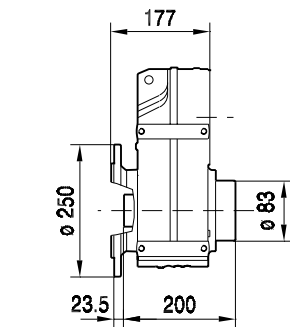


FAF57 ..

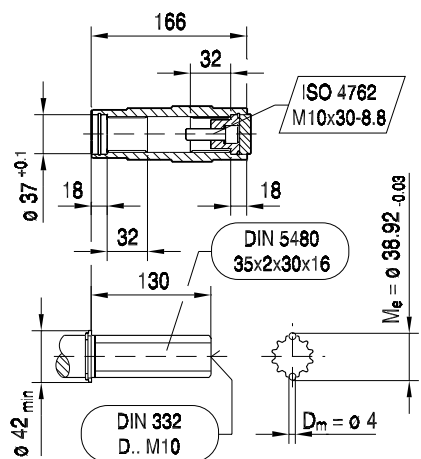
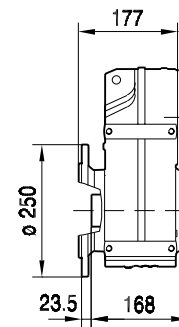


FHF57 ..

max. DV132S



FVF57 ..



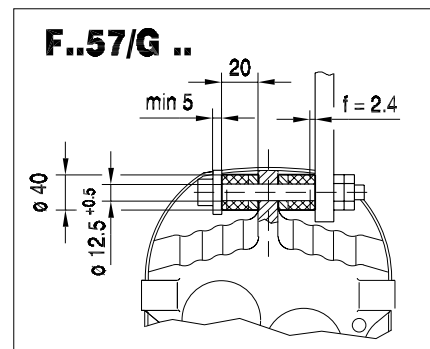
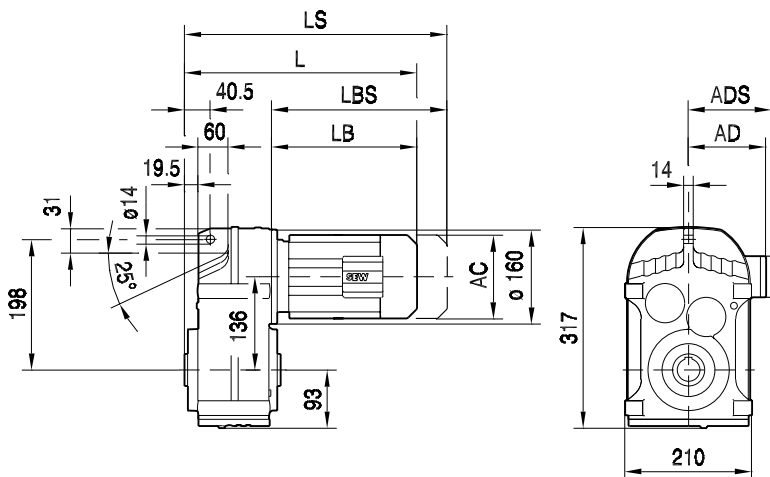
(→ 102)	DR63..	DT71D	DT80..	DT90..	DV100M	DV100L	DV112M	DV132S			
AC	132	145	145	197	197	197	221	221			
AD	105	122	122	154	166	166	179	179			
ADS	105	127	127	161	166	166	182	182			
L	428	442	492	512	562	592	597	645			
LS	483	506	556	597	647	677	677	725			
LB	185	199	249	269	319	349	354	402			
LBS	240	263	313	354	404	434	434	482			



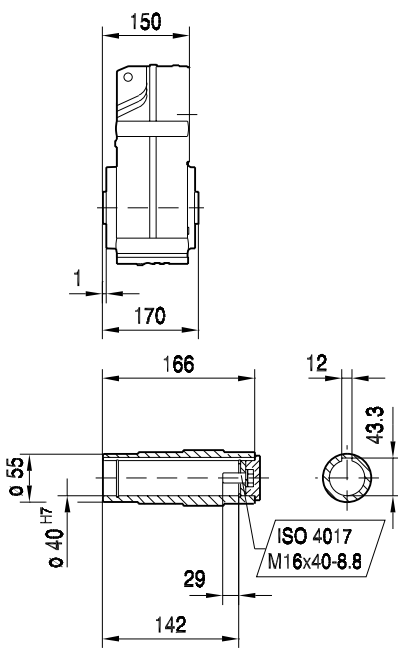
F..DR/DT/DV
F.. [mm]

42 023 03 00

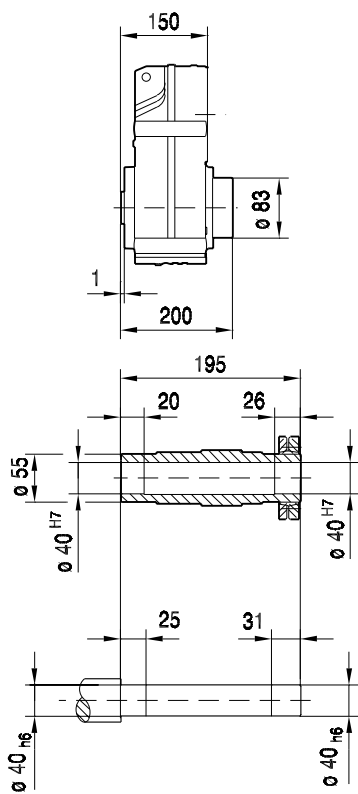
FA57 ..



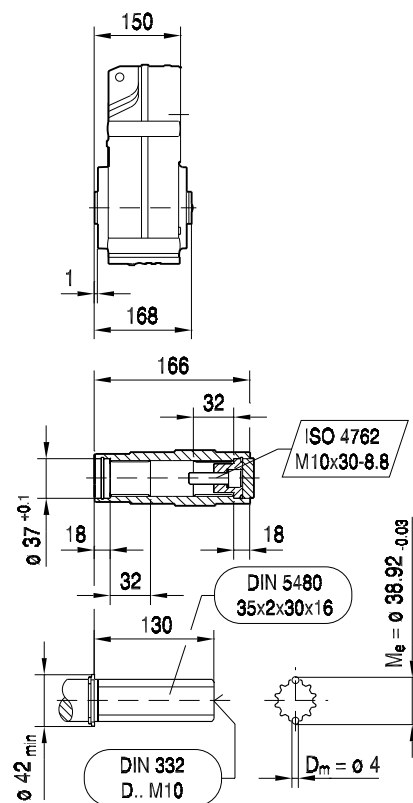
FA57 ..



FH57 ..
max. DV132S



FV57 ..

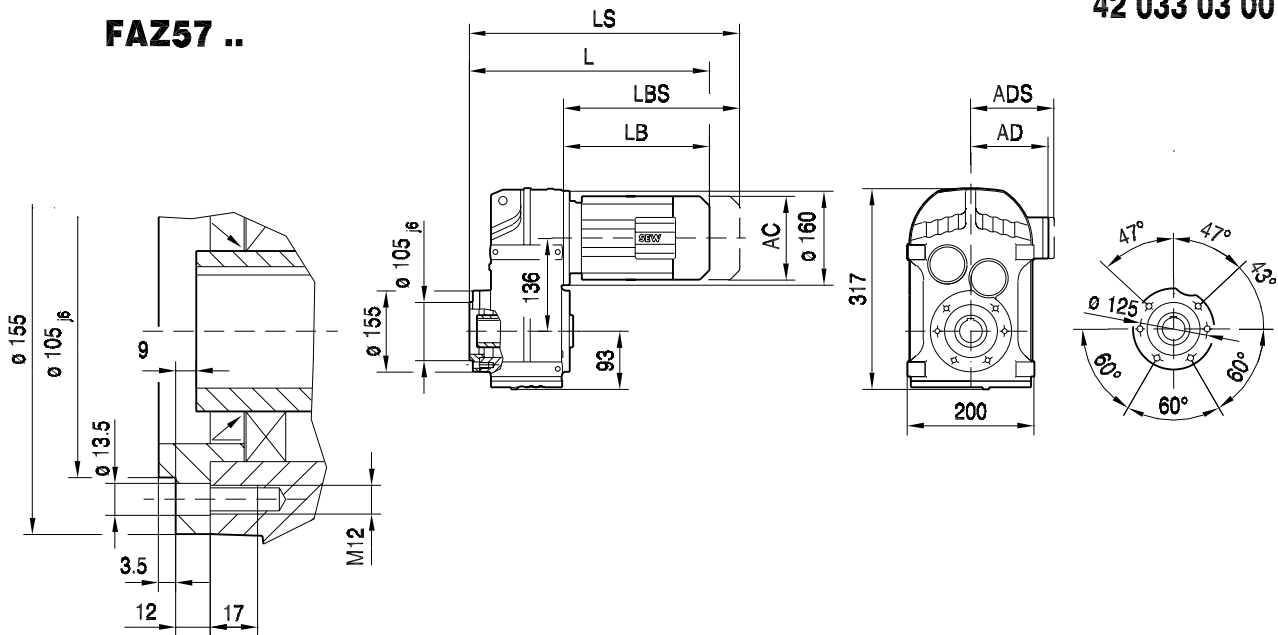


(→ 102)	DR63..	DT71D	DT80..	DT90..	DV100M	DV100L	DV112M	DV132S			
AC	132	145	145	197	197	197	221	221			
AD	105	122	122	154	166	166	179	179			
ADS	105	127	127	161	166	166	182	182			
L	335	349	399	419	469	499	504	552			
LS	390	413	463	504	554	584	584	632			
LB	185	199	249	269	319	349	354	402			
LBS	240	263	313	354	404	434	434	482			

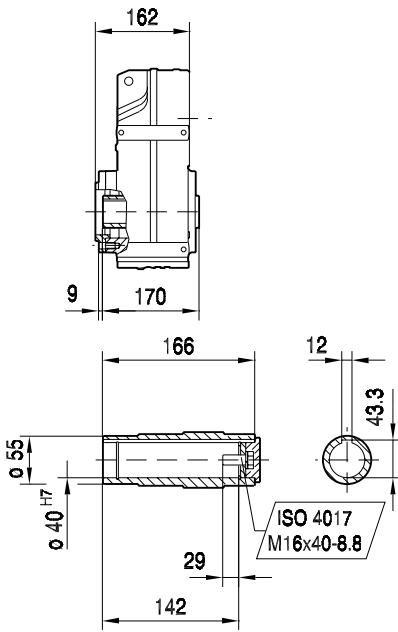


42 033 03 00

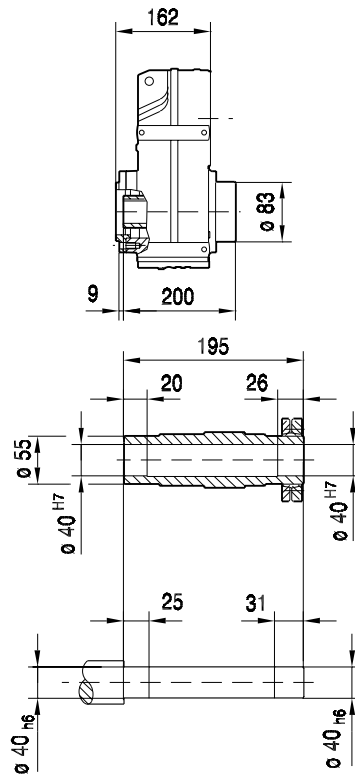
FAZ57 ..



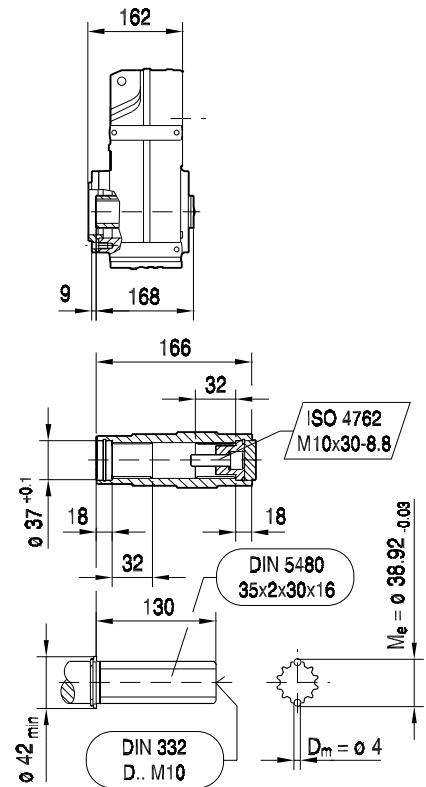
FAZ57 ..



FHZ57 ..
max. DV132S



FVZ57 ..



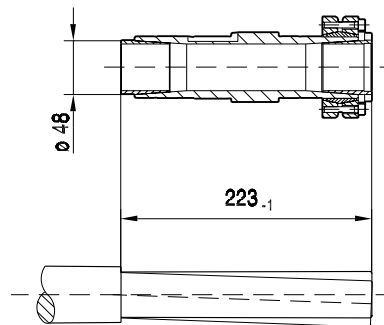
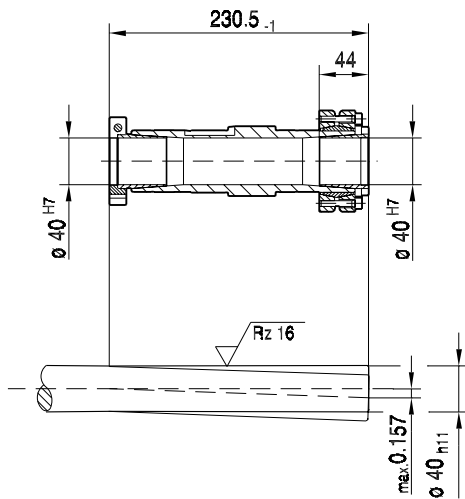
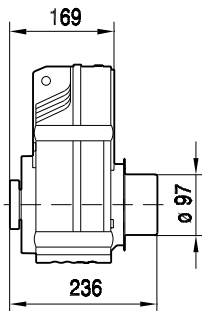
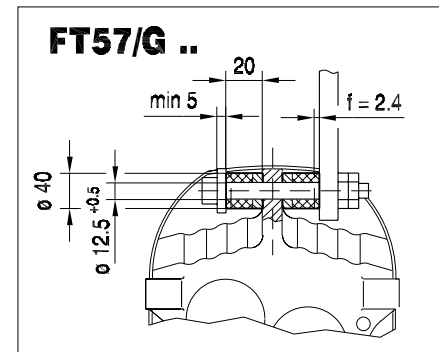
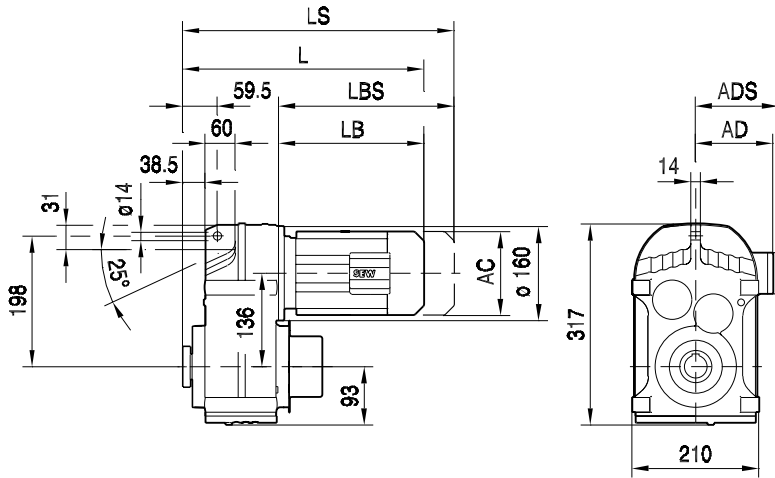
(→ 102)	DR63..	DT71D	DT80..	DT90..	DV100M	DV100L	DV112M	DV132S			
AC	132	145	145	197	197	197	221	221			
AD	105	122	122	154	166	166	179	179			
ADS	105	127	127	161	166	166	182	182			
L	347	361	411	431	481	511	516	564			
LS	402	425	475	516	566	596	596	644			
LB	185	199	249	269	319	349	354	402			
LBS	240	263	313	354	404	434	434	482			



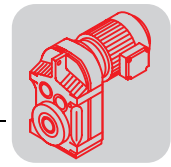
F..DR/DT/DV
F.. [mm]

42 025 00 03

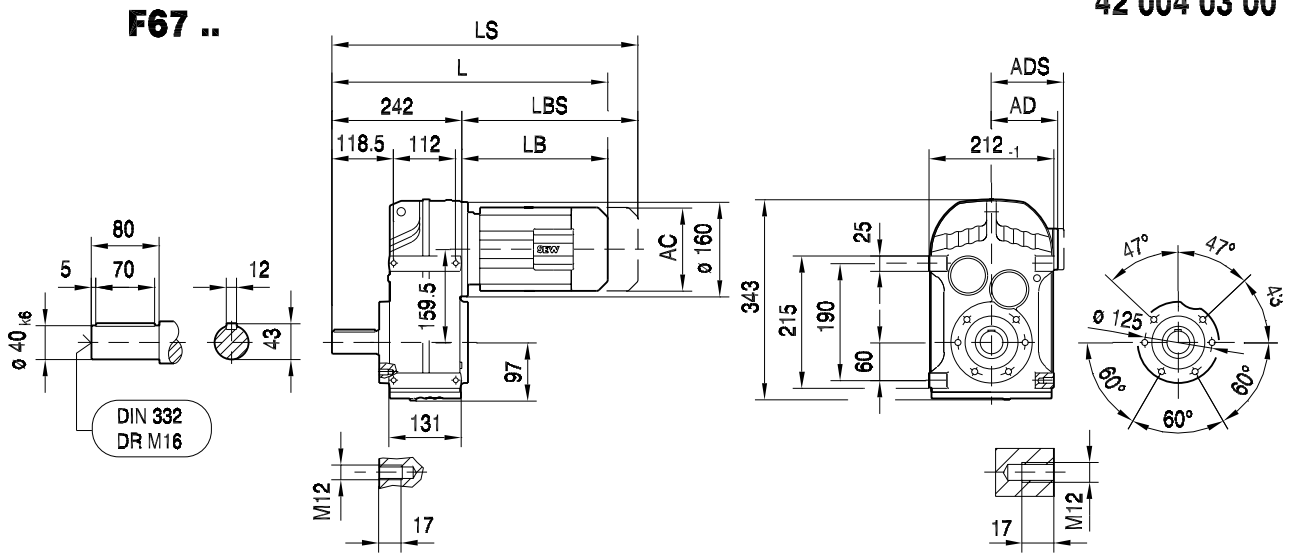
FT57 ..



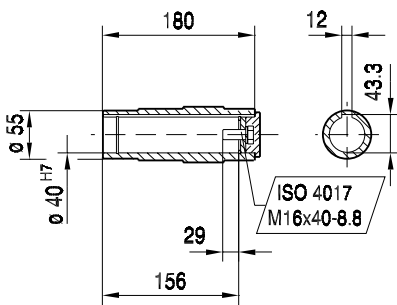
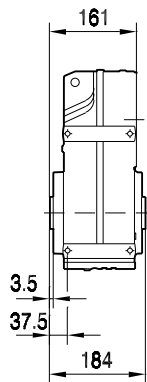
(→ 102)	DR63..	DT71D	DT80..							
AC	132	145	145							
AD	105	122	122							
ADS	105	127	127							
L	354	368	418							
LS	409	432	482							
LB	185	199	249							
LBS	240	263	313							



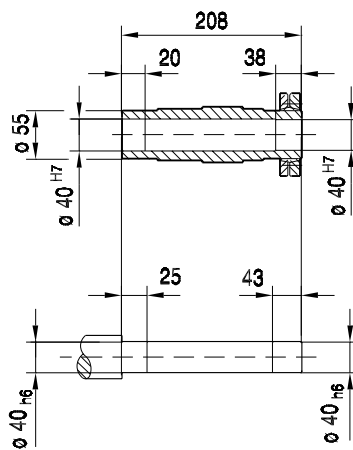
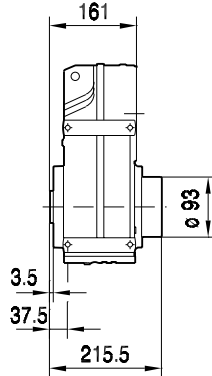
42 004 03 00



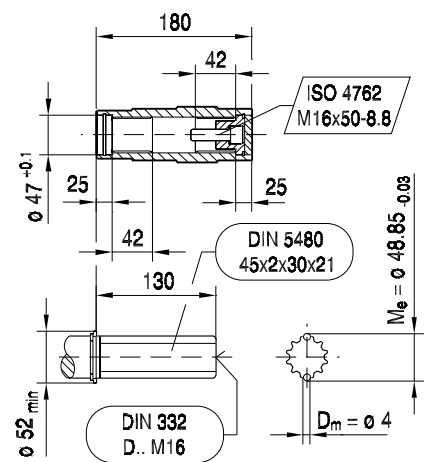
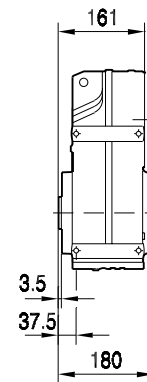
FA67B ..



FH67B ..
max. DV132S



FV67B ..

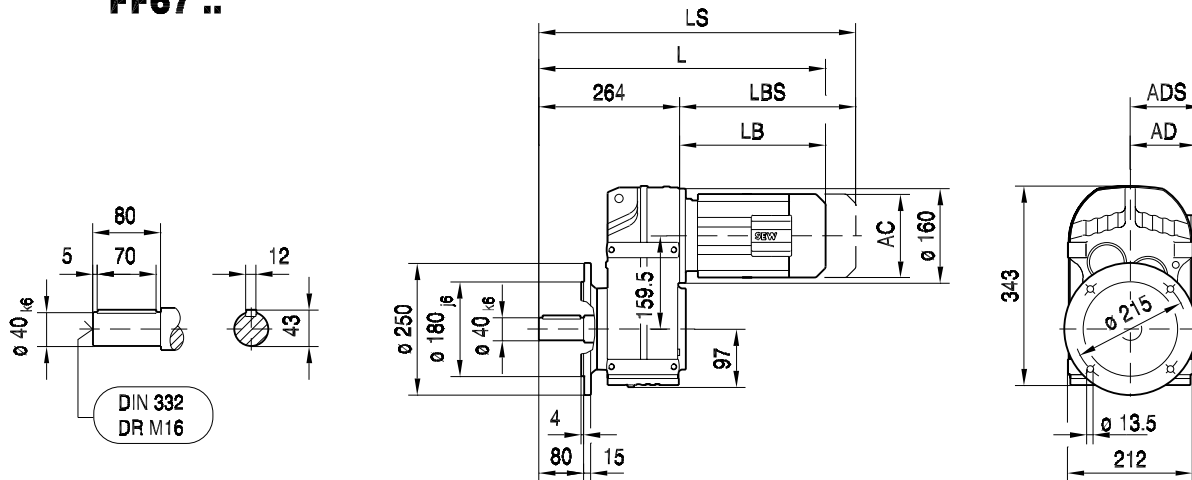


(→ 102)	DR63..	DT71D	DT80..	DT90..	DV100M	DV100L	DV112M	DV132S			
AC	132	145	145	197	197	197	221	221			
AD	105	122	122	154	166	166	179	179			
ADS	105	127	127	161	166	166	182	182			
L	427	441	491	511	561	591	596	644			
LS	482	505	555	596	646	676	676	724			
LB	185	199	249	269	319	349	354	402			
LBS	240	263	313	354	404	434	434	482			

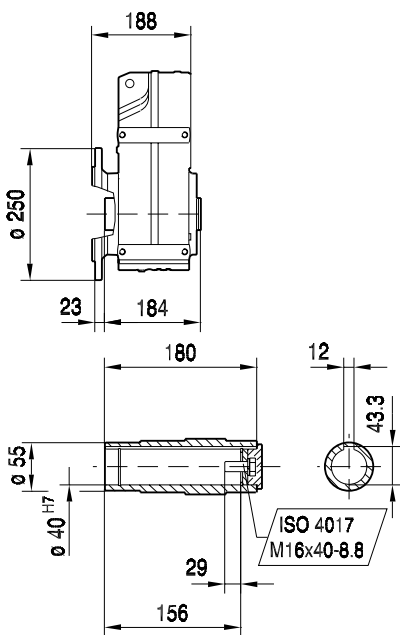


42 014 03 00

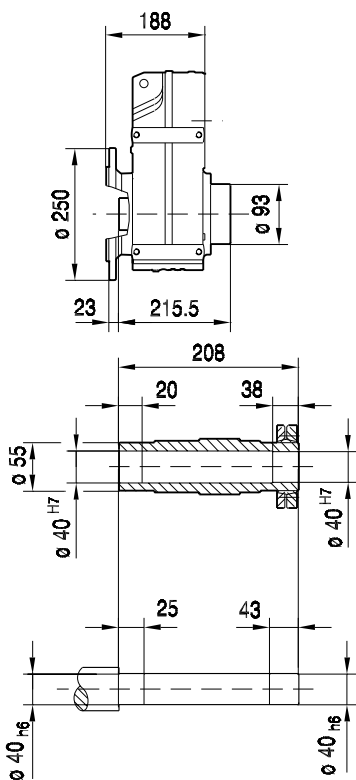
FF67 ..



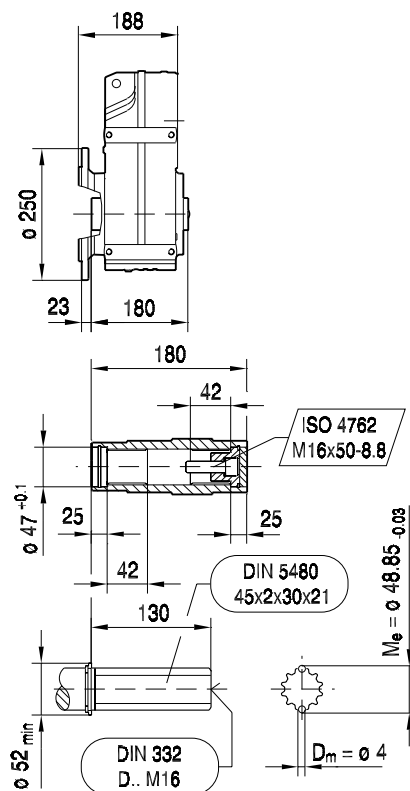
FAF67 ..



FHF67 ..
max. DV132S



FVF67 ..

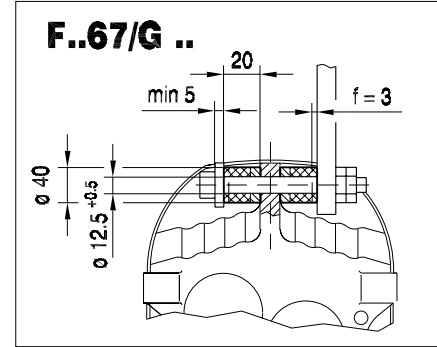
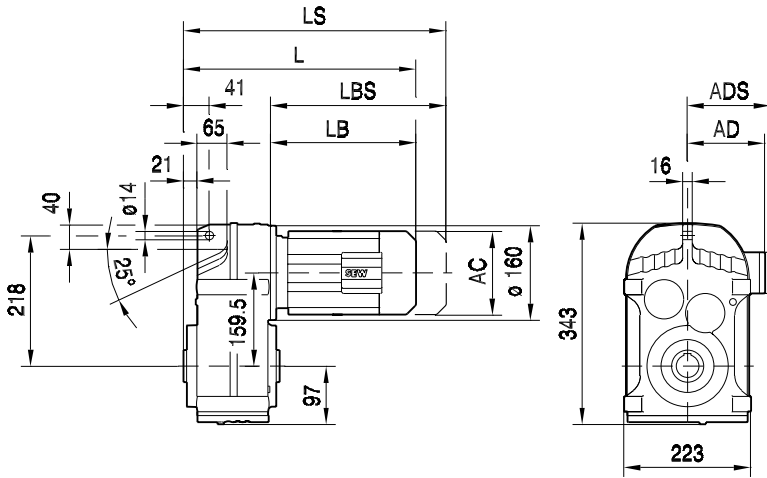


(→ 102)	DR63..	DT71D	DT80..	DT90..	DV100M	DV100L	DV112M	DV132S			
AC	132	145	145	197	197	197	221	221			
AD	105	122	122	154	166	166	179	179			
ADS	105	127	127	161	166	166	182	182			
L	449	463	513	533	583	613	618	666			
LS	504	527	577	618	668	698	698	746			
LB	185	199	249	269	319	349	354	402			
LBS	240	263	313	354	404	434	434	482			



FA67 ..

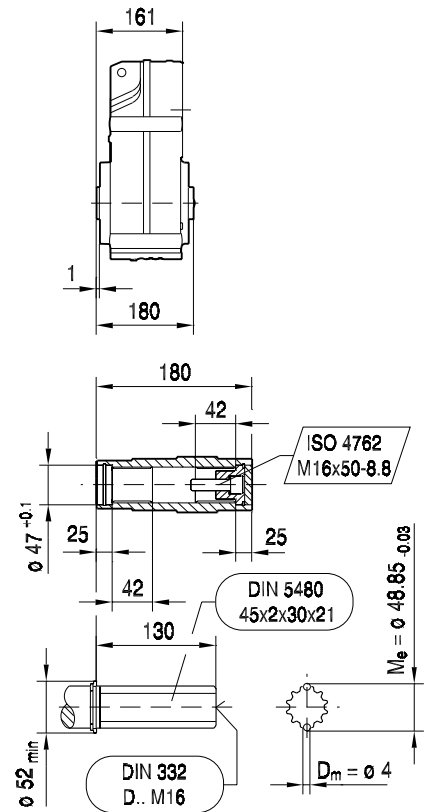
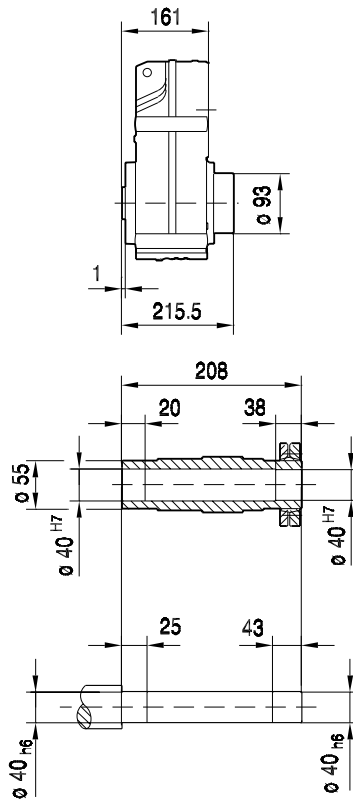
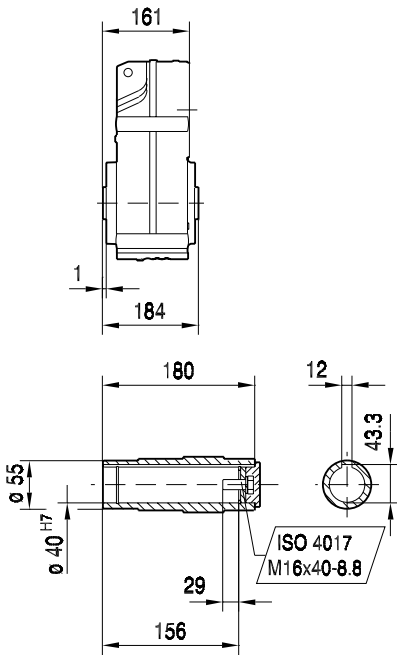
42 024 03 00



FA67 ..

FH67 ..
max. DV132S

FV67 ..

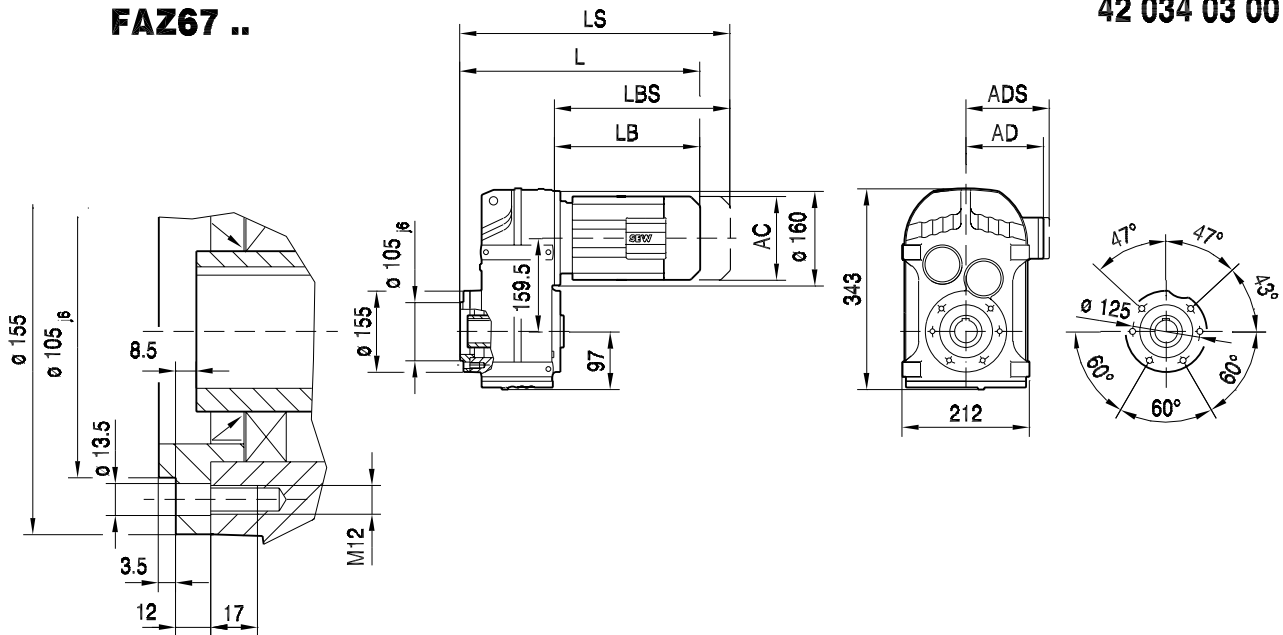


(→ 102)	DR63..	DT71D	DT80..	DT90..	DV100M	DV100L	DV112M	DV132S			
AC	132	145	145	197	197	197	221	221			
AD	105	122	122	154	166	166	179	179			
ADS	105	127	127	161	166	166	182	182			
L	346	360	410	430	480	510	515	563			
LS	401	424	474	515	565	595	595	643			
LB	185	199	249	269	319	349	354	402			
LBS	240	263	313	354	404	434	434	482			

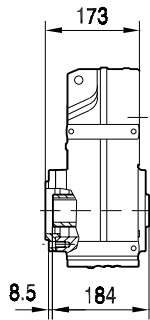


42 034 03 00

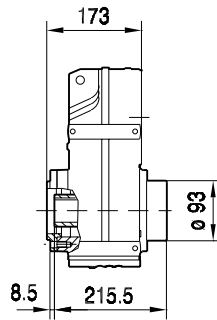
FAZ67 ..



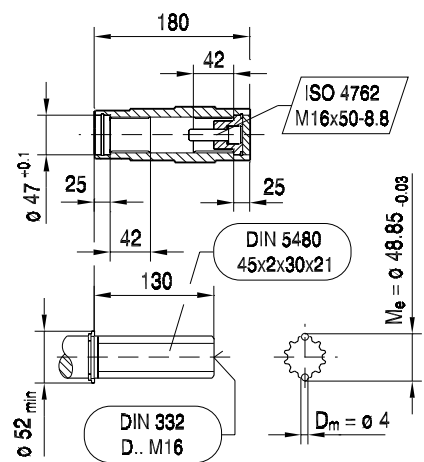
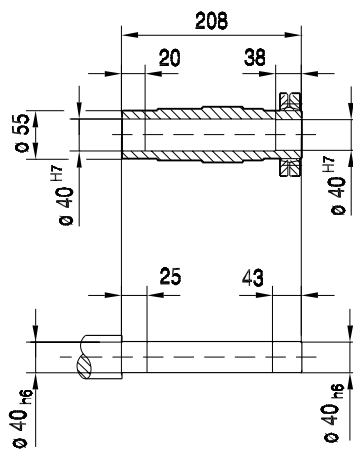
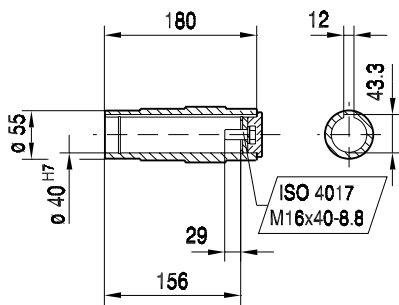
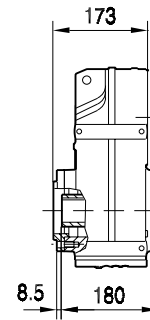
FAZ67 ..



FHZ67 ..
max. DV132S



FVZ67 ..

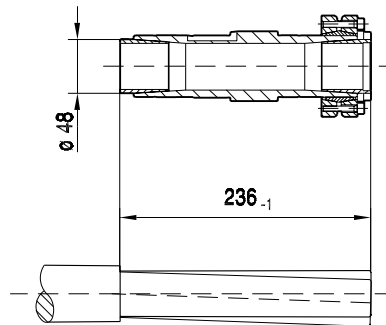
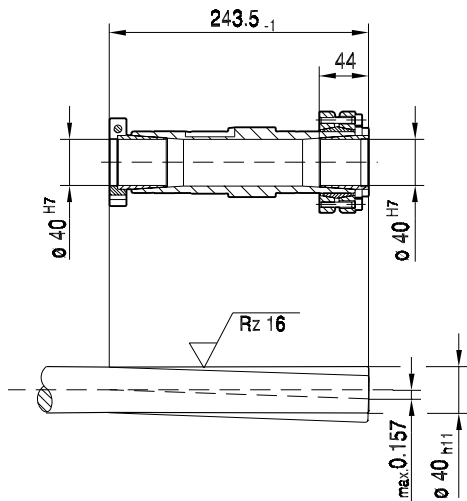
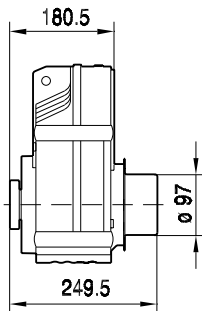
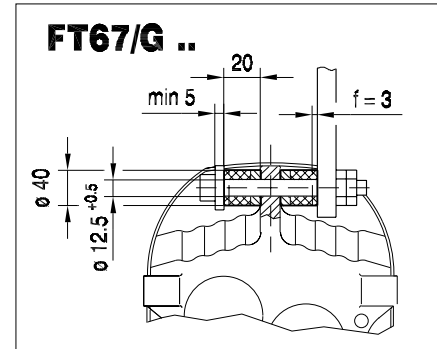
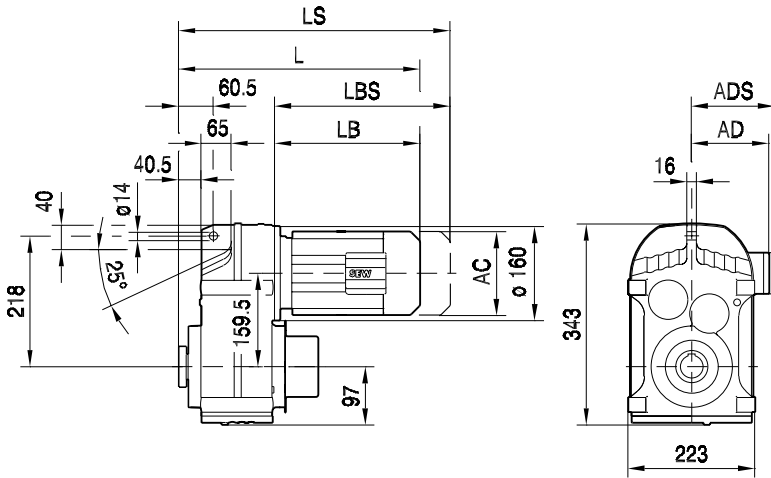


(→ 102)	DR63..	DT71D	DT80..	DT90..	DV100M	DV100L	DV112M	DV132S			
AC	132	145	145	197	197	197	221	221			
AD	105	122	122	154	166	166	179	179			
ADS	105	127	127	161	166	166	182	182			
L	358	372	422	442	492	522	527	575			
LS	413	436	486	527	577	607	607	655			
LB	185	199	249	269	319	349	354	402			
LBS	240	263	313	354	404	434	434	482			

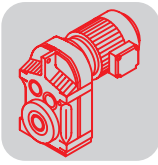


42 026 00 03

FT67 ..



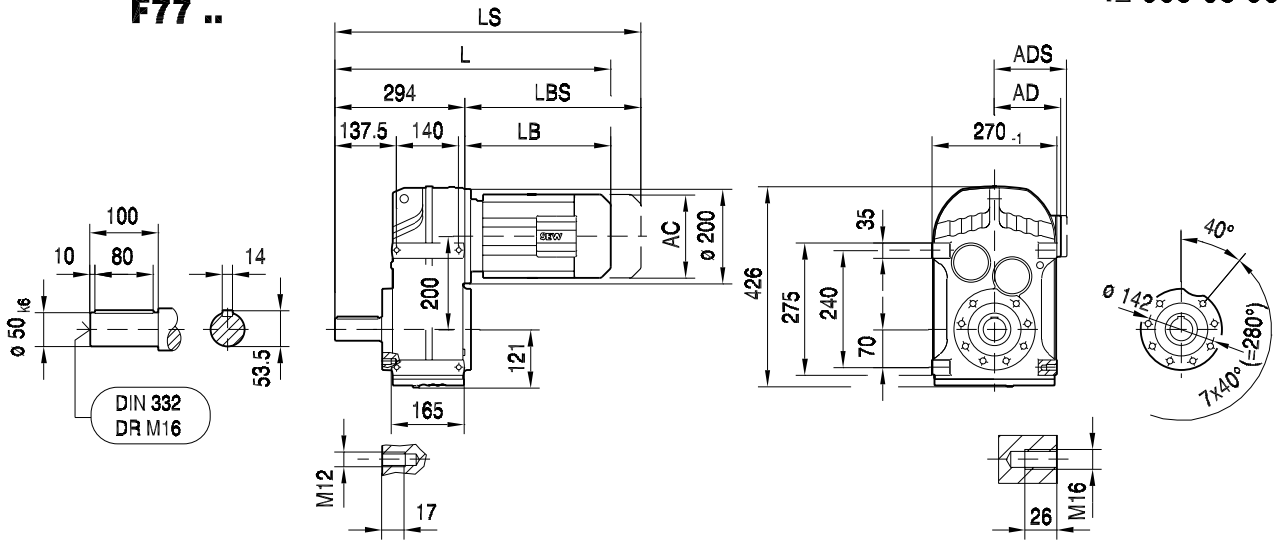
(→ 102)	DR63..	DT71D	DT80..	DT90..	DV100M	DV100L	DV112M	DV132S			
AC	132	145	145	197	197	197	221	221			
AD	105	122	122	154	166	166	179	179			
ADS	105	127	127	161	166	166	182	182			
L	366	380	430	450	500	530	535	583			
LS	421	444	494	535	585	615	615	663			
LB	185	199	249	269	319	349	354	402			
LBS	240	263	313	354	404	434	434	482			



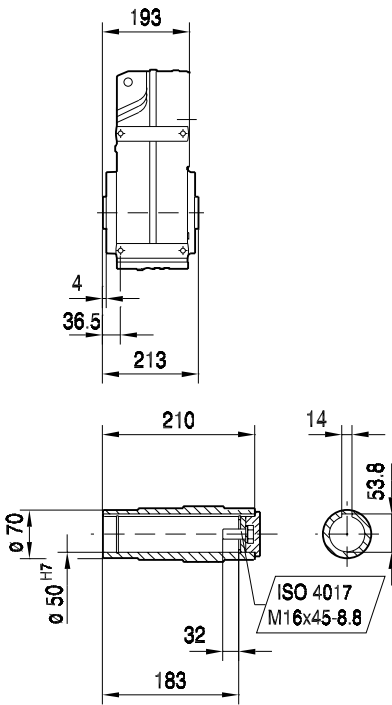
F..DR/DT/DV
F.. [mm]

42 005 03 00

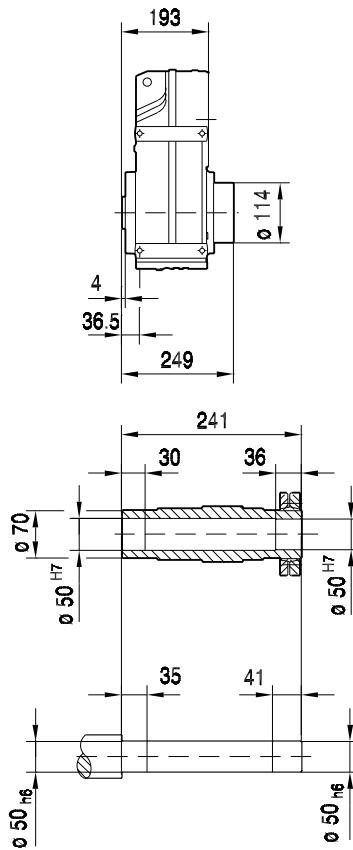
F77 ..



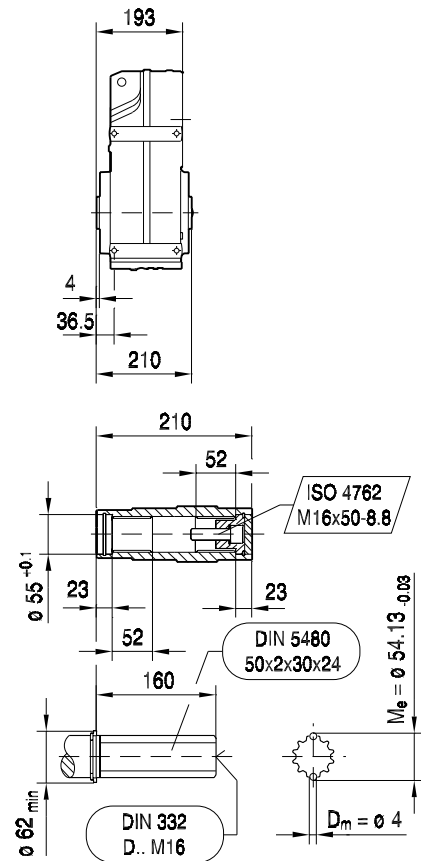
FA77B ..



FH77B ..



FV77B ..

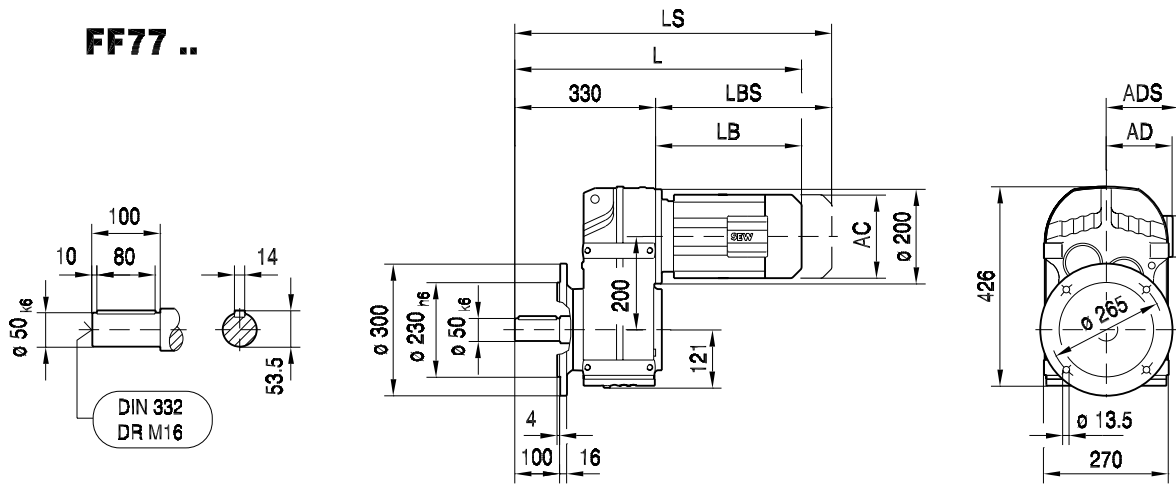


(→ 102)	DR63..	DT71D	DT80..	DT90..	DV100M	DV100L	DV112M	DV132S	DV132M	DV132ML	DV160M
AC	132	145	145	197	197	197	221	221	275	275	275
AD	105	122	122	154	166	166	179	179	230	230	230
ADS	105	127	127	161	166	166	182	182	230	230	230
L	473	487	537	555	605	635	639	684	706	766	766
LS	528	551	601	640	690	720	719	764	818	878	878
LB	179	193	243	261	311	341	345	390	412	472	472
LBS	234	257	307	346	396	426	425	470	524	584	584

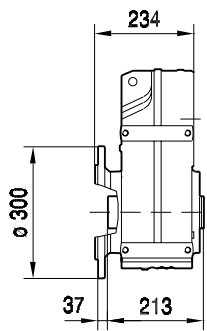


42 015 02 00

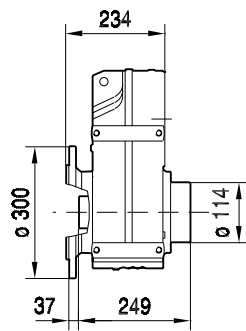
FF77 ..



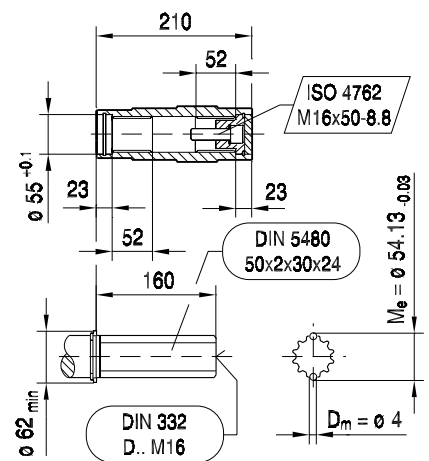
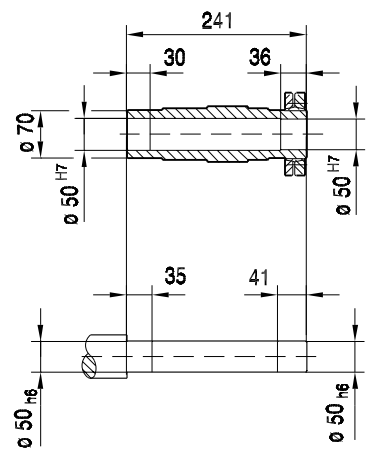
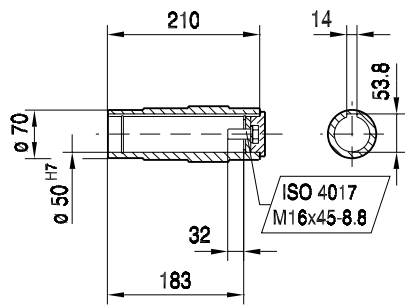
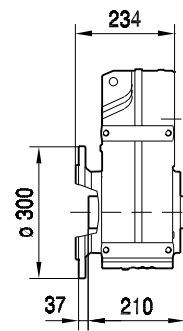
FAF77 ..



FHF77 ..



FVF77 ..



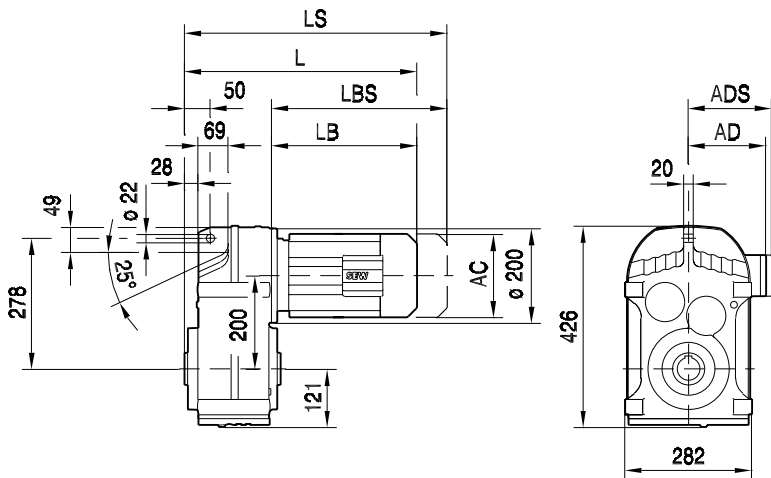
(→ 102)	DR63..	DT71D	DT80..	DT90..	DV100M	DV100L	DV112M	DV132S	DV132M	DV132ML	DV160M
AC	132	145	145	197	197	197	221	221	275	275	275
AD	105	122	122	154	166	166	179	179	230	230	230
ADS	105	127	127	161	166	166	182	182	230	230	230
L	509	523	573	591	641	671	675	720	742	802	802
LS	564	587	637	676	726	756	755	800	854	914	914
LB	179	193	243	261	311	341	345	390	412	472	472
LBS	234	257	307	346	396	426	425	470	524	584	584



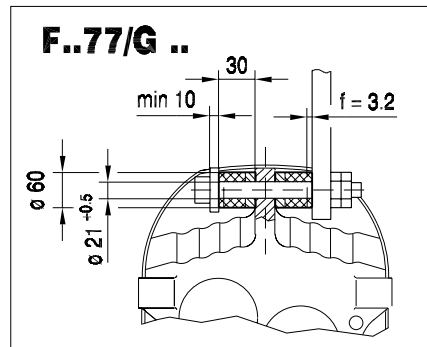
F..DR/DT/DV
F.. [mm]

42 025 03 00

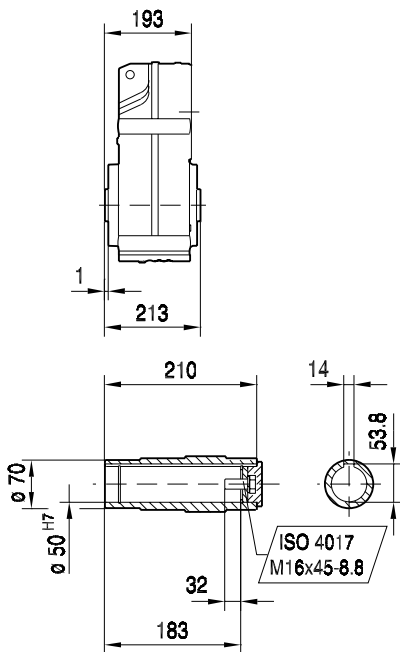
FA77 ..



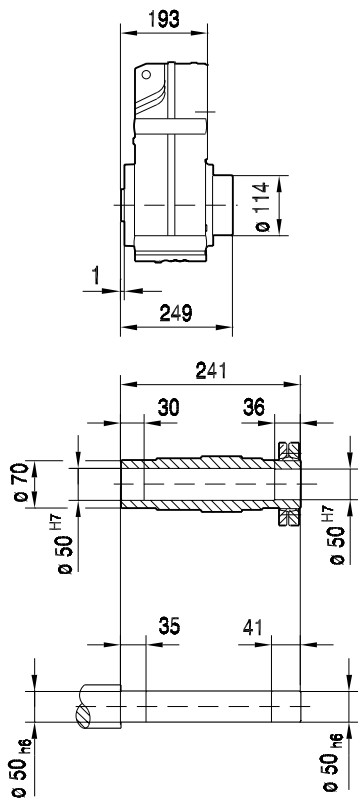
F..77/G ..



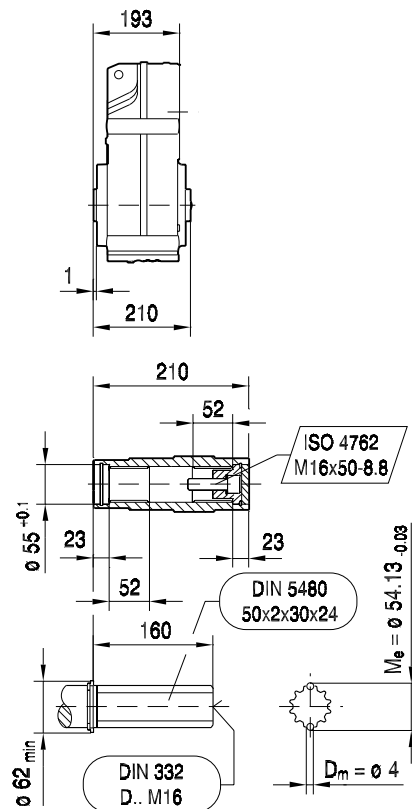
FA77 ..



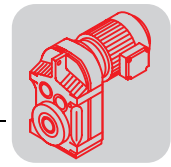
FH77 ..



FV77 ..

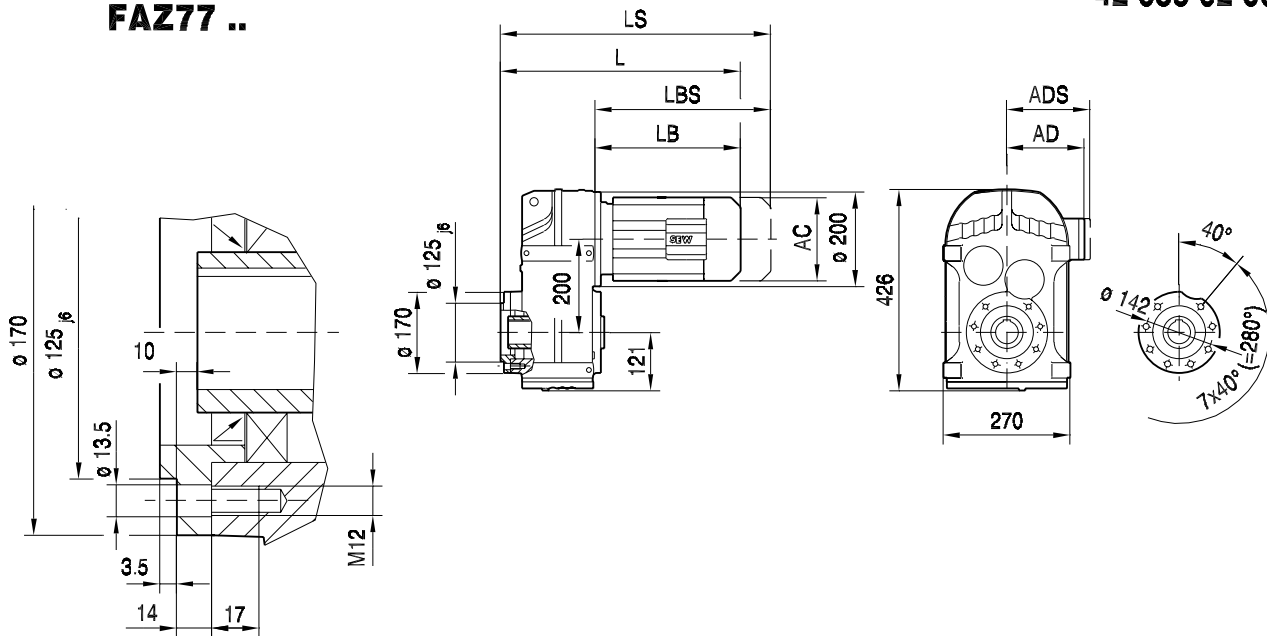


(→ 102)	DR63..	DT71D	DT80..	DT90..	DV100M	DV100L	DV112M	DV132S	DV132M	DV132ML	DV160M
AC	132	145	145	197	197	197	221	221	275	275	275
AD	105	122	122	154	166	166	179	179	230	230	230
ADS	105	127	127	161	166	166	182	182	230	230	230
L	372	386	436	454	504	534	538	583	605	665	665
LS	427	450	500	539	589	619	618	663	717	777	777
LB	179	193	243	261	311	341	345	390	412	472	472
LBS	234	257	307	346	396	426	425	470	524	584	584

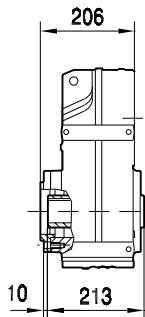


42 035 02 00

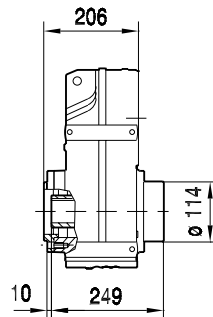
FAZ77 ..



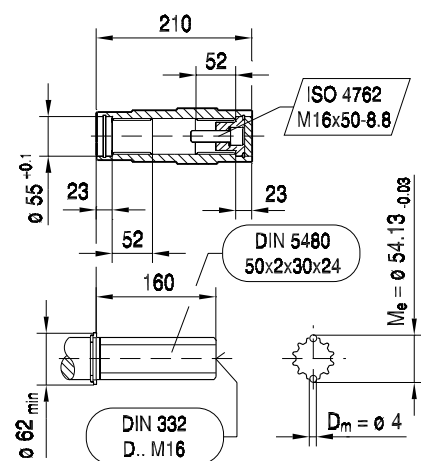
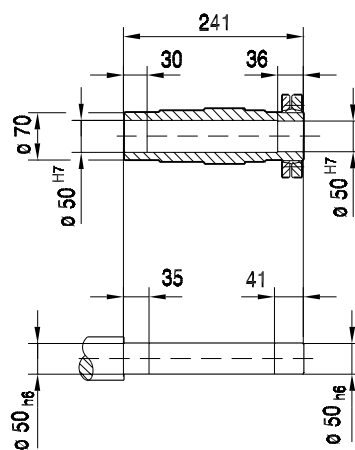
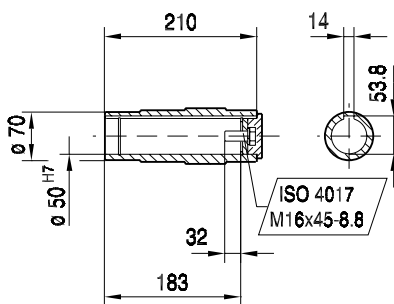
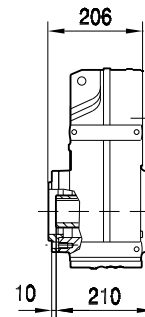
FAZ77 ..



FHZ77 ..



FVZ77 ..



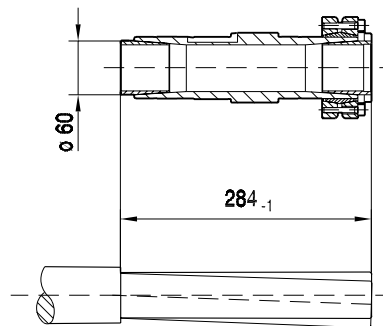
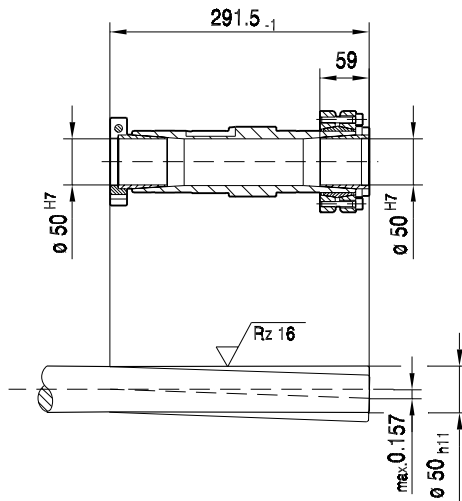
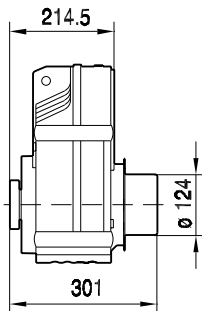
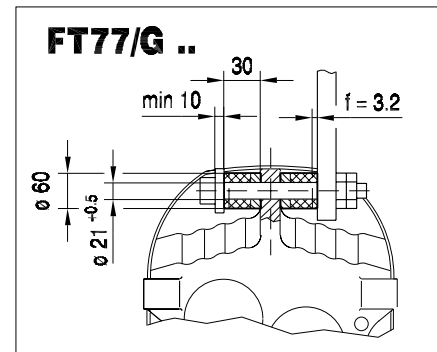
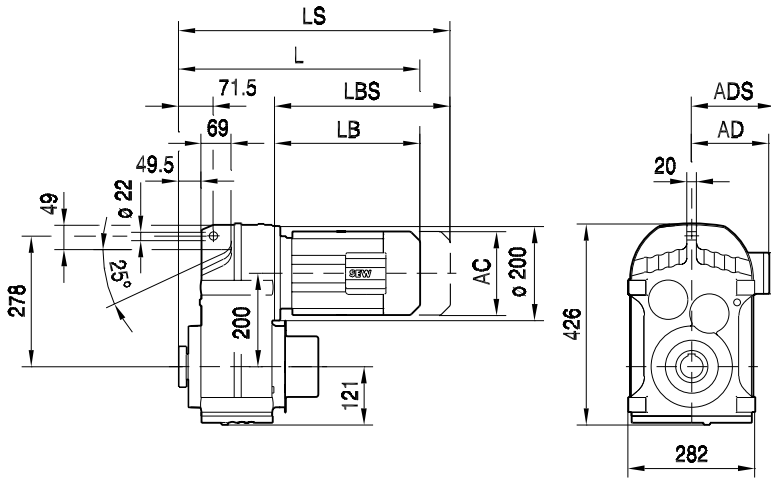
(→ 102)	DR63..	DT71D	DT80..	DT90..	DV100M	DV100L	DV112M	DV132S	DV132M	DV132ML	DV160M
AC	132	145	145	197	197	197	221	221	275	275	275
AD	105	122	122	154	166	166	179	179	230	230	230
ADS	105	127	127	161	166	166	182	182	230	230	230
L	385	399	449	467	517	547	551	596	618	678	678
LS	440	463	513	552	602	632	631	676	730	790	790
LB	179	193	243	261	311	341	345	390	412	472	472
LBS	234	257	307	346	396	426	425	470	524	584	584



F..DR/DT/DV
F.. [mm]

42 027 00 03

FT77 ..

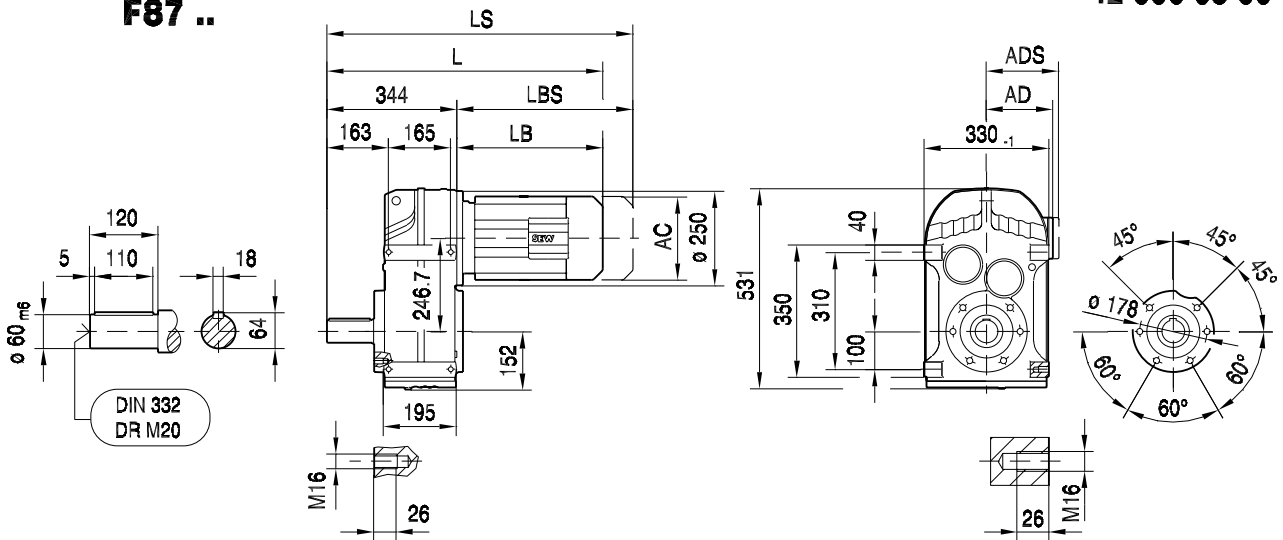


(→ 102)	DR63..	DT71D	DT80..	DT90..	DV100M	DV100L	DV112M	DV132S	DV132M	DV132ML	DV160M
AC	132	145	145	197	197	197	221	221	275	275	275
AD	105	122	122	154	166	166	179	179	230	230	230
ADS	105	127	127	161	166	166	182	182	230	230	230
L	394	408	458	476	526	556	560	605	627	687	687
LS	449	472	522	561	611	641	640	685	739	799	799
LB	179	193	243	261	311	341	345	390	412	472	472
LBS	234	257	307	346	396	426	425	470	524	584	584

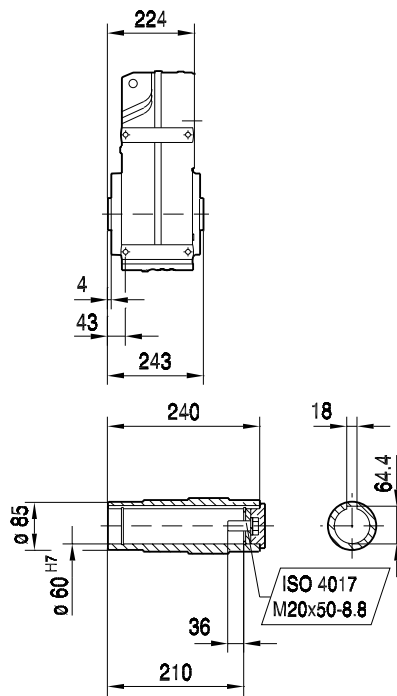


42 006 03 00

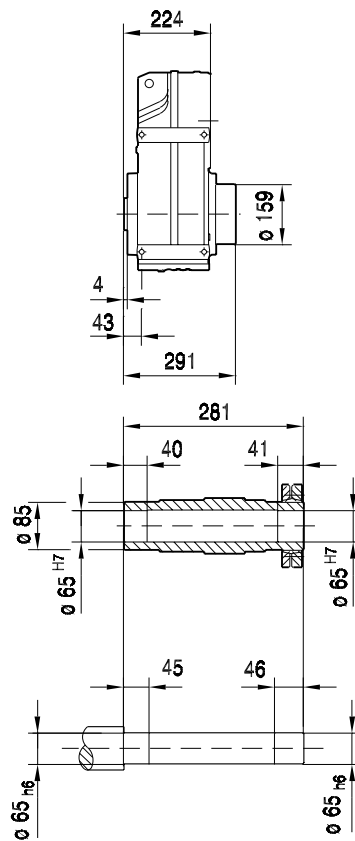
F87 ..



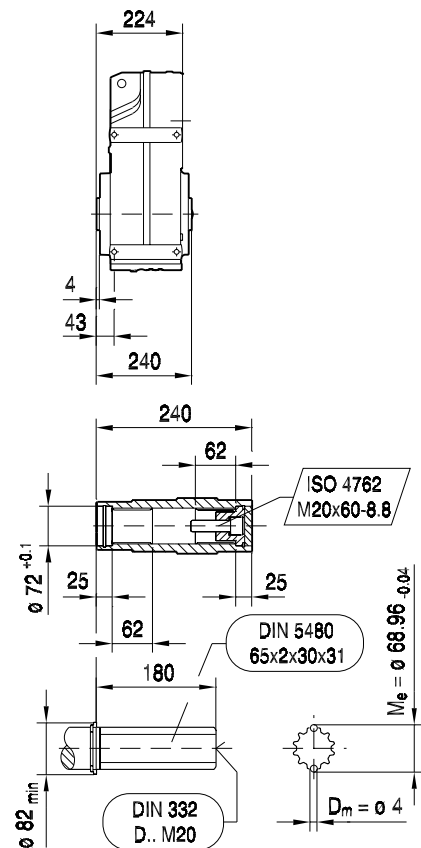
FA87B ..



FH87B ..



FV87B ..



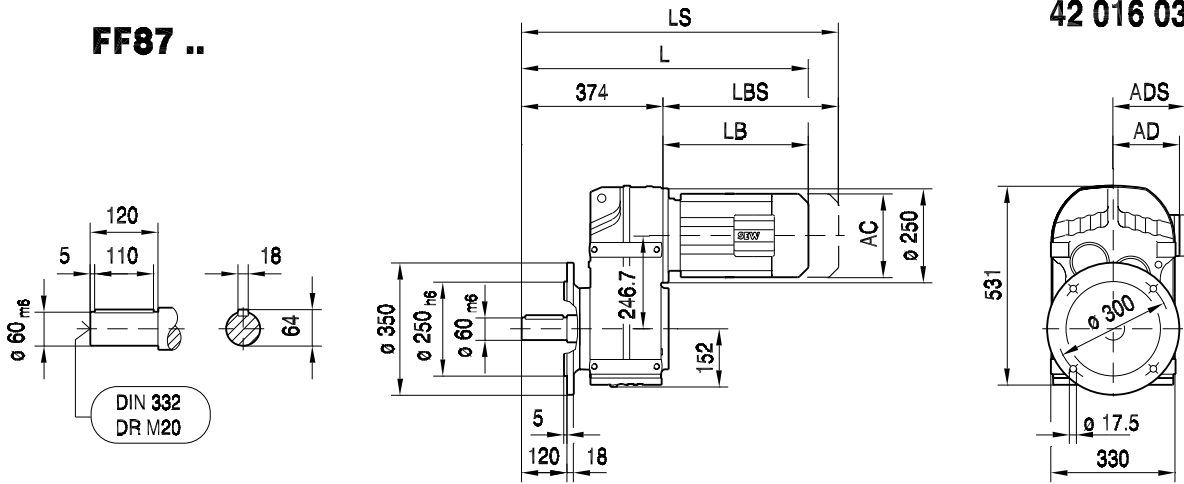
(→ 102)	DT80..	DT90..	DV100M	DV100L	DV112M	DV132S	DV132M	DV132ML	DV160M	DV160L	DV180..
AC	145	197	197	197	221	221	275	275	275	331	331
AD	122	154	166	166	179	179	230	230	230	258	258
ADS	127	161	166	166	182	182	230	230	230	258	258
L	582	601	651	681	684	729	751	811	811	858	930
LS	646	686	736	766	764	809	863	923	923	1014	1086
LB	238	257	307	337	340	385	407	467	467	514	586
LBS	302	342	392	422	420	465	519	579	579	670	742



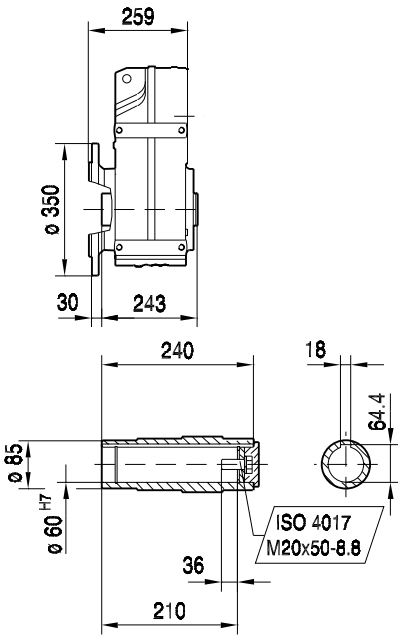
F..DR/DT/DV
F.. [mm]

42 016 03 00

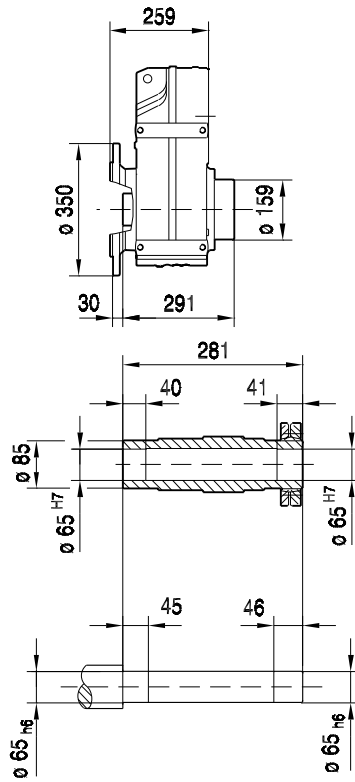
FF87 ..



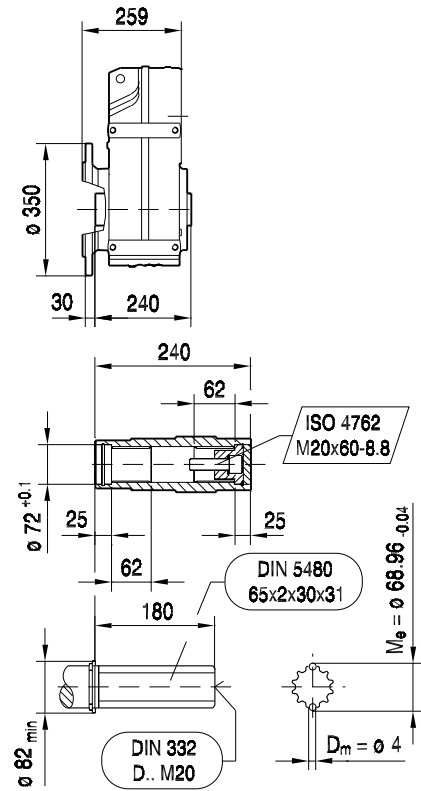
FAF87 ..



FHF87 ..



FVF87 ..

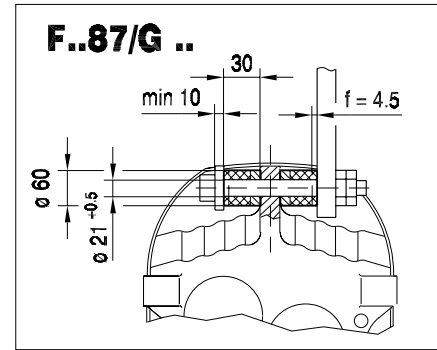
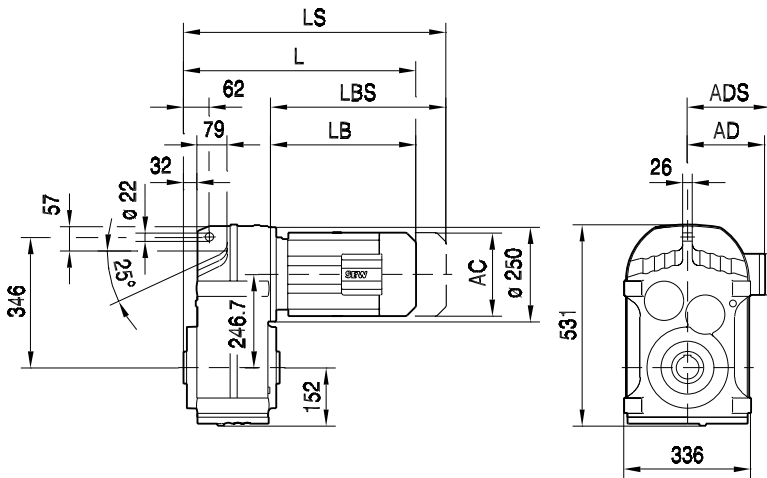


(→ 102)	DT80..	DT90..	DV100M	DV100L	DV112M	DV132S	DV132M	DV132ML	DV160M	DV160L	DV180..
AC	145	197	197	197	221	221	275	275	275	331	331
AD	122	154	166	166	179	179	230	230	230	258	258
ADS	127	161	166	166	182	182	230	230	230	258	258
L	612	631	681	711	714	759	781	841	841	888	960
LS	676	716	766	796	794	839	893	953	953	1044	1116
LB	238	257	307	337	340	385	407	467	467	514	586
LBS	302	342	392	422	420	465	519	579	579	670	742



FA87 ..

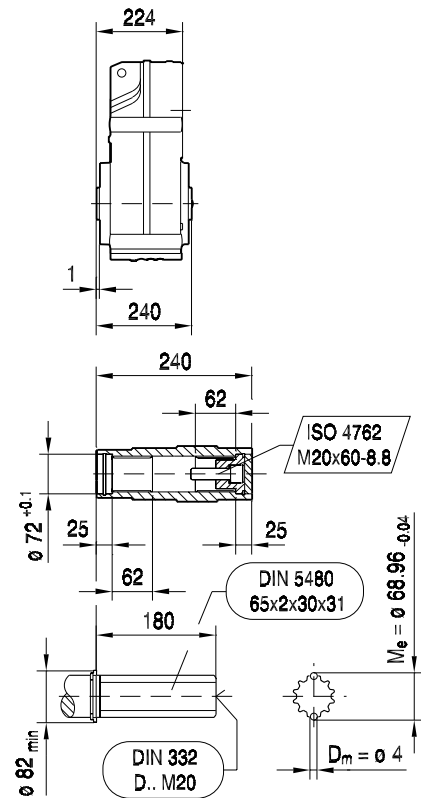
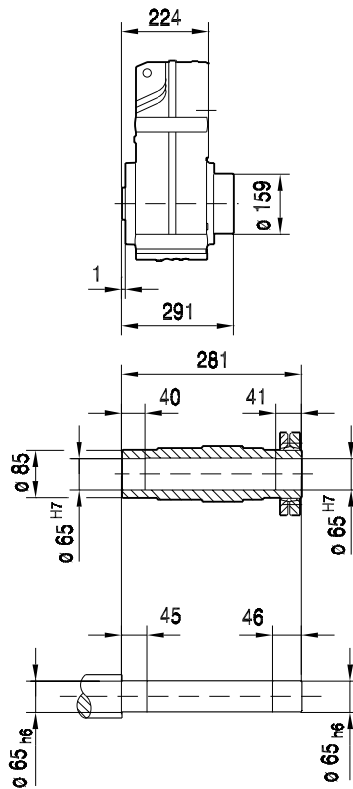
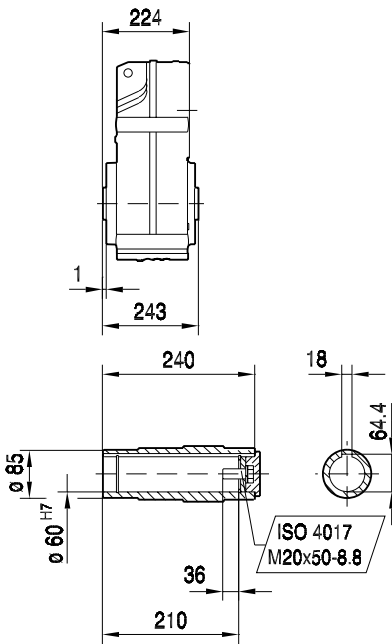
42 026 03 00



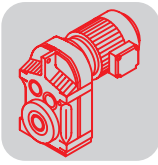
FA87 ..

FH87 ..

FV87 ..



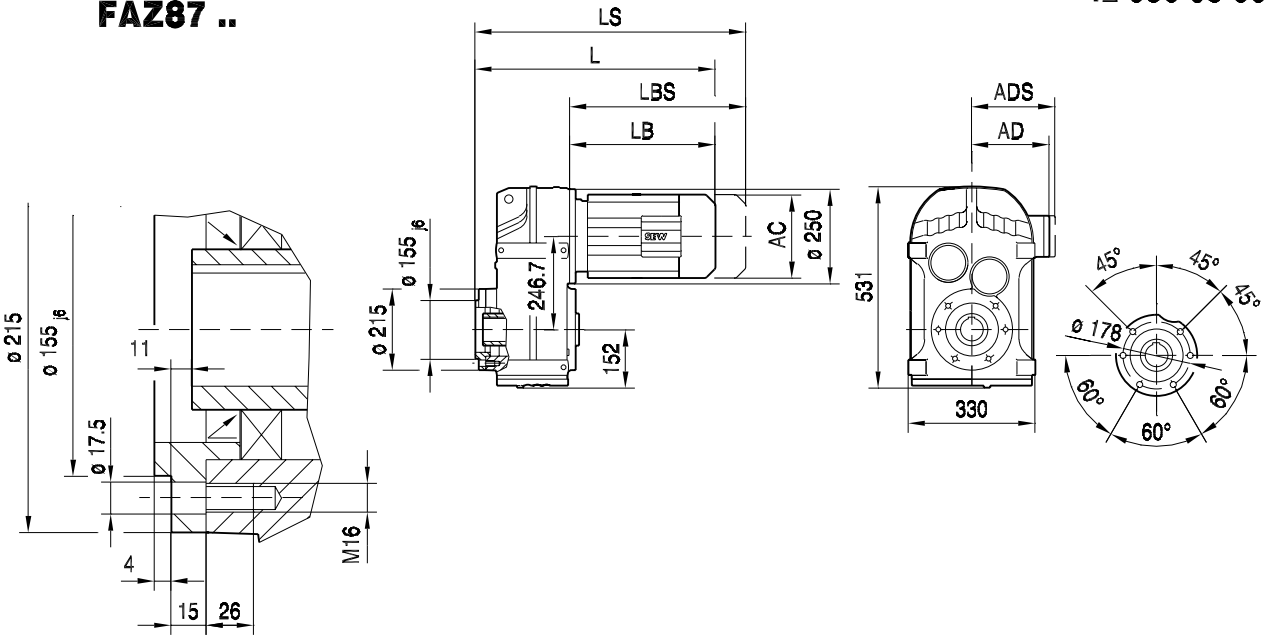
(→ 102)	DT80..	DT90..	DV100M	DV100L	DV112M	DV132S	DV132M	DV132ML	DV160M	DV160L	DV180..
AC	145	197	197	197	221	221	275	275	275	331	331
AD	122	154	166	166	179	179	230	230	230	258	258
ADS	127	161	166	166	182	182	230	230	230	258	258
L	462	481	531	561	564	609	631	691	691	738	810
LS	526	566	616	646	644	689	743	803	803	894	966
LB	238	257	307	337	340	385	407	467	467	514	586
LBS	302	342	392	422	420	465	519	579	579	670	742



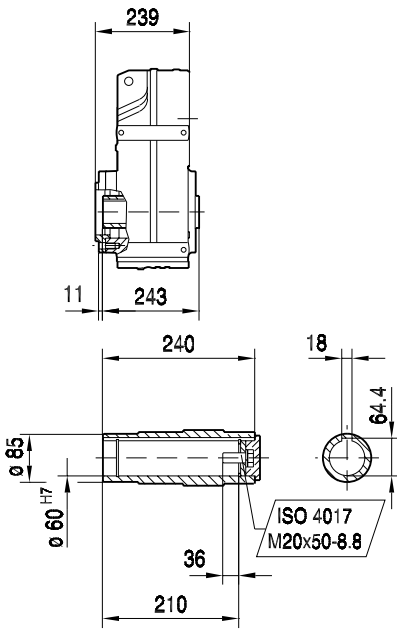
F..DR/DT/DV
F.. [mm]

42 036 03 00

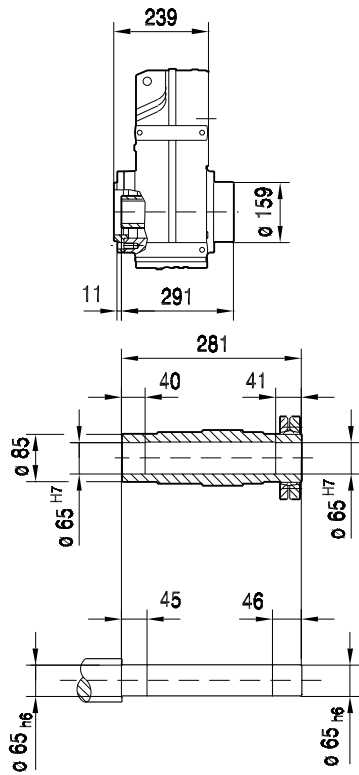
FAZ87 ..



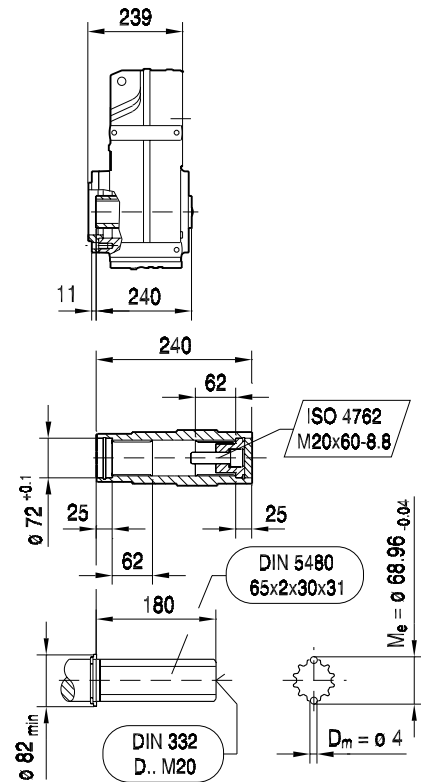
FAZ87 ..



FHZ87 ..



FVZ87 ..

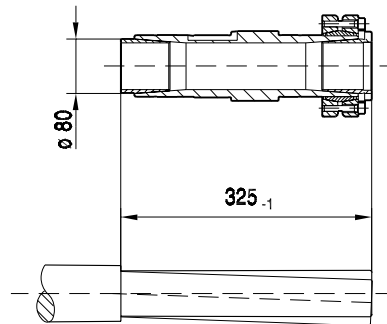
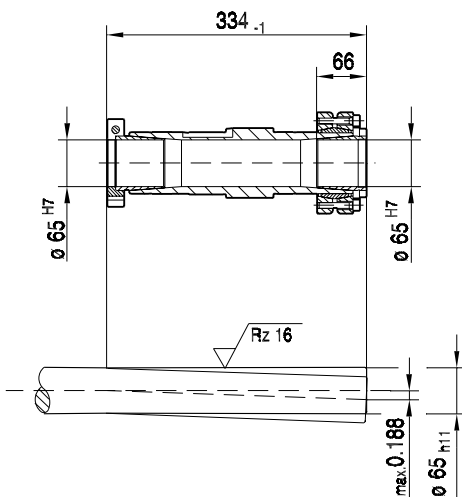
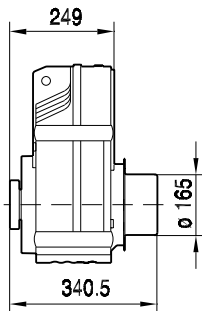
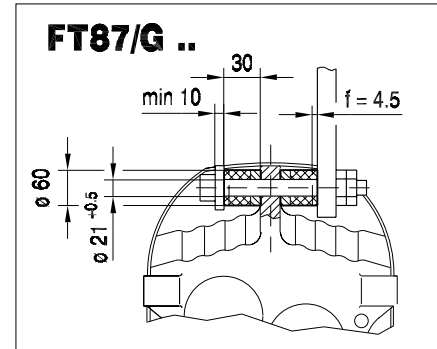
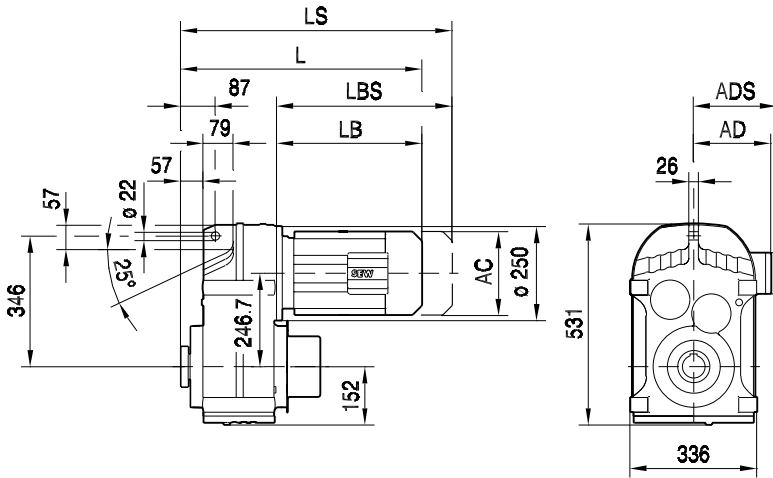


(→ 102)	DT80..	DT90..	DV100M	DV100L	DV112M	DV132S	DV132M	DV132ML	DV160M	DV160L	DV180..
AC	145	197	197	197	221	221	275	275	275	331	331
AD	122	154	166	166	179	179	230	230	230	258	258
ADS	127	161	166	166	182	182	230	230	230	258	258
L	477	496	546	576	579	624	646	706	706	753	825
LS	541	581	631	661	659	704	758	818	818	909	981
LB	238	257	307	337	340	385	407	467	467	514	586
LBS	302	342	392	422	420	465	519	579	579	670	742



42 028 00 03

FT87 ..



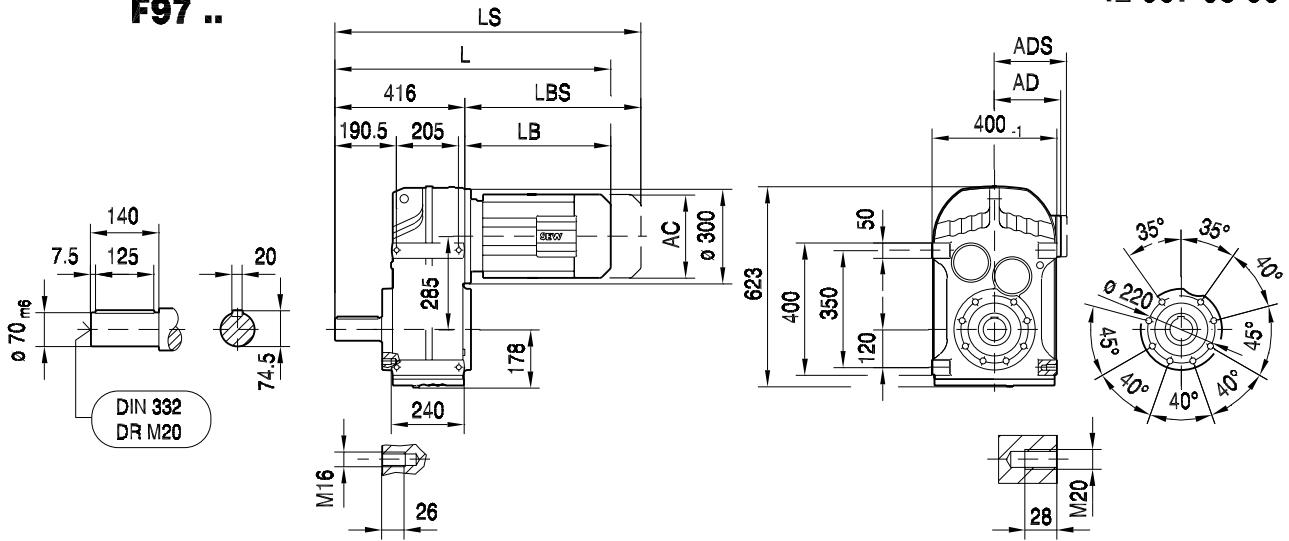
(→ 102)	DT80..	DT90..	DV100M	DV100L	DV112M	DV132S	DV132M	DV132ML	DV160M	DV160L	DV180..
AC	145	197	197	197	221	221	275	275	275	331	331
AD	122	154	166	166	179	179	230	230	230	258	258
ADS	127	161	166	166	182	182	230	230	230	258	258
L	487	506	556	586	589	634	656	716	716	763	835
LS	551	591	641	671	669	714	768	828	828	919	991
LB	238	257	307	337	340	385	407	467	467	514	586
LBS	302	342	392	422	420	465	519	579	579	670	742



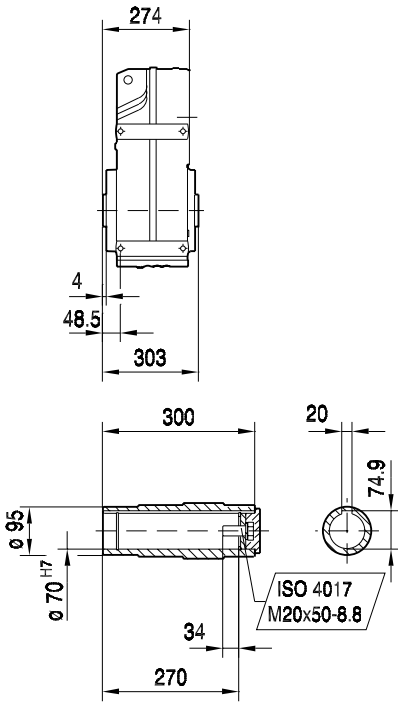
F..DR/DT/DV
F.. [mm]

42 007 03 00

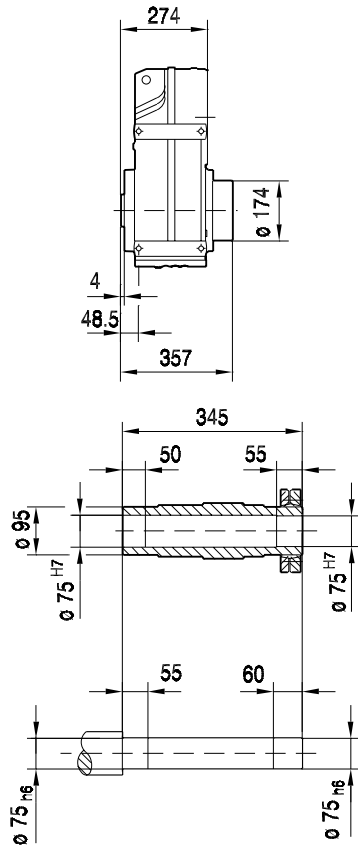
F97 ..



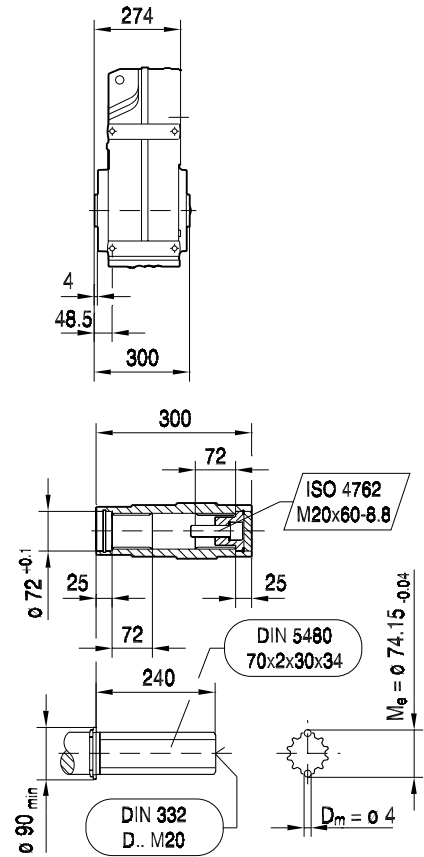
FA97B ..



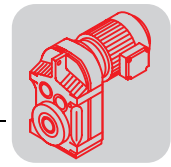
FH97B ..



FV97B ..

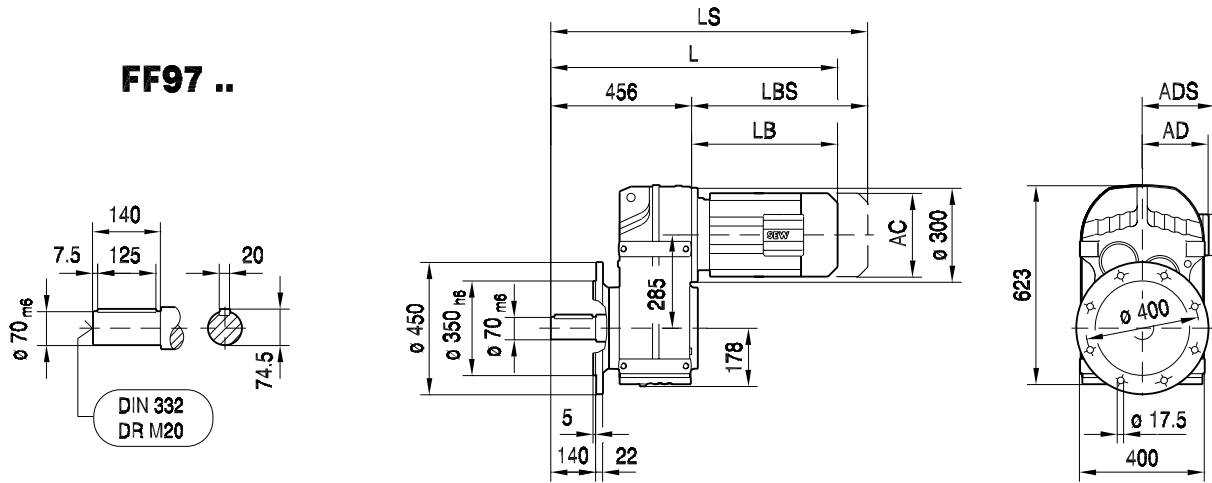


(→ 102)	DT90..	DV100M	DV100L	DV112M	DV132S	DV132M	DV132ML	DV160M	DV160L	DV180..	DV200..
AC	197	197	197	221	221	275	275	275	331	331	394
AD	154	166	166	179	179	230	230	230	258	258	285
ADS	161	166	166	182	182	230	230	230	258	258	285
L	667	717	747	751	796	818	878	878	925	997	1045
LS	752	802	832	831	876	930	990	990	1081	1153	1201
LB	251	301	331	335	380	402	462	462	509	581	629
LBS	336	386	416	415	460	514	574	574	665	737	785

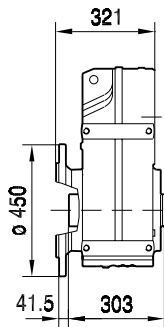


42 017 03 00

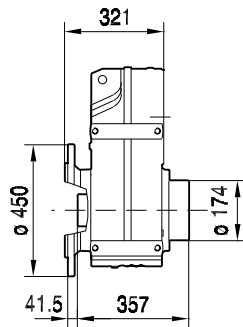
FF97 ..



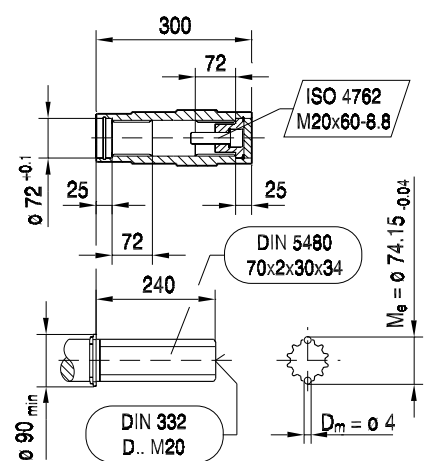
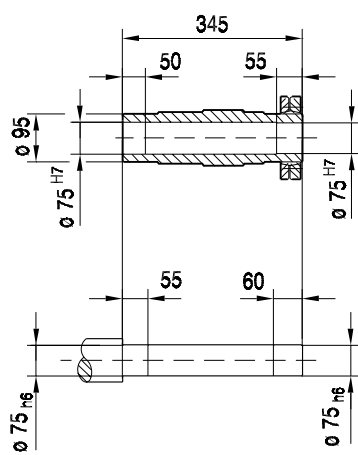
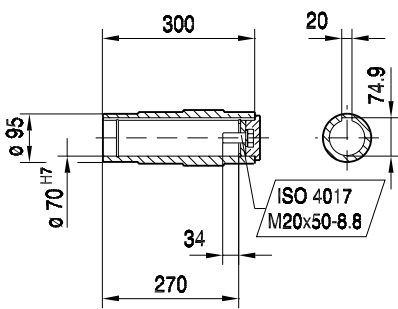
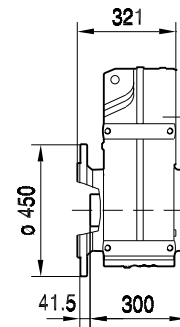
FAF97 ..



FHF97 ..



FVF97 ..



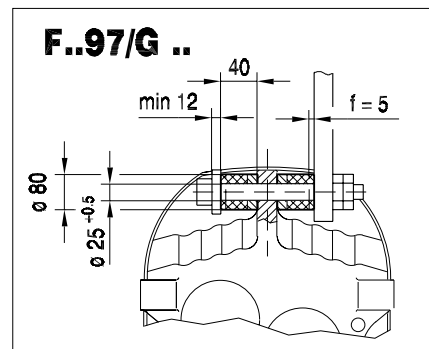
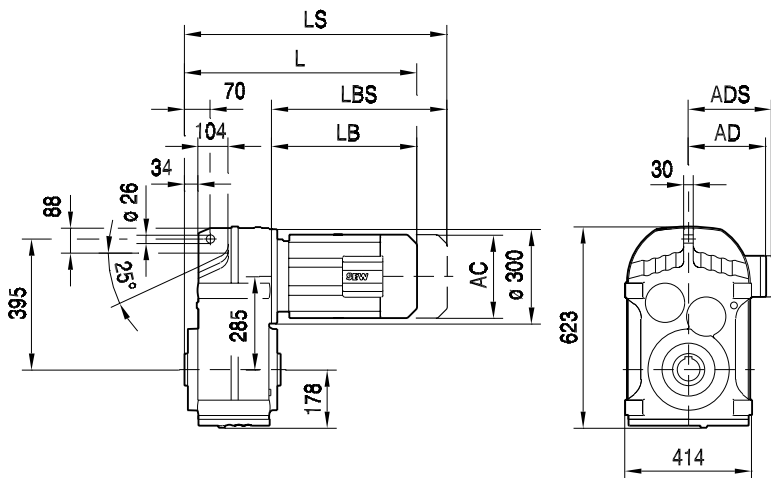
(→ 102)	DT90..	DV100M	DV100L	DV112M	DV132S	DV132M	DV132ML	DV160M	DV160L	DV180..	DV200..
AC	197	197	197	221	221	275	275	275	331	331	394
AD	154	166	166	179	179	230	230	230	258	258	285
ADS	161	166	166	182	182	230	230	230	258	258	285
L	707	757	787	791	836	858	918	918	965	1037	1085
LS	792	842	872	871	916	970	1030	1030	1121	1193	1241
LB	251	301	331	335	380	402	462	462	509	581	629
LBS	336	386	416	415	460	514	574	574	665	737	785



F..DR/DT/DV
F.. [mm]

FA97 ..

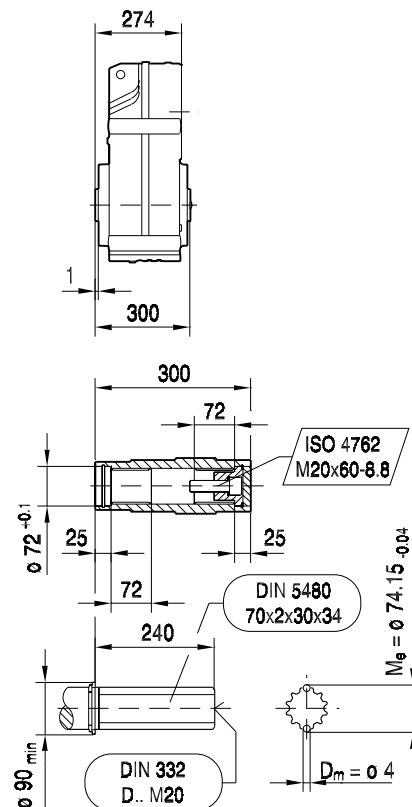
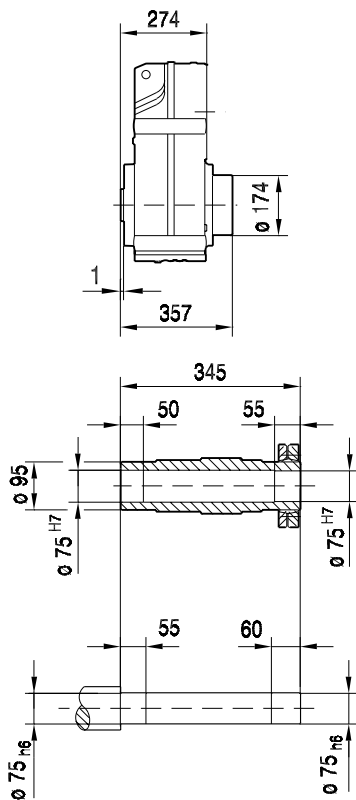
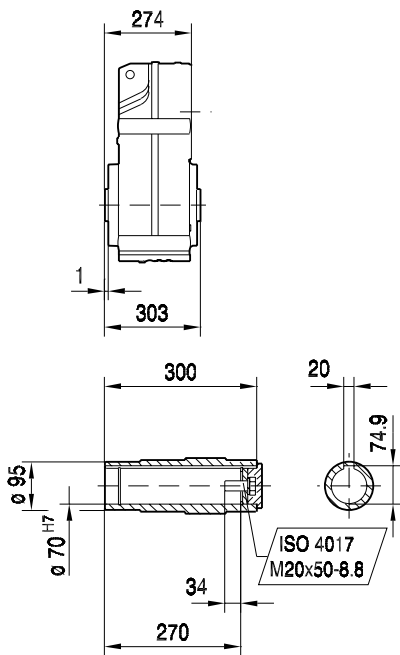
42 027 03 00



FA97 ..

FH97 ..

FV97 ..

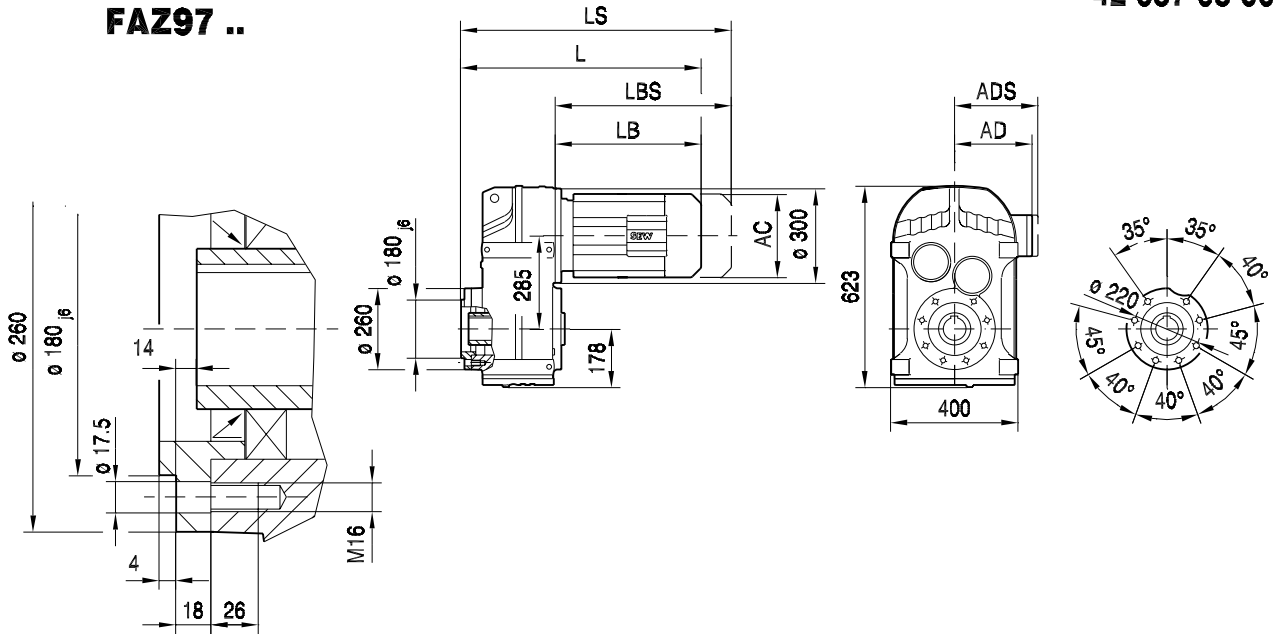


(→ 102)	DT90..	DV100M	DV100L	DV112M	DV132S	DV132M	DV132ML	DV160M	DV160L	DV180..	DV200..
AC	197	197	197	221	221	275	275	275	331	331	394
AD	154	166	166	179	179	230	230	230	258	258	285
ADS	161	166	166	182	182	230	230	230	258	258	285
L	525	575	605	609	654	676	736	736	783	855	903
LS	610	660	690	689	734	788	848	848	939	1011	1059
LB	251	301	331	335	380	402	462	462	509	581	629
LBS	336	386	416	415	460	514	574	574	665	737	785

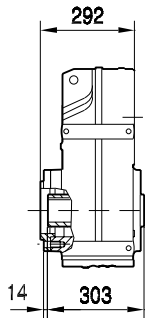


42 037 03 00

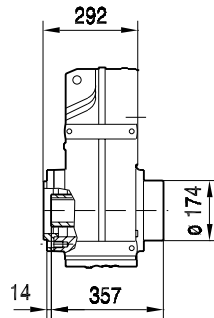
FAZ97 ..



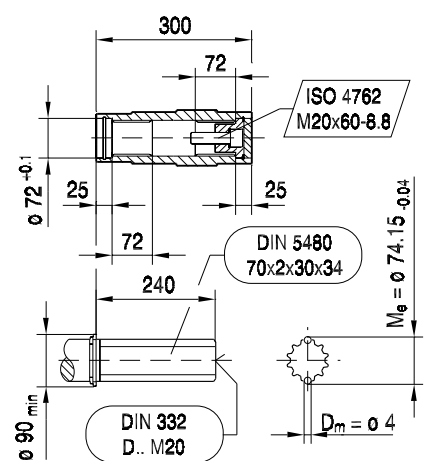
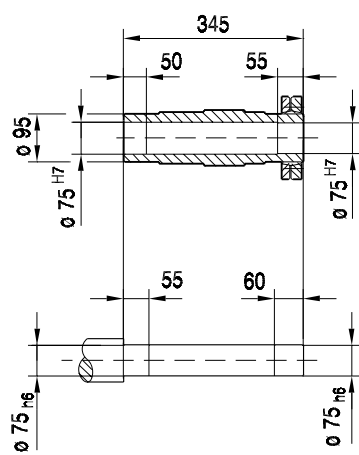
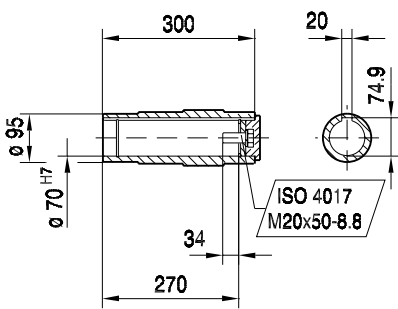
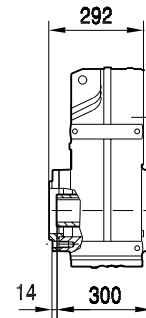
FAZ97 ..



FHZ97 ..



FVZ97 ..



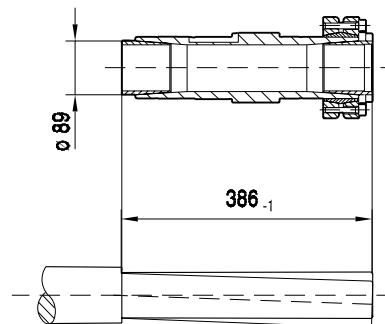
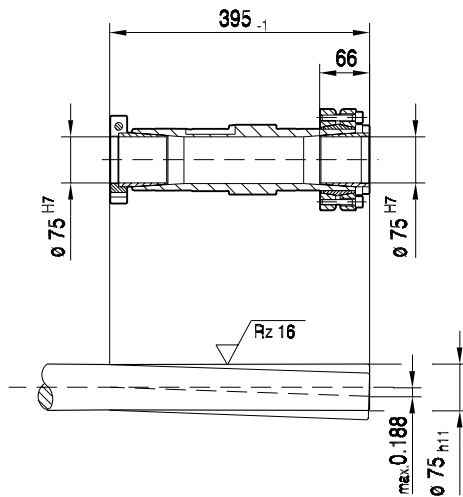
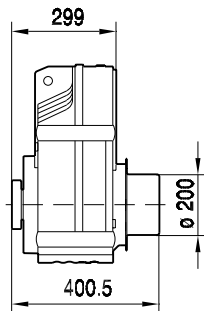
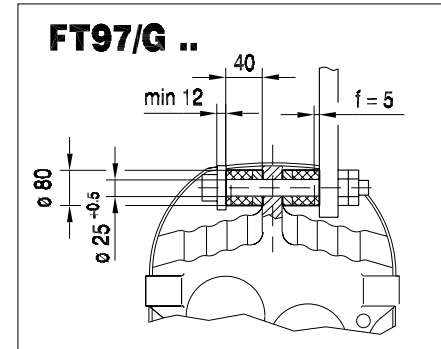
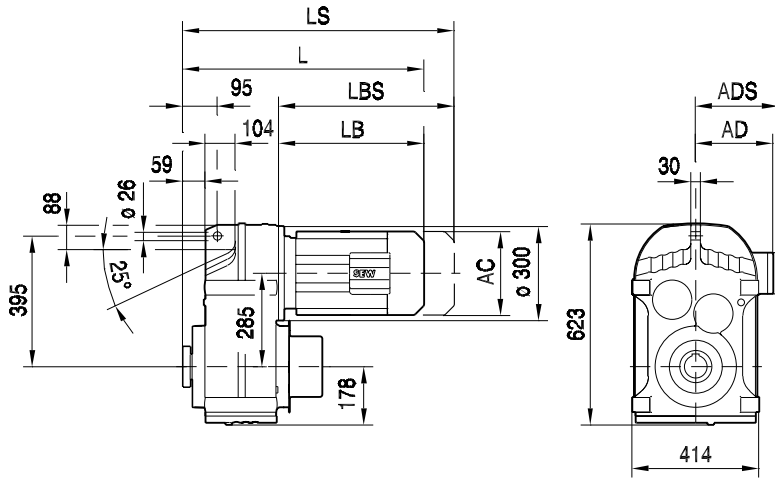
(→ 102)	DT90..	DV100M	DV100L	DV112M	DV132S	DV132M	DV132ML	DV160M	DV160L	DV180..	DV200..
AC	197	197	197	221	221	275	275	275	331	331	394
AD	154	166	166	179	179	230	230	230	258	258	285
ADS	161	166	166	182	182	230	230	230	258	258	285
L	543	593	623	627	672	694	754	754	801	873	921
LS	628	678	708	707	752	806	866	866	957	1029	1077
LB	251	301	331	335	380	402	462	462	509	581	629
LBS	336	386	416	415	460	514	574	574	665	737	785



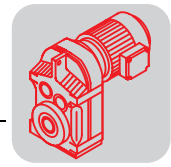
F..DR/DT/DV
F.. [mm]

42 029 00 03

FT97 ..

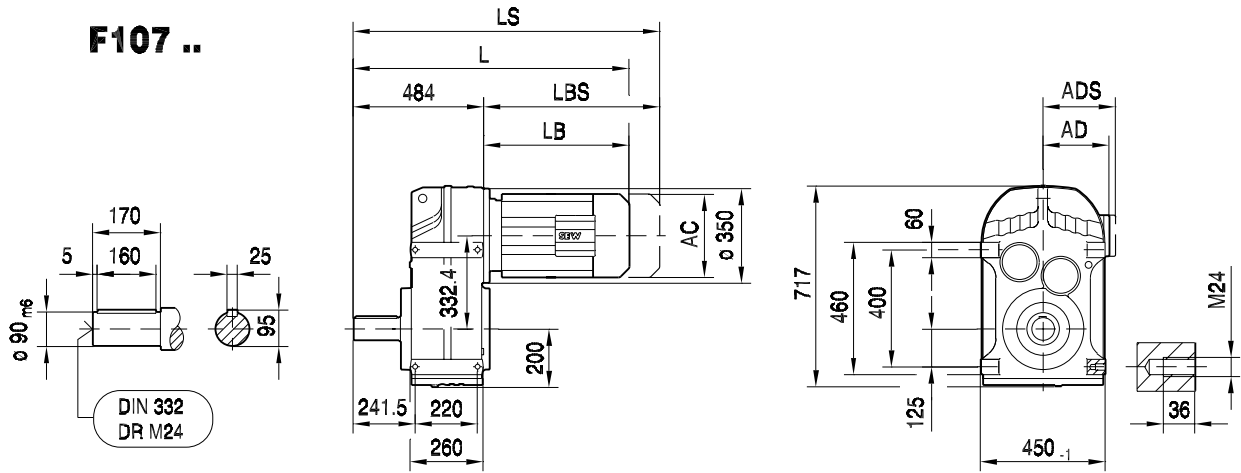


(→ 102)	DT90..	DV100M	DV100L	DV112M	DV132S	DV132M	DV132ML	DV160M	DV160L	DV180..	
AC	197	197	197	221	221	275	275	275	331	331	
AD	154	166	166	179	179	230	230	230	258	258	
ADS	161	166	166	182	182	230	230	230	258	258	
L	550	600	630	634	679	701	761	761	808	880	
LS	635	685	715	714	759	813	873	873	964	1036	
LB	251	301	331	335	380	402	462	462	509	581	
LBS	336	386	416	415	460	514	574	574	665	737	

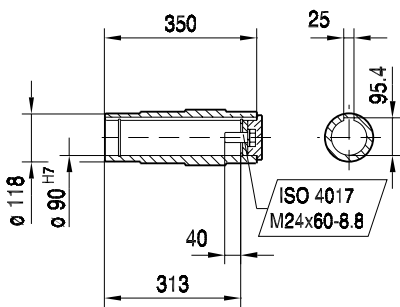
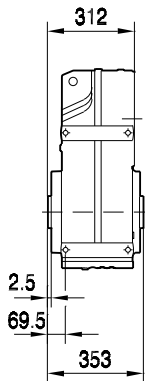


42 008 03 00

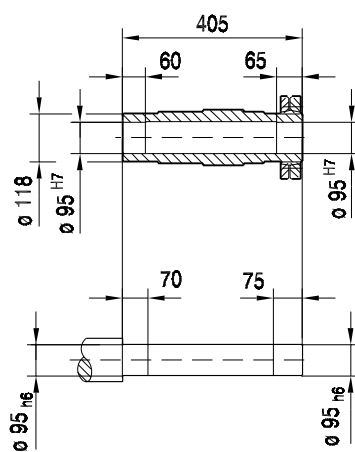
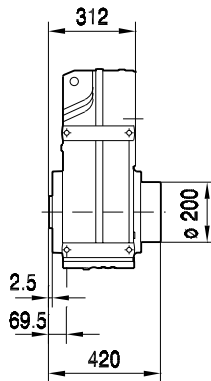
F107 ..



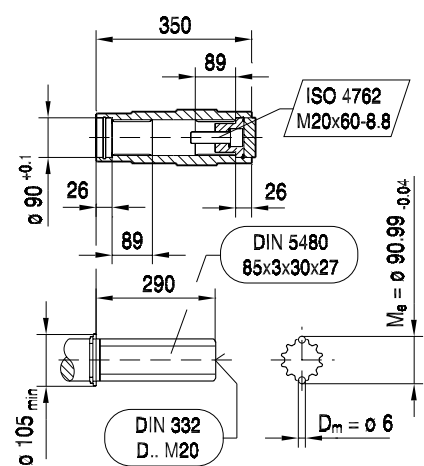
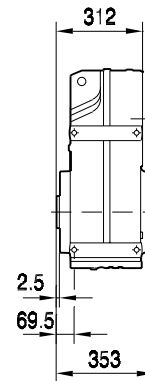
FA107B ..



FH107B ..



FV107B ..

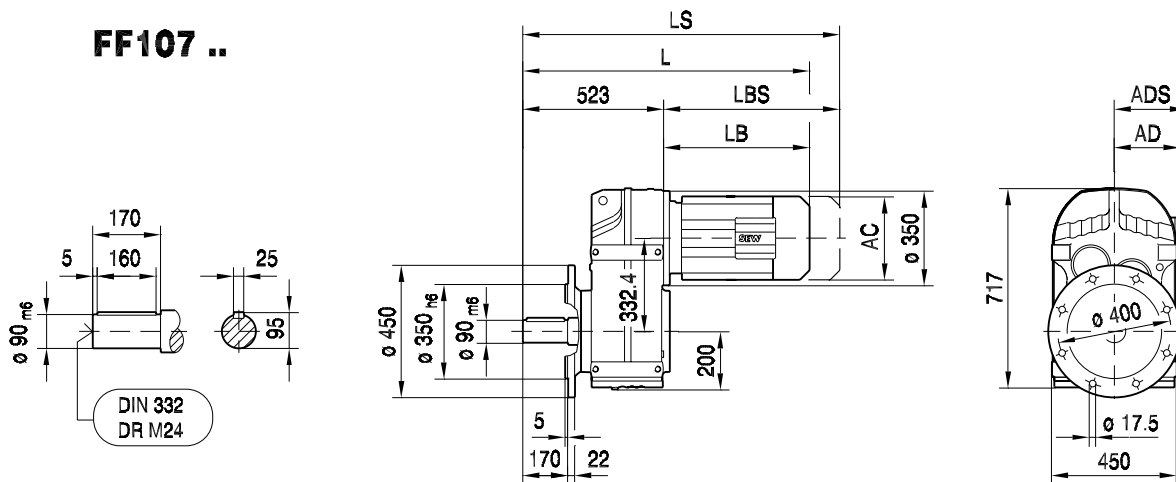


(→ 102)	DV100M	DV100L	DV112M	DV132S	DV132M	DV132ML	DV160M	DV160L	DV180..	DV200..	DV225..
AC	197	197	221	221	275	275	275	331	331	394	394
AD	166	166	179	179	230	230	230	258	258	285	289
ADS	166	166	182	182	230	230	230	258	258	285	289
L	779	809	813	858	880	940	940	987	1059	1107	1189
LS	864	894	893	938	992	1052	1052	1143	1215	1263	1345
LB	295	325	329	374	396	456	456	503	575	623	705
LBS	380	410	409	454	508	568	568	659	731	779	861

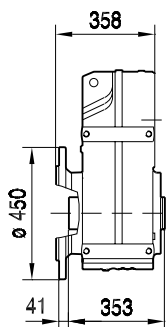


42 018 03 00

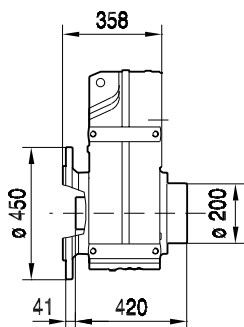
FF107 ..



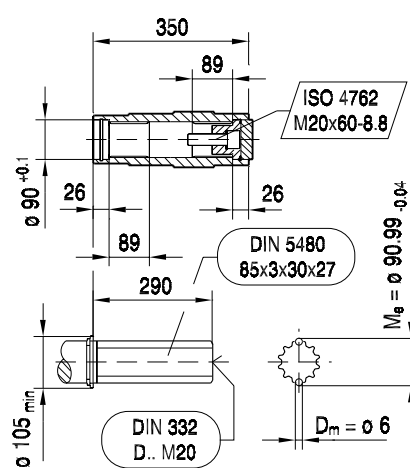
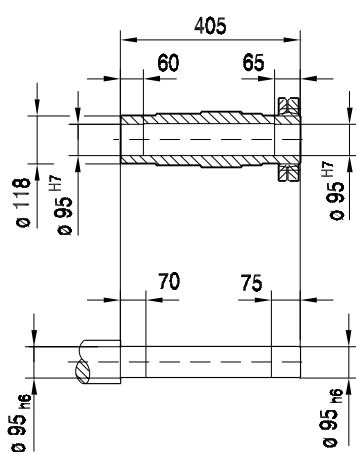
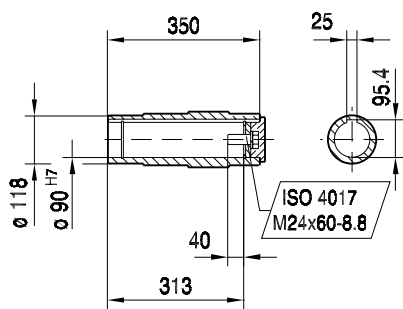
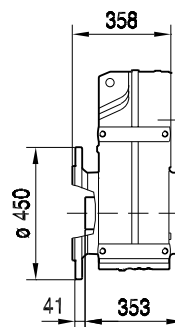
FAF107 ..



FHF107 ..



FVF107 ..

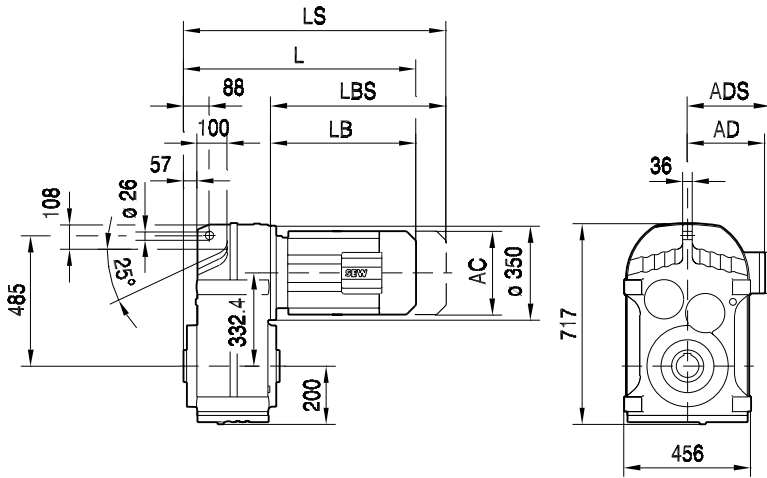


(→ 102)	DV100M	DV100L	DV112M	DV132S	DV132M	DV132ML	DV160M	DV160L	DV180..	DV200..	DV225..
AC	197	197	221	221	275	275	275	331	331	394	394
AD	166	166	179	179	230	230	230	258	258	285	289
ADS	166	166	182	182	230	230	230	258	258	285	289
L	818	848	852	897	919	979	979	1026	1098	1146	1228
LS	903	933	932	977	1031	1091	1091	1182	1254	1302	1384
LB	295	325	329	374	396	456	456	503	575	623	705
LBS	380	410	409	454	508	568	568	659	731	779	861

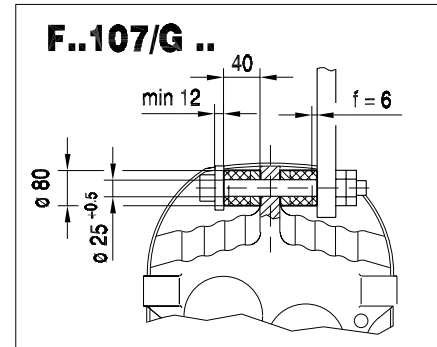


42 028 03 00

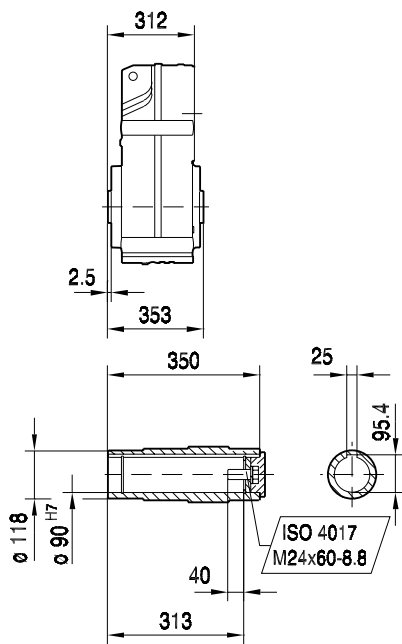
FA107 ..



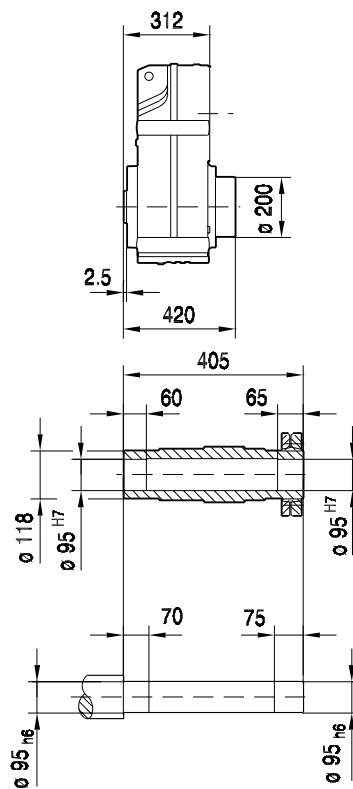
F..107/G ..



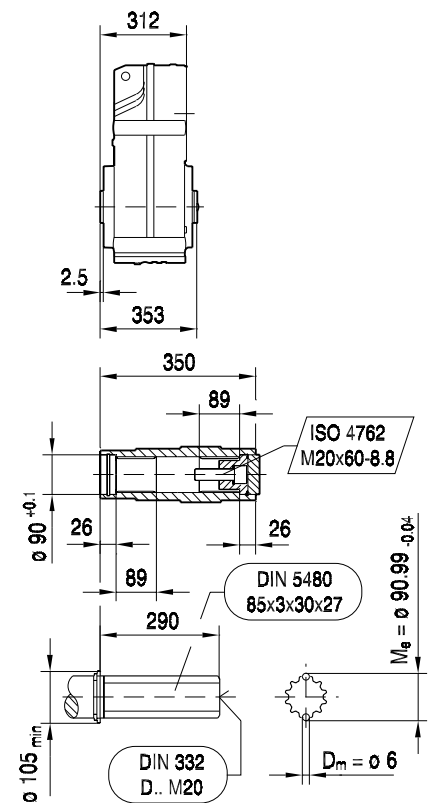
FA107 ..



FH107 ..



FV107 ..



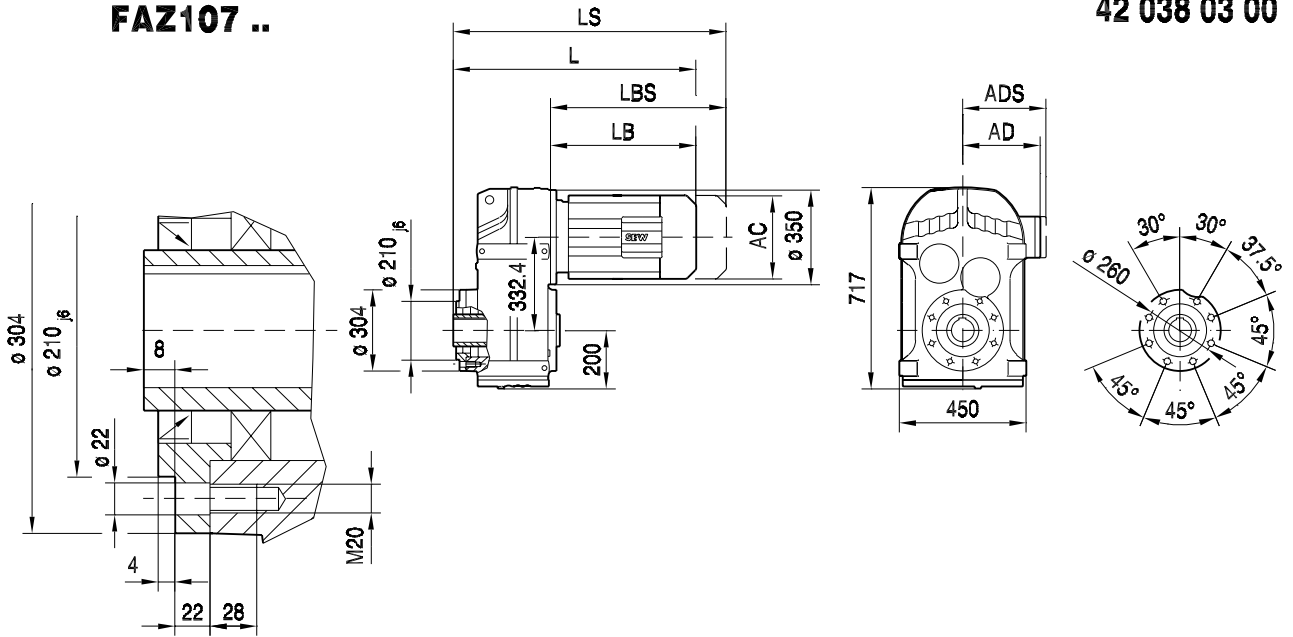
(→ 102)	DV100M	DV100L	DV112M	DV132S	DV132M	DV132ML	DV160M	DV160L	DV180..	DV200..	DV225..
AC	197	197	221	221	275	275	275	331	331	394	394
AD	166	166	179	179	230	230	230	258	258	285	289
ADS	166	166	182	182	230	230	230	258	258	285	289
L	607	637	641	686	708	768	768	815	887	935	1017
LS	692	722	721	766	820	880	880	971	1043	1091	1173
LB	295	325	329	374	396	456	456	503	575	623	705
LBS	380	410	409	454	508	568	568	659	731	779	861



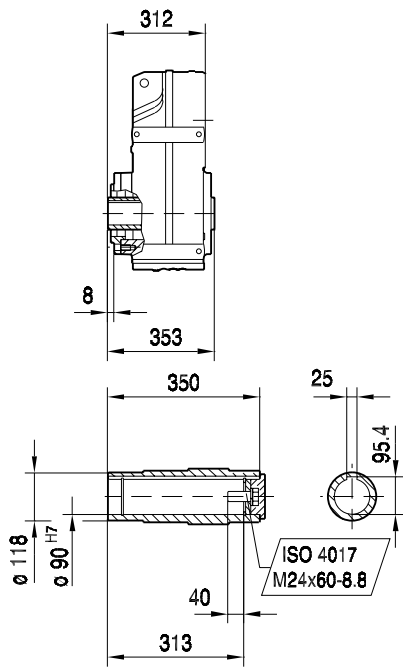
F..DR/DT/DV
F.. [mm]

42 038 03 00

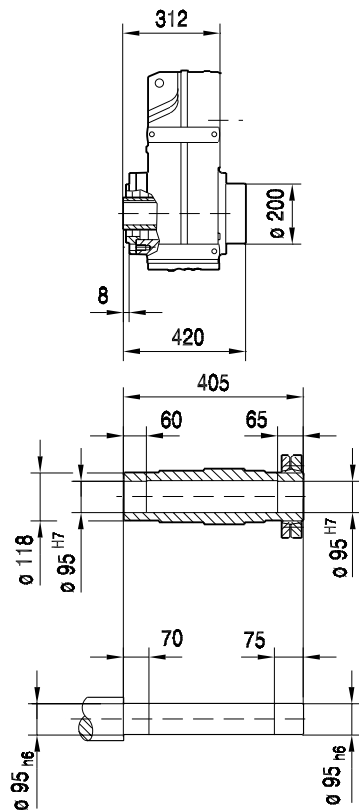
FAZ107 ..



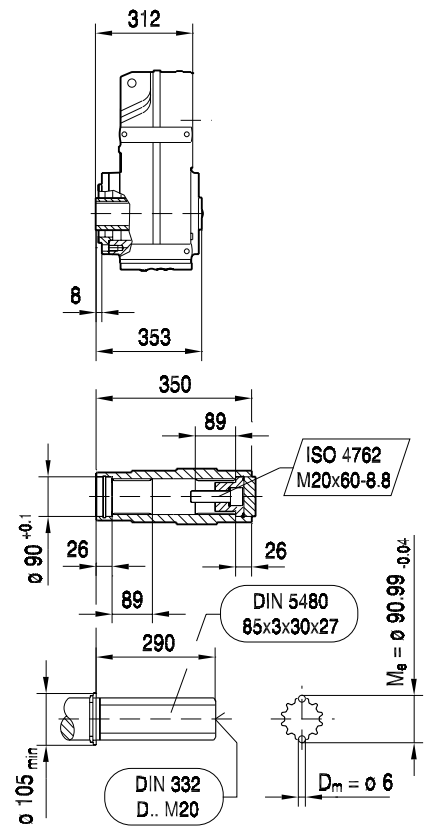
FAZ107 ..



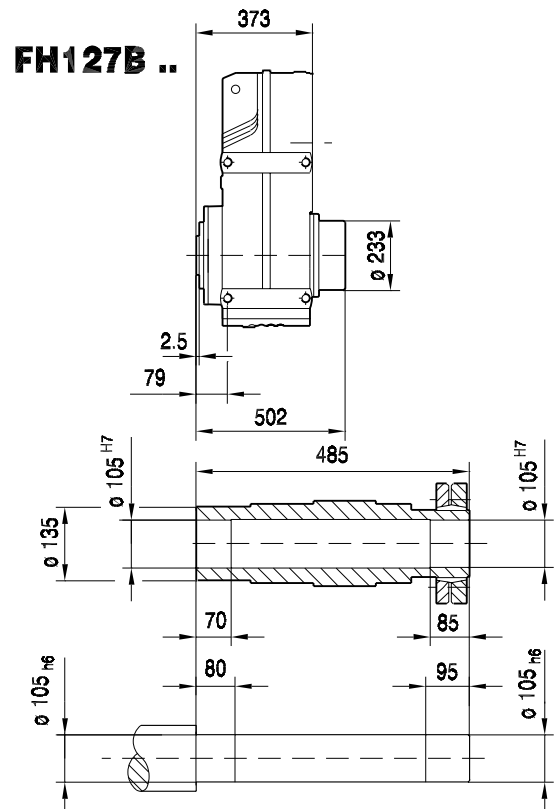
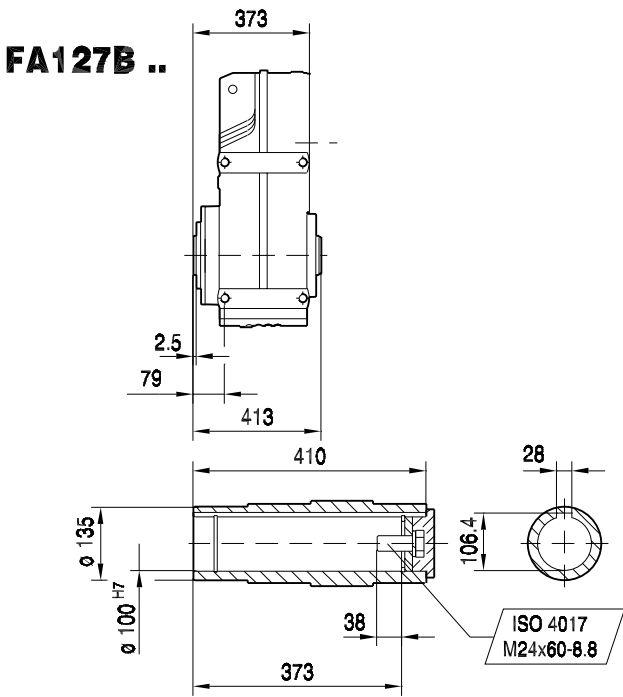
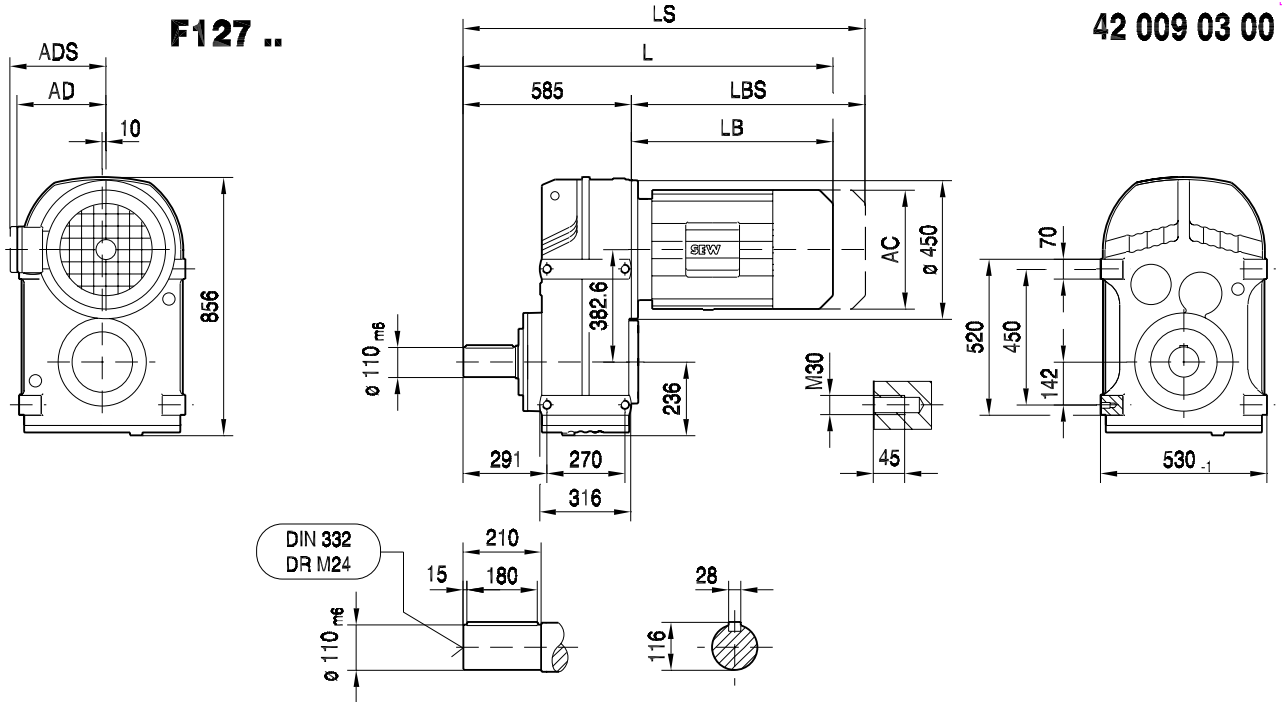
FHZ107 ..



FVZ107 ..



(→ 102)	DV100M	DV100L	DV112M	DV132S	DV132M	DV132ML	DV160M	DV160L	DV180..	DV200..	DV225..
AC	197	197	221	221	275	275	275	331	331	394	394
AD	166	166	179	179	230	230	230	258	258	285	289
ADS	166	166	182	182	230	230	230	258	258	285	289
L	607	637	641	686	708	768	768	815	887	935	1017
LS	692	722	721	766	820	880	880	971	1043	1091	1173
LB	295	325	329	374	396	456	456	503	575	623	705
LBS	380	410	409	454	508	568	568	659	731	779	861



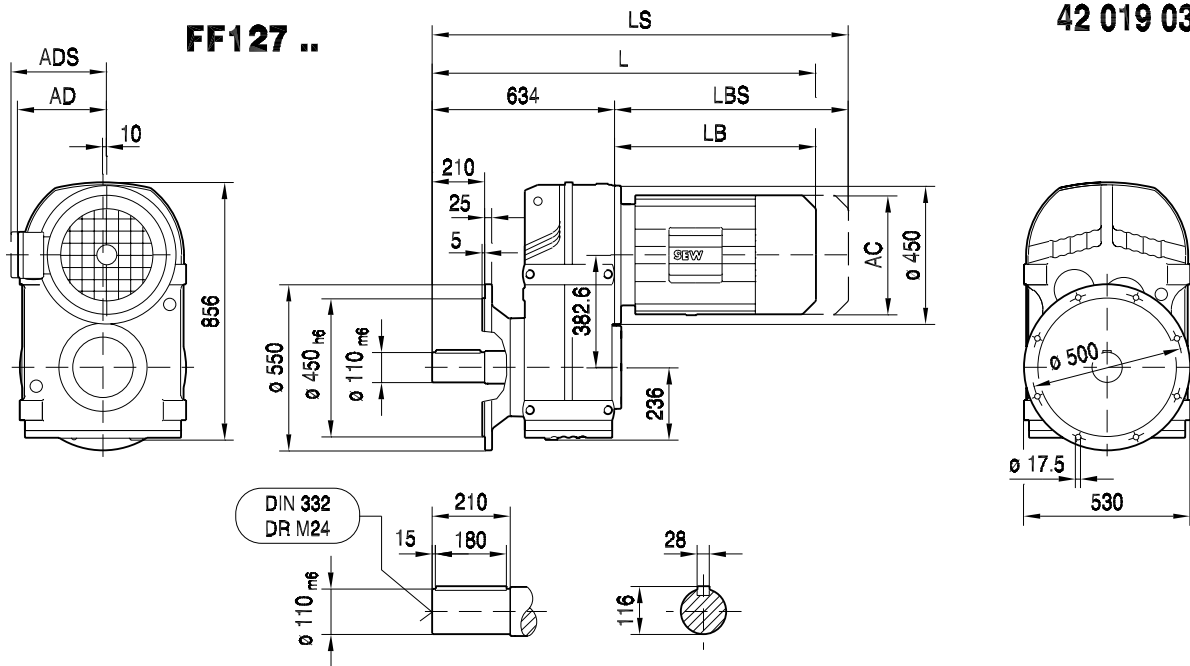
(→ 102)	DV132M	DV132ML	DV160M	DV160L	DV180..	DV200..	DV225..	DV250M	DV280S	D280M	
AC	275	275	275	331	331	394	394	510	510	537	
AD	230	230	230	258	258	285	289	397	397	382	
ADS	230	230	230	258	258	285	289	397	397	382	
L	966	1026	1026	1073	1145	1193	1275	1365	1365	1491	
LS	1078	1138	1138	1229	1301	1349	1431	1550	1550	1702	
LB	381	441	441	488	560	608	690	780	780	906	
LBS	493	553	553	644	716	764	846	965	965	1117	



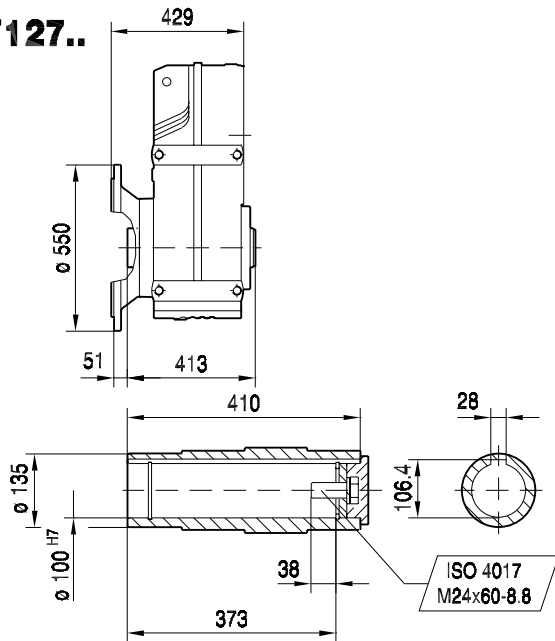
F..DR/DT/DV
F.. [mm]

42 019 03 00

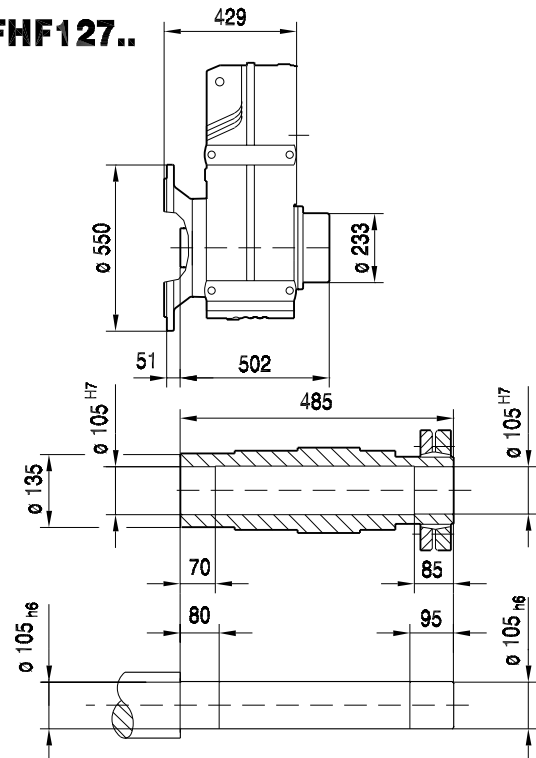
FF127 ..



FAF127..



FHF127..

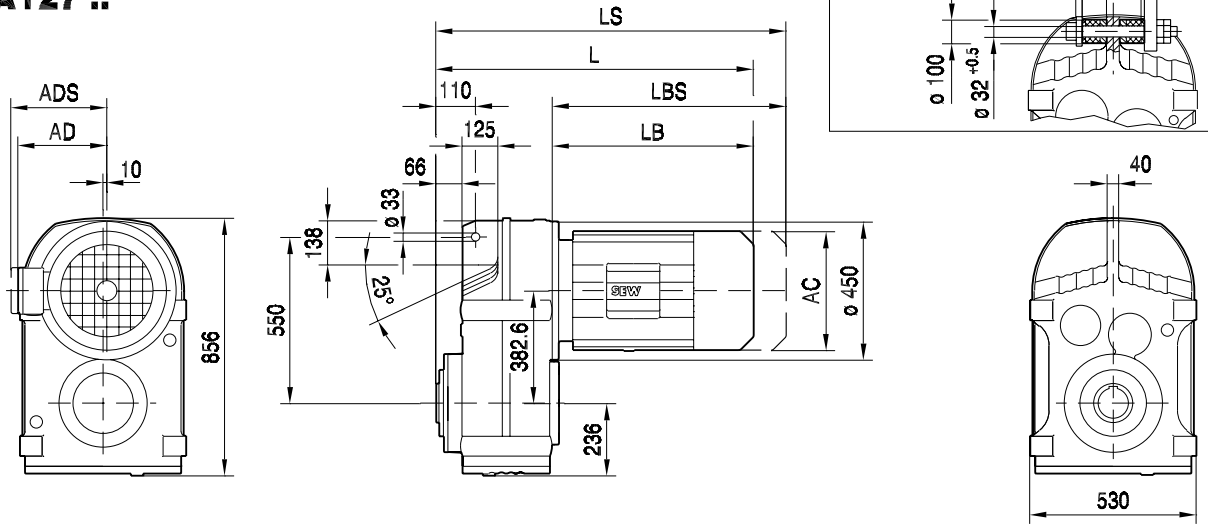


(→ 102)	DV132M	DV132ML	DV160M	DV160L	DV180..	DV200..	DV225..	DV250M	DV280S	D280M
AC	275	275	275	331	331	394	394	510	510	537
AD	230	230	230	258	258	285	289	397	397	382
ADS	230	230	230	258	258	285	289	397	397	382
L	1015	1075	1075	1122	1194	1242	1324	1414	1414	1540
LS	1127	1187	1187	1278	1350	1398	1480	1599	1599	1751
LB	381	441	441	488	560	608	690	780	780	906
LBS	493	553	553	644	716	764	846	965	965	1117

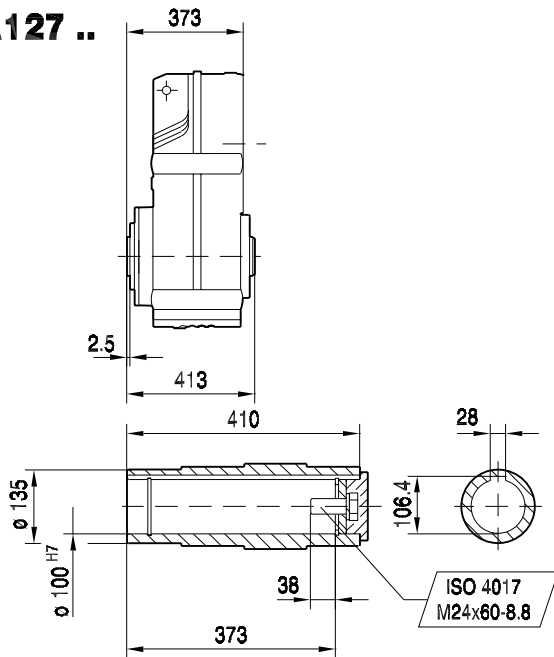


42 029 03 00

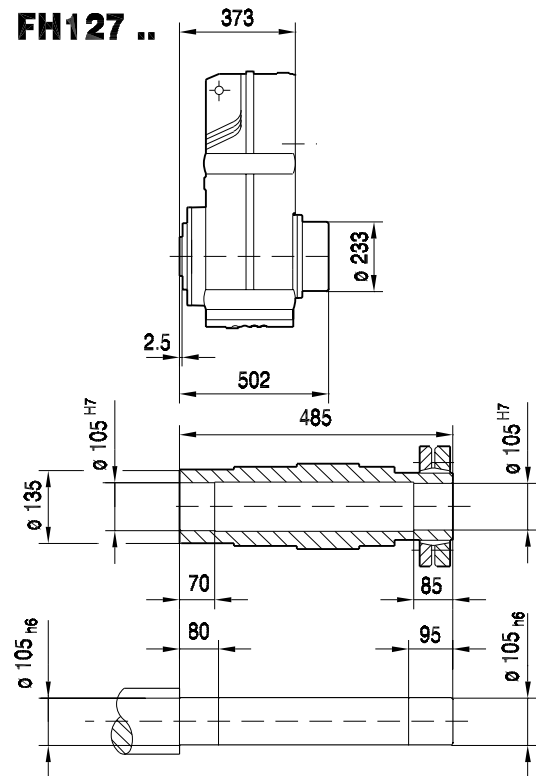
FA127 ..



FA127 ..



FH127 ..



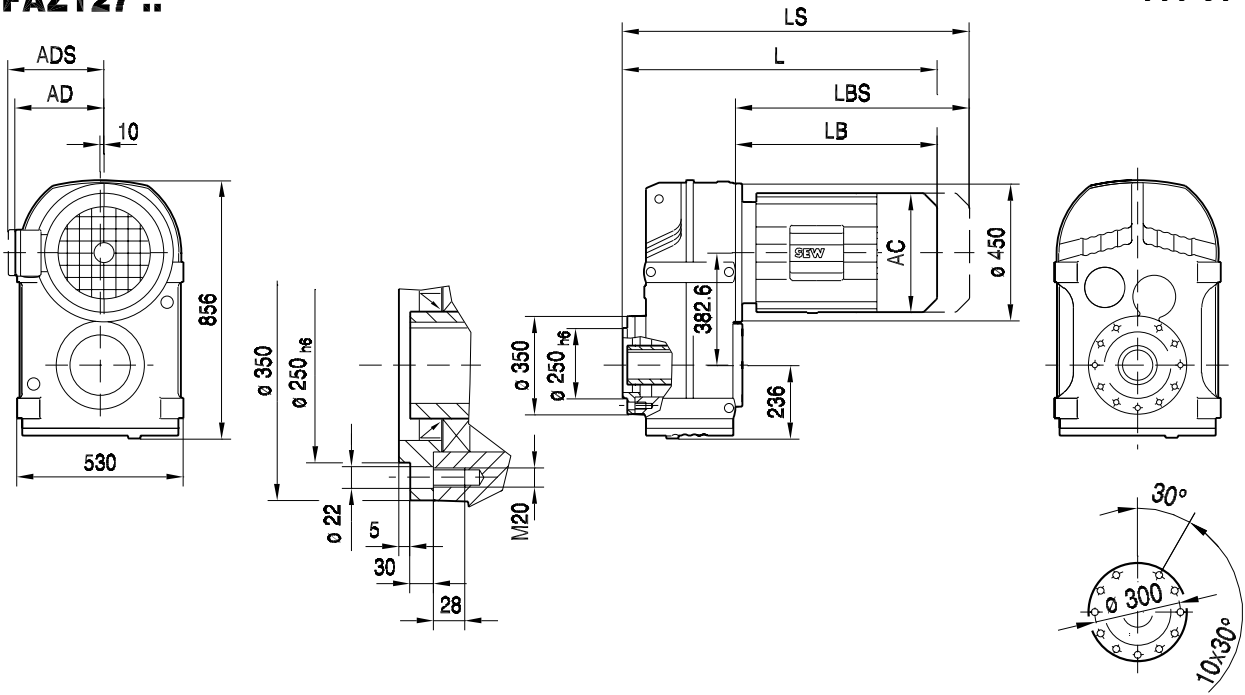
(→ 102)	DV132M	DV132ML	DV160M	DV160L	DV180..	DV200..	DV225..	DV250M	DV280S	D280M
AC	275	275	275	331	331	394	394	510	510	537
AD	230	230	230	258	258	285	289	397	397	382
ADS	230	230	230	258	258	285	289	397	397	382
L	754	814	814	861	933	981	1063	1153	1153	1279
LS	866	926	926	1017	1089	1137	1219	1338	1338	1490
LB	381	441	441	488	560	608	690	780	780	906
LBS	493	553	553	644	716	764	846	965	965	1117



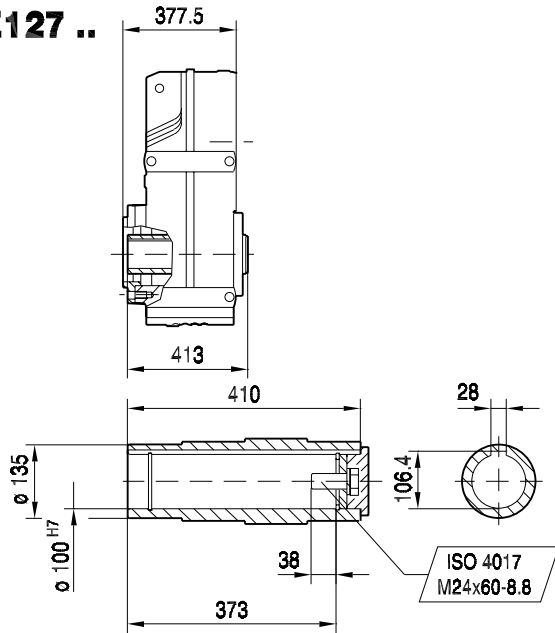
F..DR/DT/DV
F.. [mm]

42 039 03 00

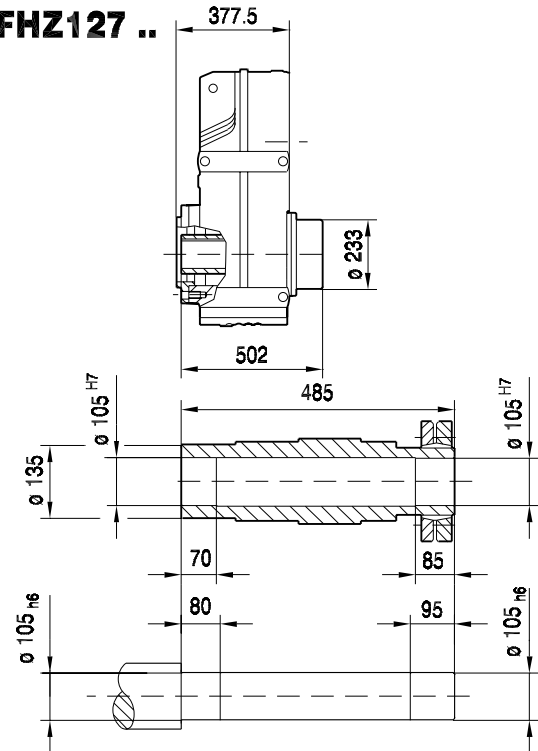
FAZ127 ..



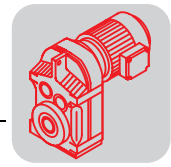
FAZ127 ..



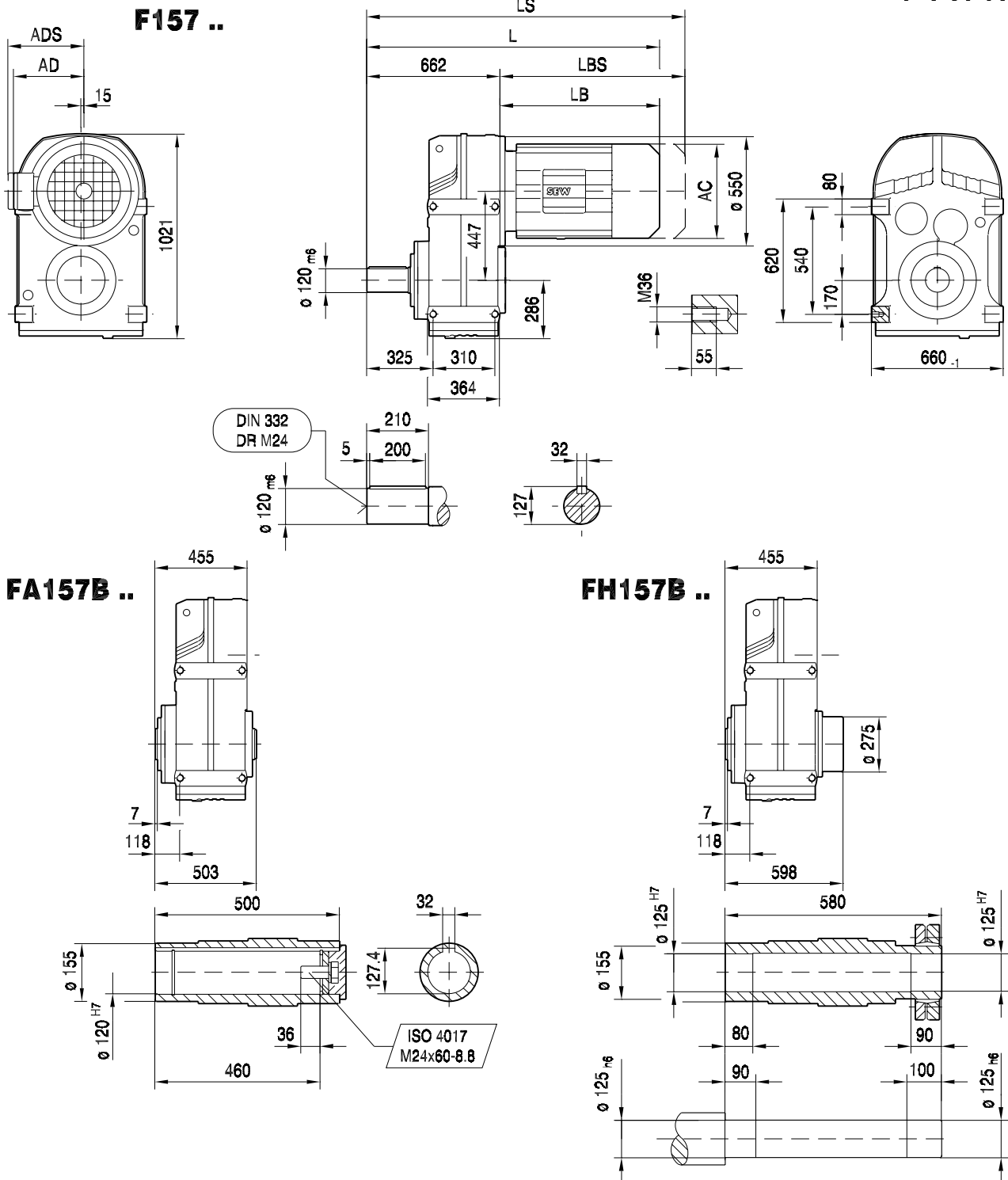
FHZ127 ..



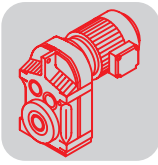
(→ 102)	DV132M	DV132ML	DV160M	DV160L	DV180..	DV200..	DV225..	DV250M	DV280S	D280M
AC	275	275	275	331	331	394	394	510	510	537
AD	230	230	230	258	258	285	289	397	397	382
ADS	230	230	230	258	258	285	289	397	397	382
L	759	819	819	866	938	986	1068	1158	1158	1284
LS	871	931	931	1022	1094	1142	1224	1342	1342	1495
LB	381	441	441	488	560	608	690	780	780	906
LBS	493	553	553	644	716	764	846	965	965	1117



42 010 03 00

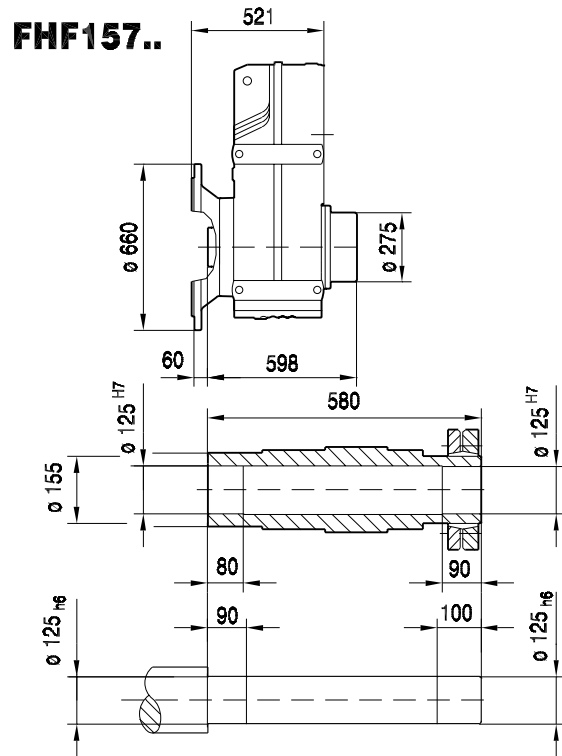
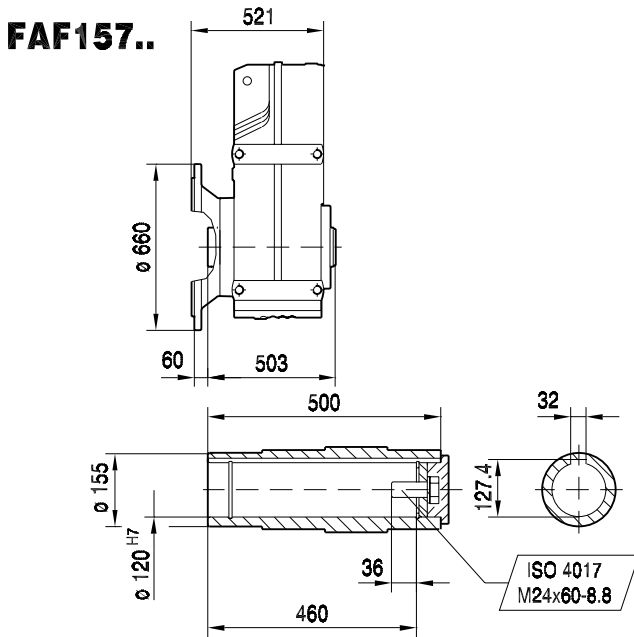
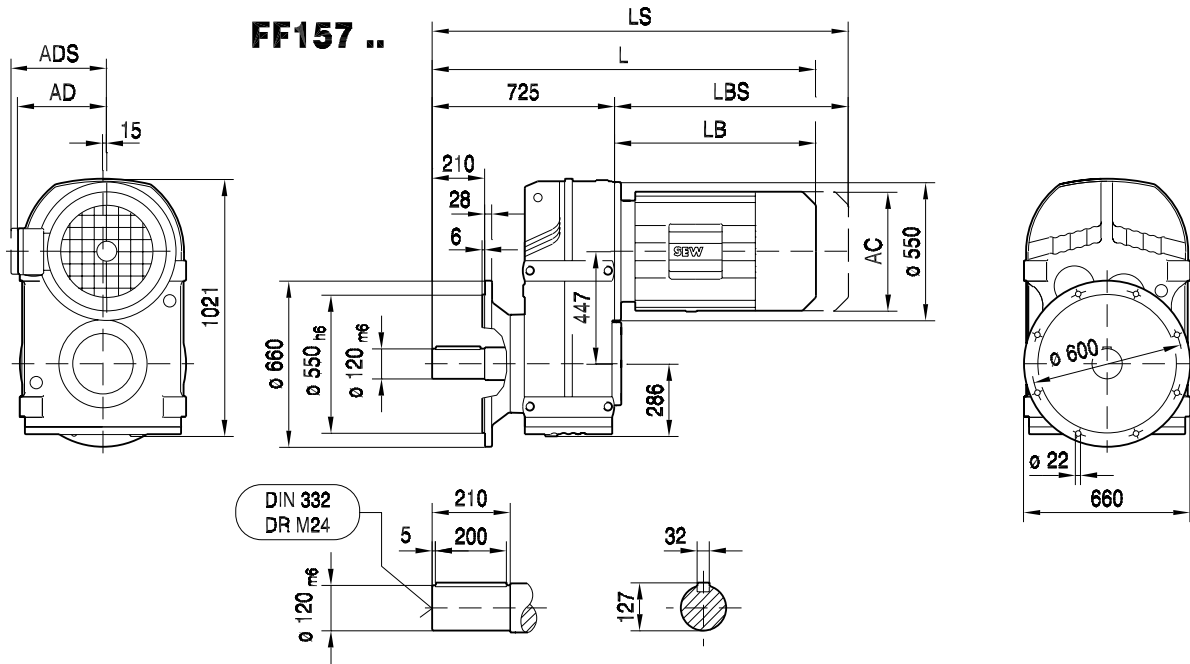


(→ 102)	DV160M	DV160L	DV180..	DV200..	DV225..	DV250M	DV280S	D280M	D315S	D315M
AC	275	331	331	394	394	510	510	537	612	612
AD	230	258	258	285	289	397	397	382	430	430
ADS	230	258	258	285	289	397	397	382	430	430
L	1095	1142	1214	1262	1344	1433	1433	1586	1637	1688
LS	1207	1298	1370	1418	1500	1618	1618	1797	1865	1916
LB	433	480	552	600	682	771	771	924	975	1026
LBS	545	636	708	756	838	956	956	1135	1203	1254



F..DR/DT/DV
F.. [mm]

42 020 03 00

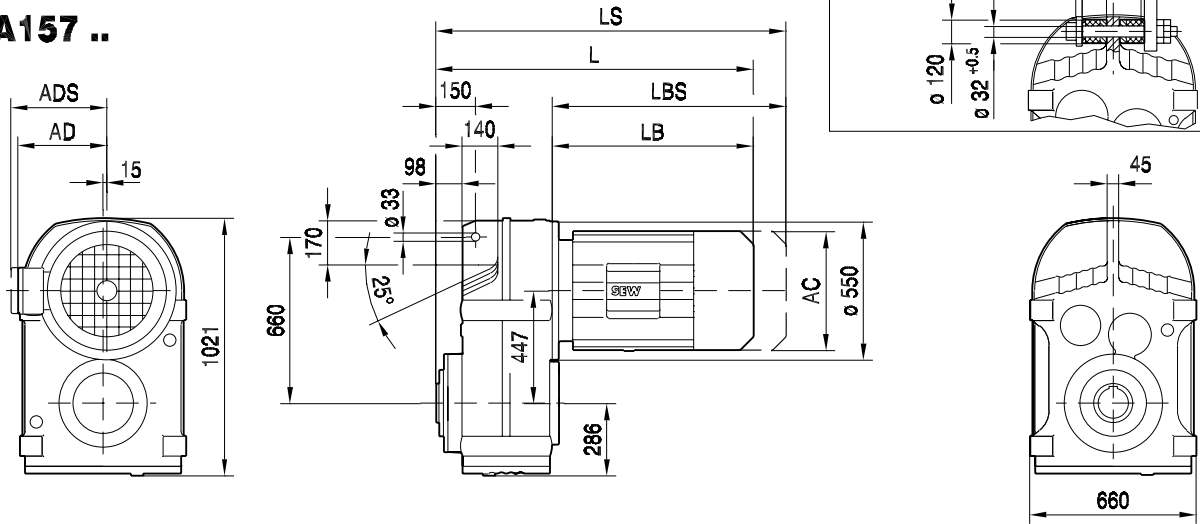


(→ 102)	DV160M	DV160L	DV180..	DV200..	DV225..	DV250M	DV280S	D280M	D315S	D315M
AC	275	331	331	394	394	510	510	537	612	612
AD	230	258	258	285	289	397	397	382	430	430
ADS	230	258	258	285	289	397	397	382	430	430
L	1158	1205	1277	1325	1407	1496	1496	1649	1700	1751
LS	1270	1361	1433	1481	1563	1681	1681	1860	1928	1979
LB	433	480	552	600	682	771	771	924	975	1026
LBS	545	636	708	756	838	956	956	1135	1203	1254

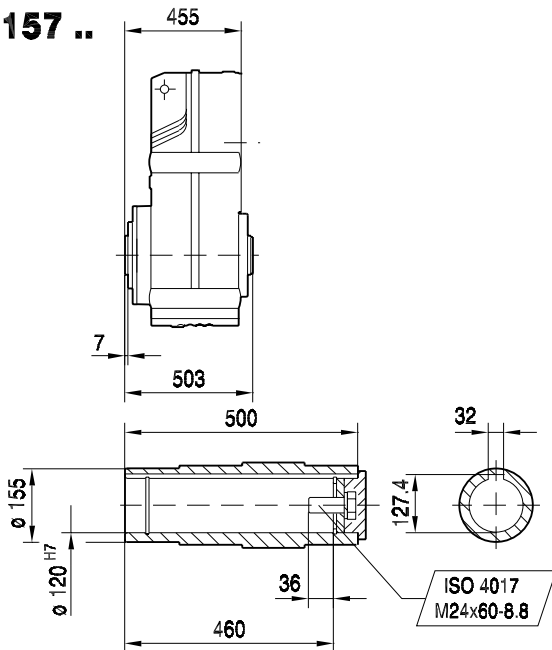


42 030 03 00

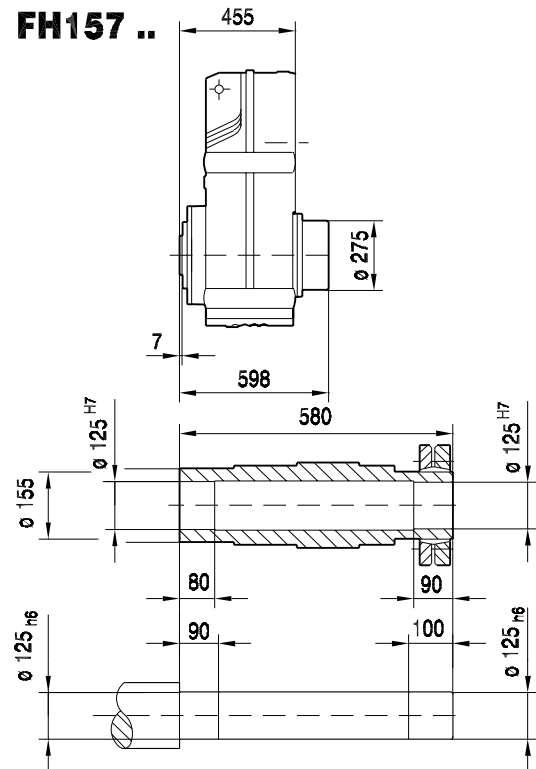
FA157 ..



FA157 ..



FH157 ..



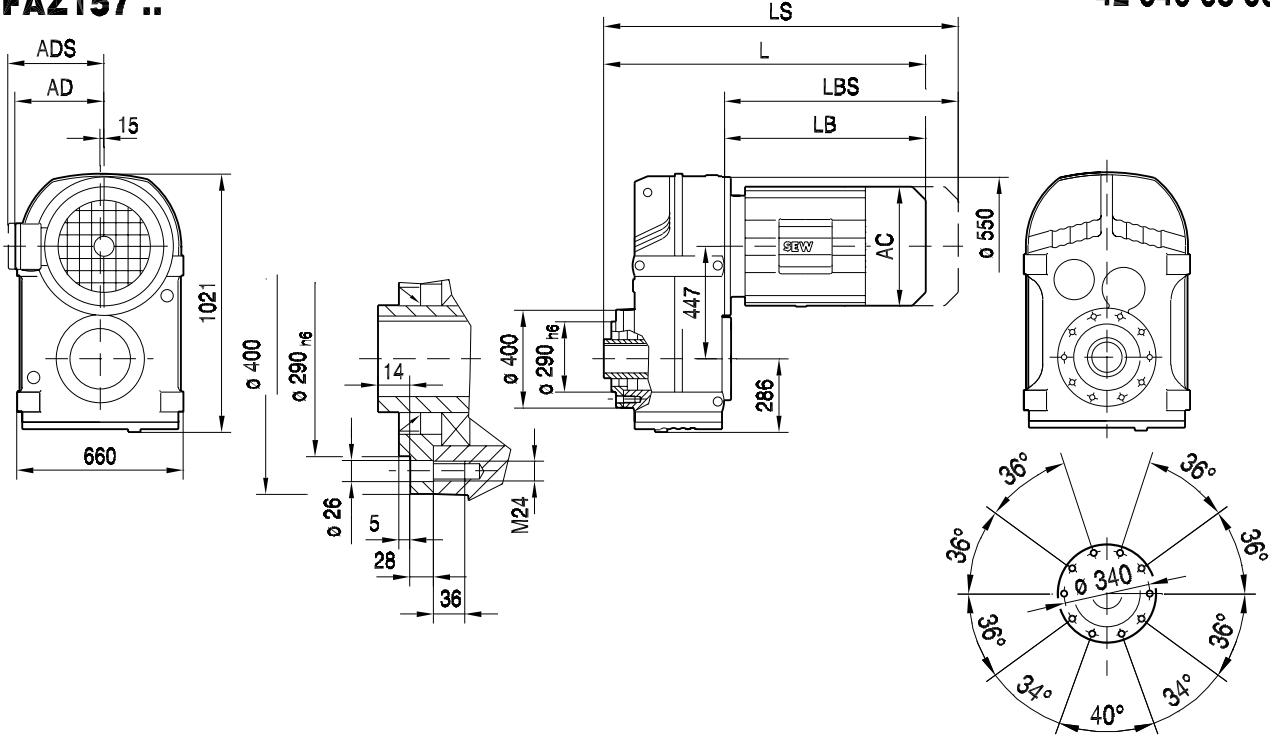
(→ 102)	DV160M	DV160L	DV180..	DV200..	DV225..	DV250M	DV280S	D280M	D315S	D315M
AC	275	331	331	394	394	510	510	537	612	612
AD	230	258	258	285	289	397	397	382	430	430
ADS	230	258	258	285	289	397	397	382	430	430
L	888	935	1007	1055	1137	1226	1226	1379	1430	1481
LS	1000	1091	1163	1211	1293	1411	1411	1590	1658	1709
LB	433	480	552	600	682	771	771	924	975	1026
LBS	545	636	708	756	838	956	956	1135	1203	1254



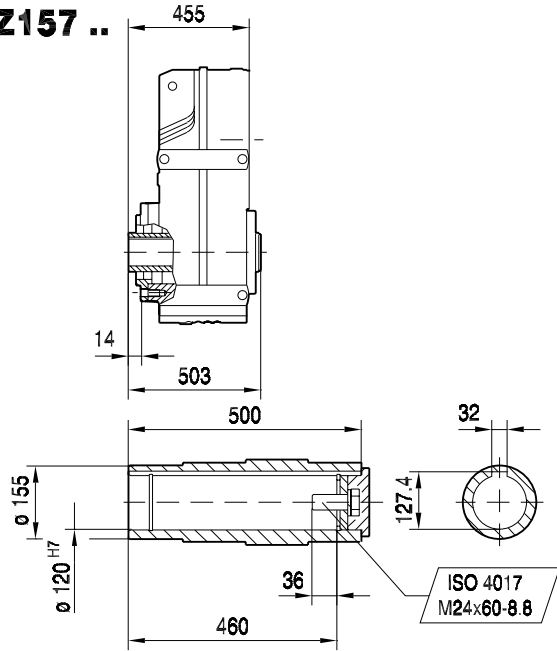
F..DR/DT/DV
F.. [mm]

42 040 03 00

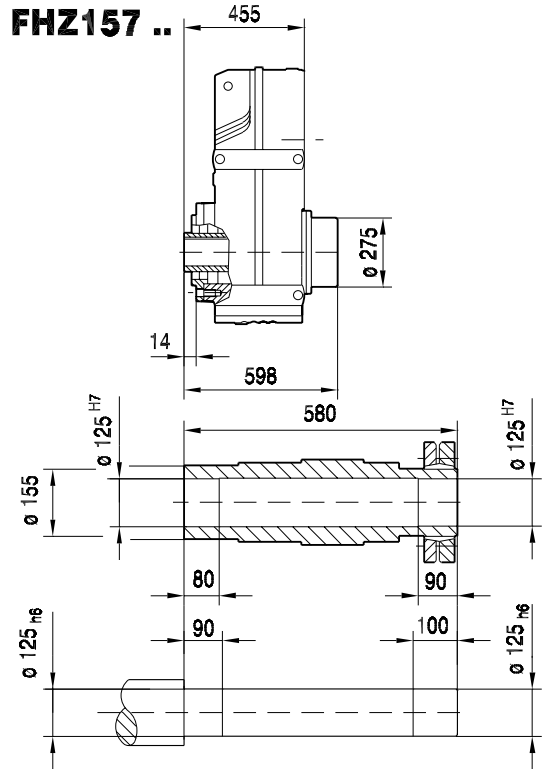
FAZ157 ..



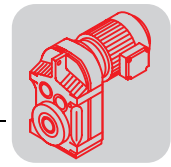
FAZ157 ..



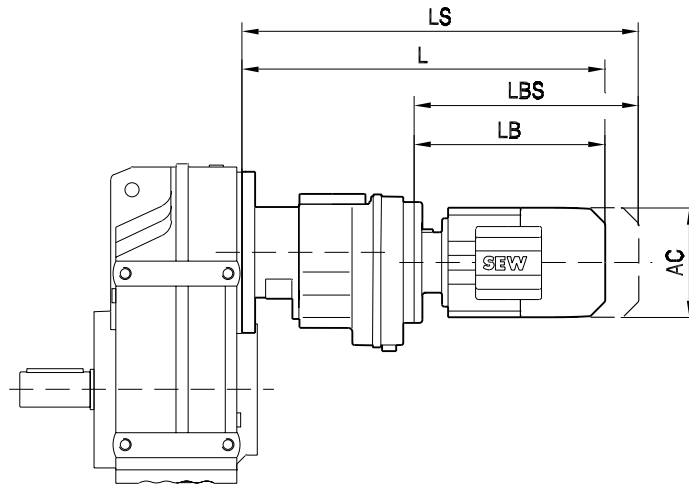
FHZ157 ..



(→ 102)	DV160M	DV160L	DV180..	DV200..	DV225..	DV250M	DV280S	D280M	D315S	D315M
AC	275	331	331	394	394	510	510	537	612	612
AD	230	258	258	285	289	397	397	382	430	430
ADS	230	258	258	285	289	397	397	382	430	430
L	888	935	1007	1055	1137	1226	1226	1379	1430	1481
LS	1000	1091	1163	1211	1293	1411	1411	1590	1658	1709
LB	433	480	552	600	682	771	771	924	975	1026
LBS	545	636	708	756	838	956	956	1135	1203	1254



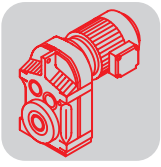
42 041 02 00



(→ 102)		AC	L	LS	LB	LBS
F..37R17 F..47R17	DR63..	132	324	379	149	204
	DT71D	145	339	403	164	228
	DT80..	145	389	453	214	278
F..57R37	DR63..	132	356	411	191	246
	DT71D	145	371	435	206	270
	DT80..	145	421	485	256	320
F..67R37	DR63..	132	356	411	191	246
	DT71D	145	371	435	206	270
	DT80..	145	421	485	256	320
	DT90..	197	441	526	276	361
F..77R37	DR63..	132	348	403	191	246
	DT71D	145	363	427	206	270
	DT80..	145	413	477	256	320
F..87R57	DR63..	132	401	456	185	240
	DT71D	145	415	479	199	263
	DT80..	145	465	529	249	313
	DT90..	197	485	570	269	354
	DV100M	197	535	620	319	404
	DV100L	197	565	650	349	434
F..97R57	DR63..	132	396	451	185	240
	DT71D	145	410	474	199	263
	DT80..	145	460	524	249	313
	DT90..	197	480	565	269	354
	DV100M	197	530	615	319	404
	DV100L	197	560	645	349	434
F..107R77	DR63..	132	426	481	179	234
	DT71D	145	440	504	193	257
	DT80..	145	490	554	243	307
	DT90..	197	508	593	261	346
	DV100M	197	558	643	311	396
	DV100L	197	588	673	341	426
	DV112M	221	592	672	345	425
	DV132S	221	637	717	390	470
	DV132M	275	659	771	412	524
	DV132ML	275	719	831	472	584
DV160M	275	719	831	472	584	

(→ 102)		AC	L	LS	LB	LBS
F..127R77	DR63..	132	411	466	179	234
	DT71D	145	425	489	193	257
	DT80..	145	475	539	243	307
	DT90..	197	493	578	261	346
	DV100M	197	543	628	311	396
	DV100L	197	573	658	341	426
	DV112M	221	577	657	345	425
	DV132S	221	622	702	390	470
	DV132M	275	644	756	412	524
	DV132ML	275	704	816	472	584
F..127R87	DV160M	275	704	816	472	584
	DT90..	197	537	622	257	342
	DV100M	197	587	672	307	392
	DV100L	197	617	702	337	422
	DV112M	221	620	700	340	420
	DV132S	221	665	745	385	465
	DV132M	275	687	799	407	519
	DV132ML	275	747	859	467	579
	DV160M	275	747	859	467	579
	DV160L	331	794	950	514	670
F..157R97	DV180..	331	866	1022	586	742
	DT80..	145	556	620	231	295
	DT90..	197	576	661	251	336
	DV100M	197	626	711	301	386
	DV100L	197	656	741	331	416
	DV112M	221	660	740	335	415
	DV132S	221	705	785	380	460
	DV132M	275	727	839	402	514
	DV132ML	275	787	899	462	574
	DV160M	275	787	899	462	574
DV160L	331	834	990	509	665	
DV180..	331	906	1062	581	737	
DV200..	394	954	1110	629	785	

9



F..DR/DT/DV
F.. [mm]
